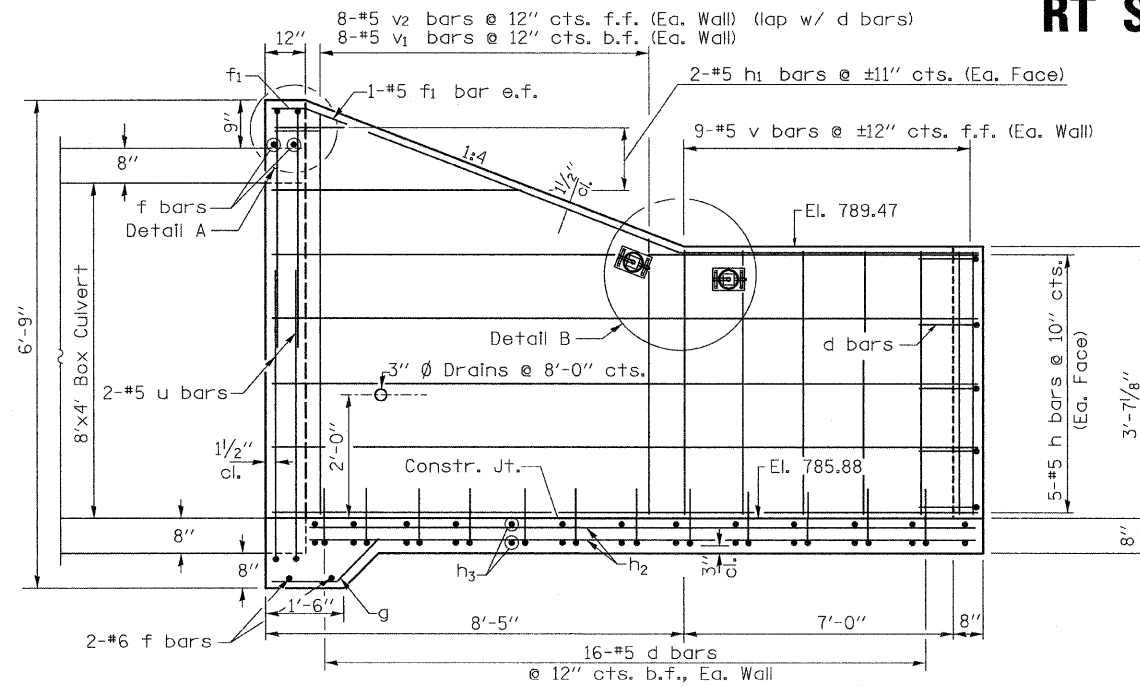


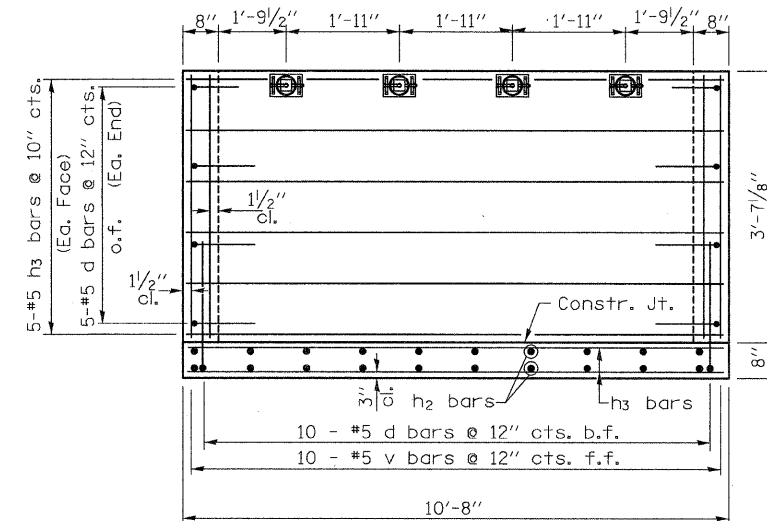
DROP BOX NO. 2

RT STA. 138 + 18

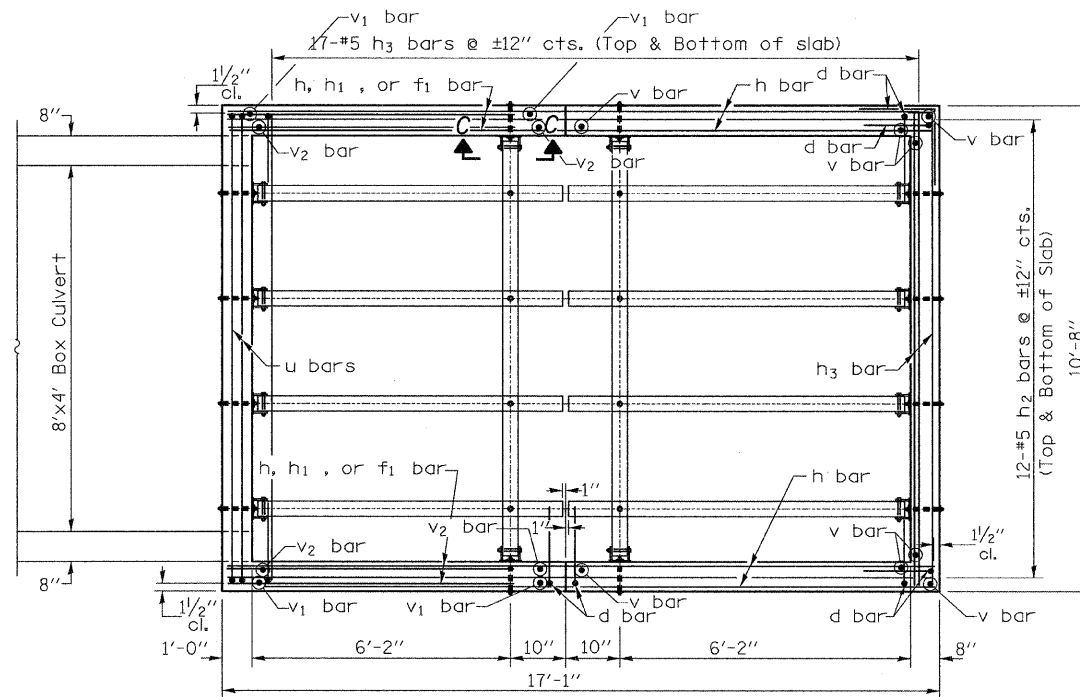
MIN. BAR LAP
#5 bar = 2'-2"



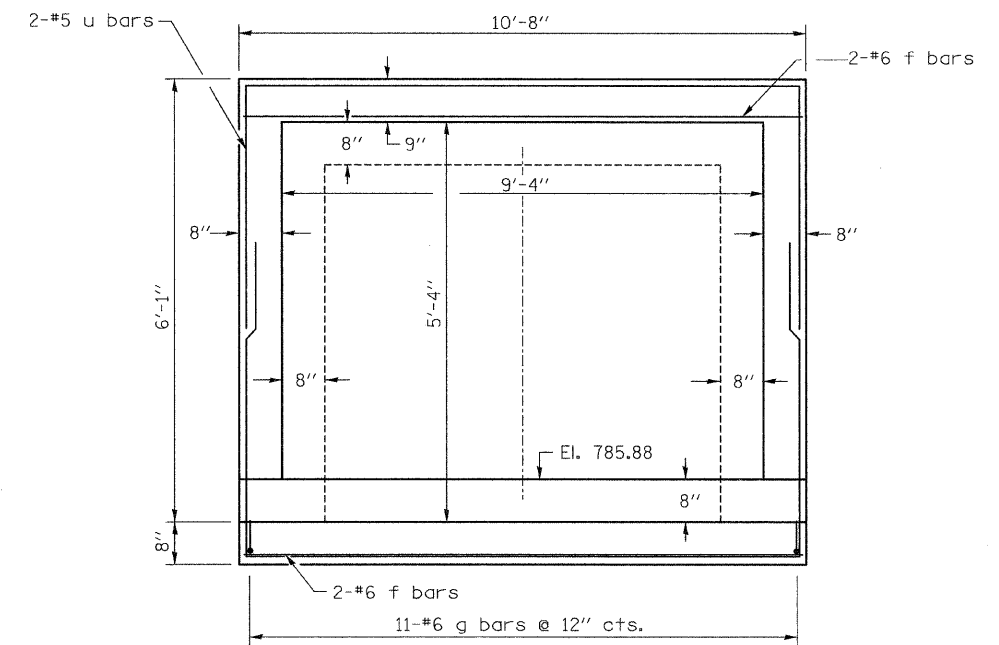
SIDEWALLS



BACK WALL



PLAN



HEADWALL

| | |
|----------|--------|
| DESIGNED | C.T.M. |
| CHECKED | B.A.N. |
| DRAWN | C.T.M. |
| CHECKED | B.A.N. |



Lic. Exp. 11/30/2012

| | | | | | |
|--------------------------------|-----------|-------------|--|--------------|-----------|
| SHEET NO. 1 2 SHEETS | ROUTE NO. | SECTION | COUNTY | TOTAL SHEETS | SHEET NO. |
| | FAS 213 | (19,20)RS-2 | MERCER | 231 | 47 |
| FED. ROAD DIST. NO. 7 ILLINOIS | | | CONTRACT NO. 64D72 FED. AID PROJECT | | |