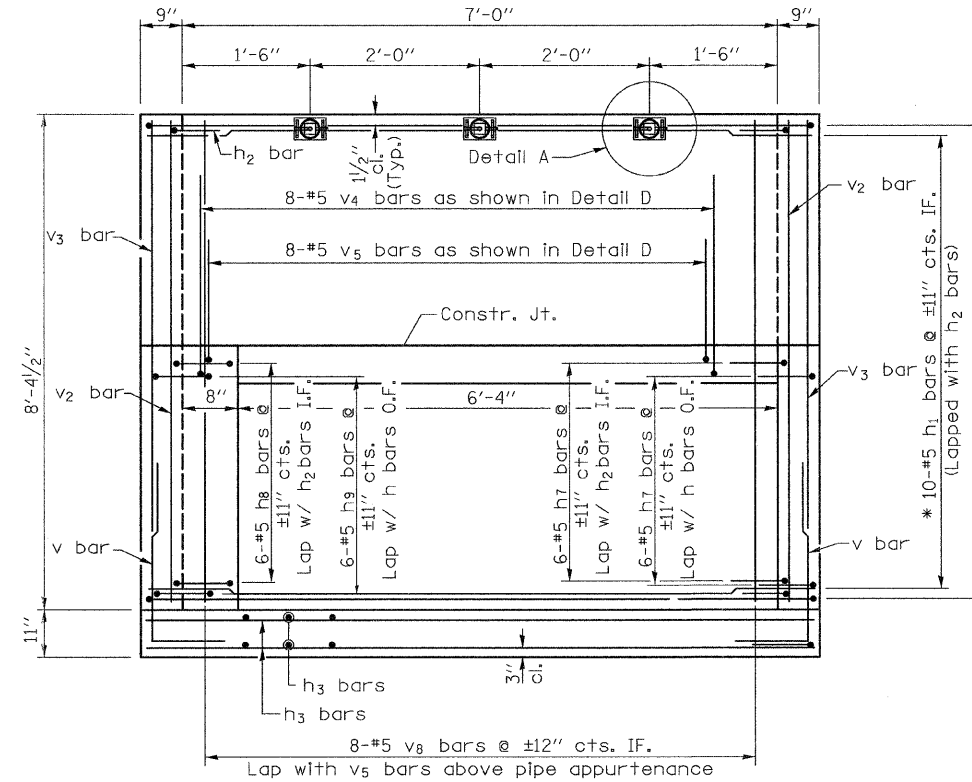
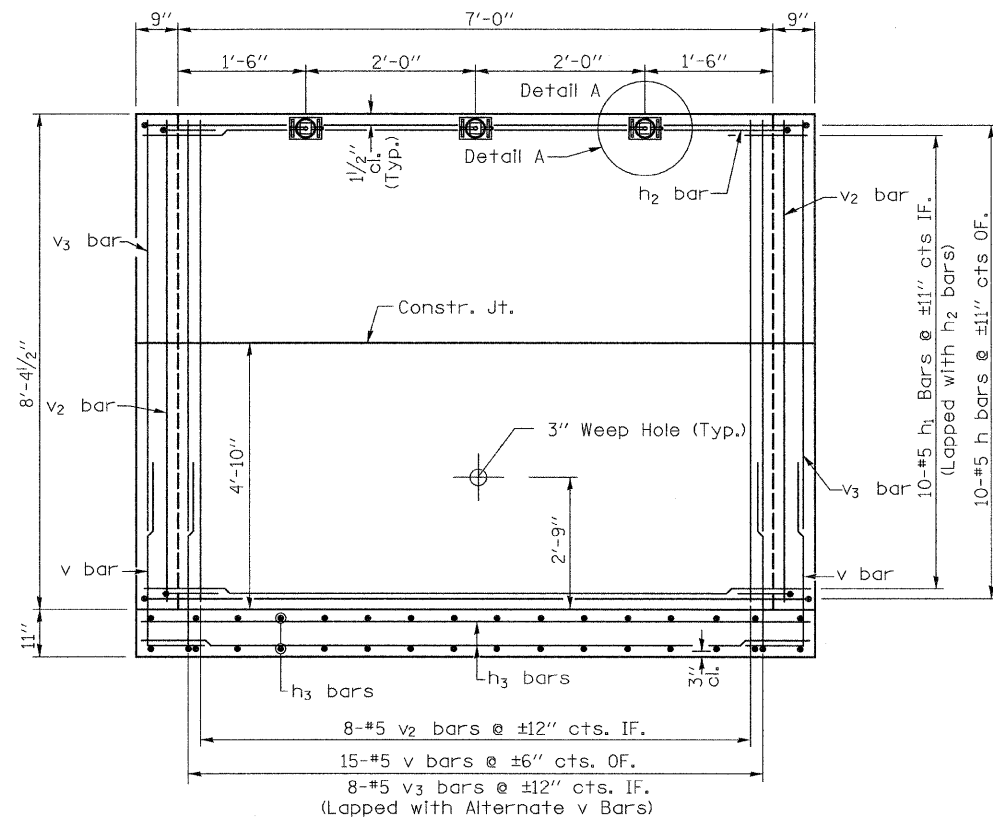
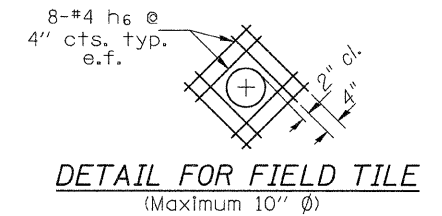
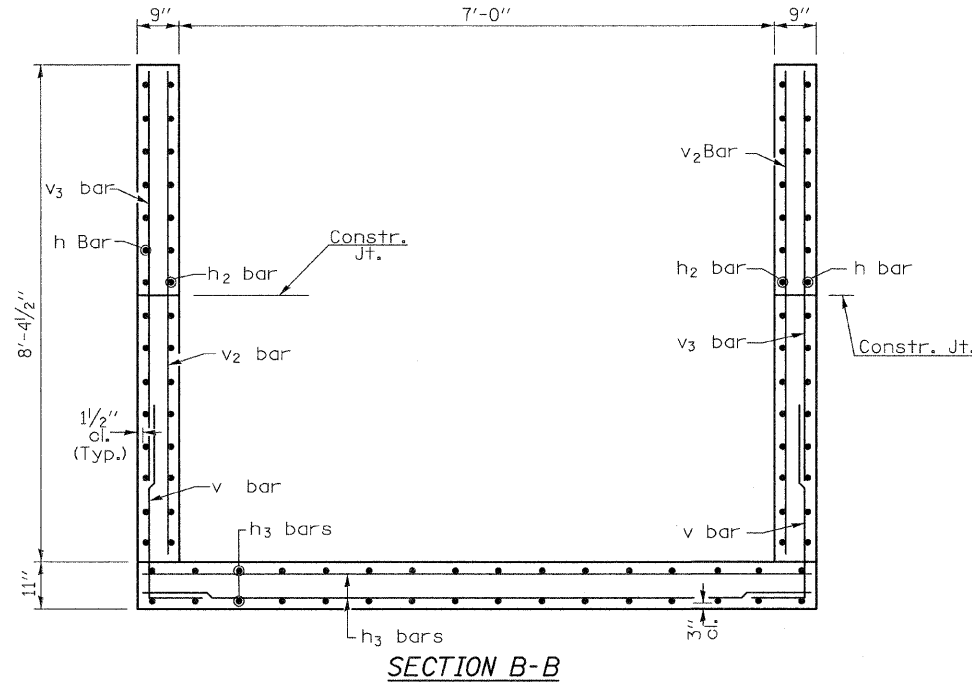
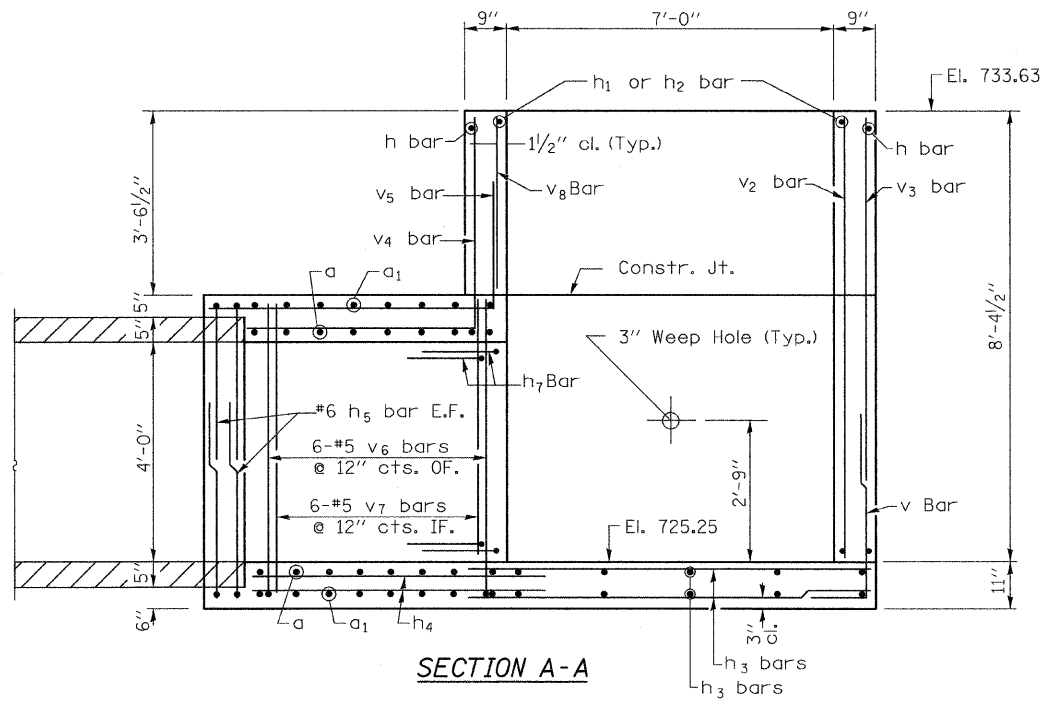


# DROP BOX NO. 3

## LT STA. 304 + 93



\*Cut Bars to fit around Pipe Appurtenance.

DESIGNED	C.T.M.
CHECKED	B.A.N.
DRAWN	C.T.M.
CHECKED	B.A.N.

2244/2244-27/Drop Box #3

SHEET NO. 2 3 SHEETS	ROUTE NO.	SECTION	COUNTY	TOTAL SHEETS	SHEET NO.
	FAS 221	(19,20)RS-2	ROCK ISLAND	231	50
FED. ROAD DIST. NO. 7 ILLINOIS			CONTRACT NO. 64D72 FED. AID PROJECT		