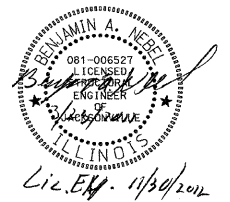
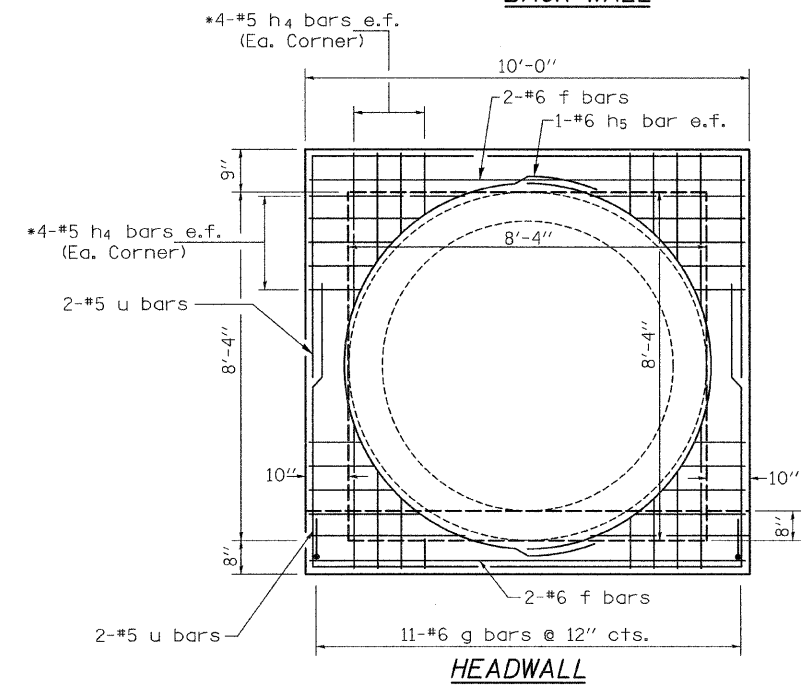
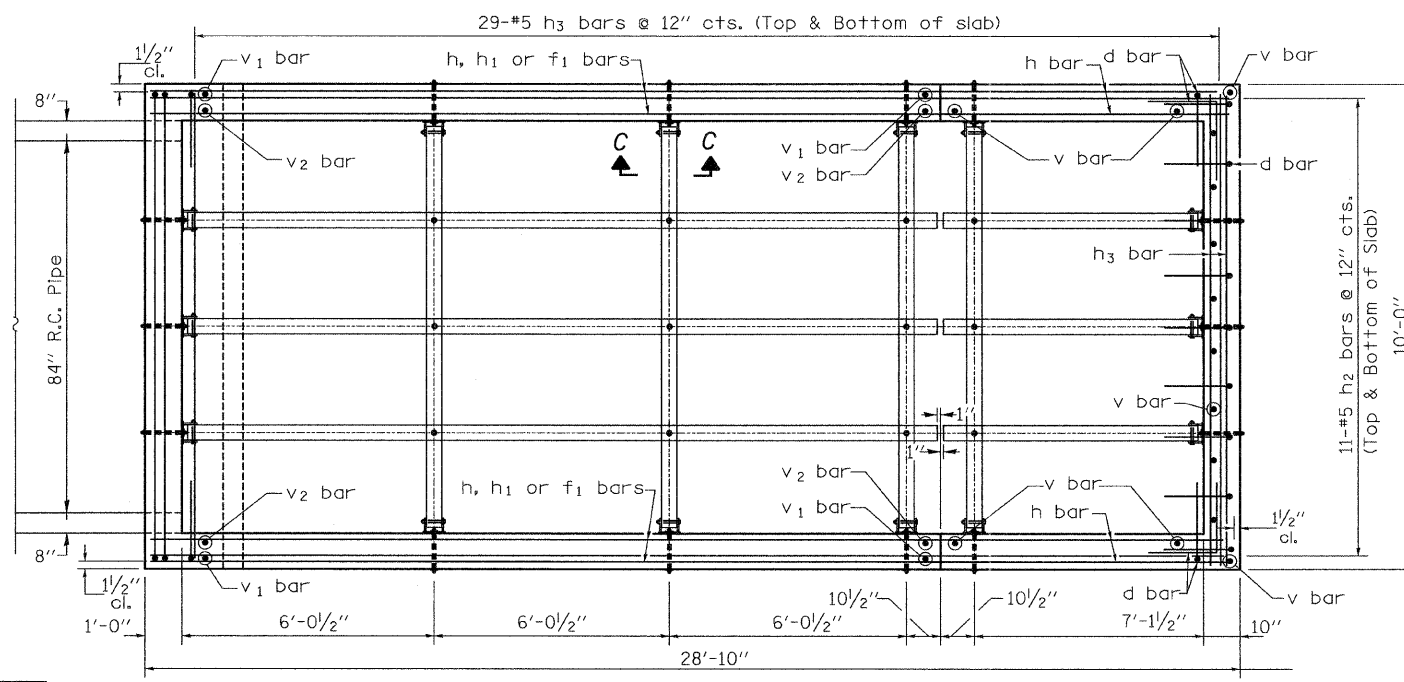
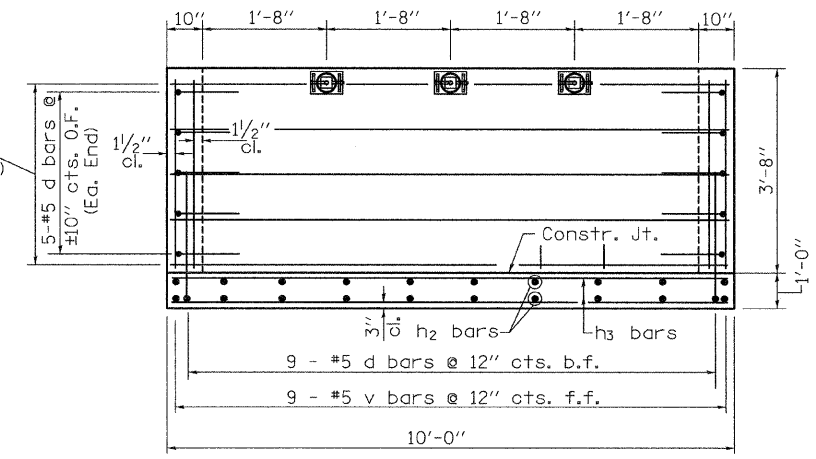
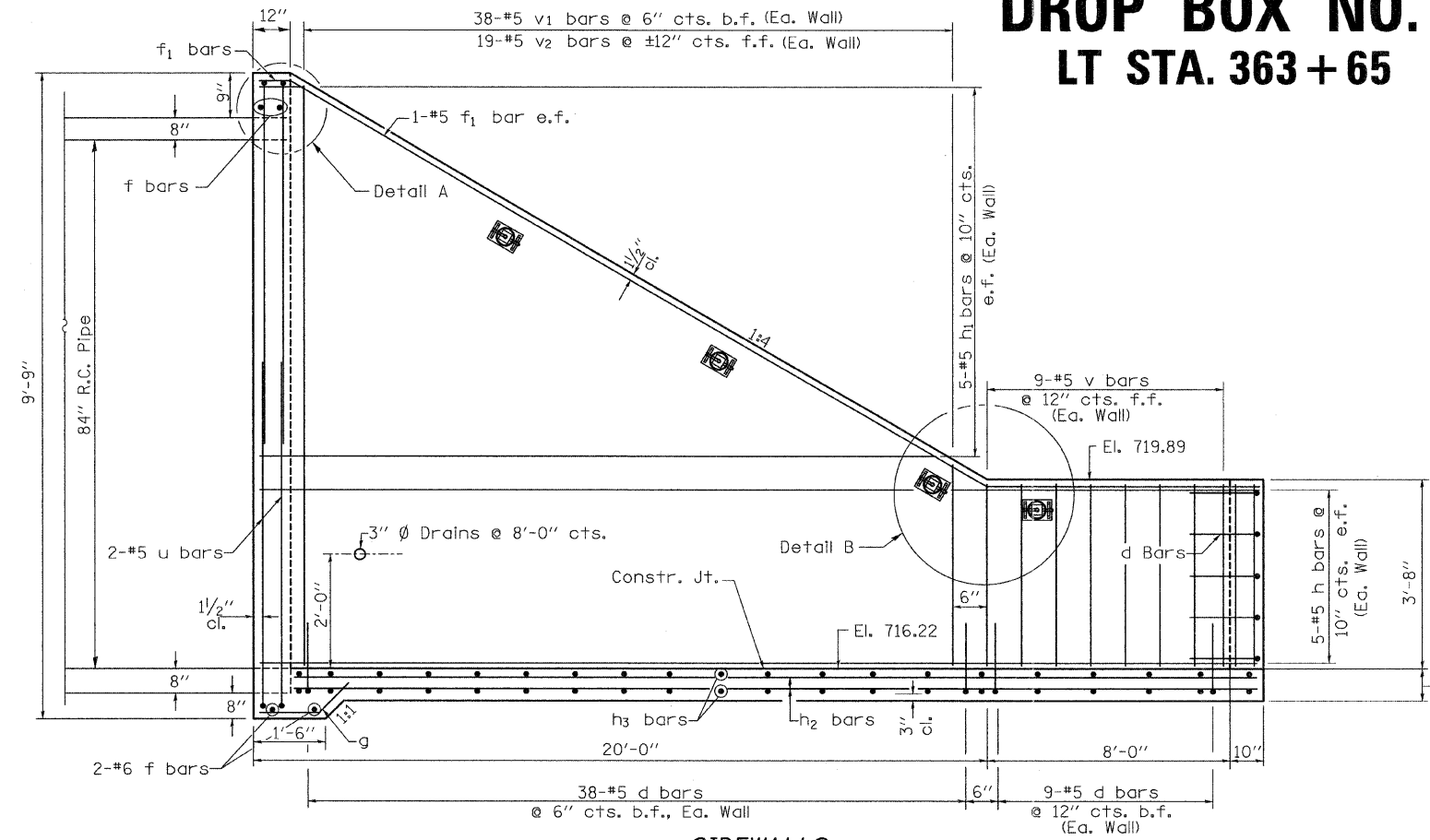


DROP BOX NO. 5

LT STA. 363 + 65



DESIGNED	C.T.M.
CHECKED	B.A.N.
DRAWN	C.T.M.
CHECKED	B.A.N.

SHEET NO. 1 2 SHEETS	ROUTE NO. FAS 221	SECTION (19,20)RS-2	COUNTY ROCK ISLAND	TOTAL SHEETS 231	SHEET NO. 54
	FED. ROAD DIST. NO. 7 ILLINOIS			CONTRACT NO. 64D72 FED. AID PROJECT	