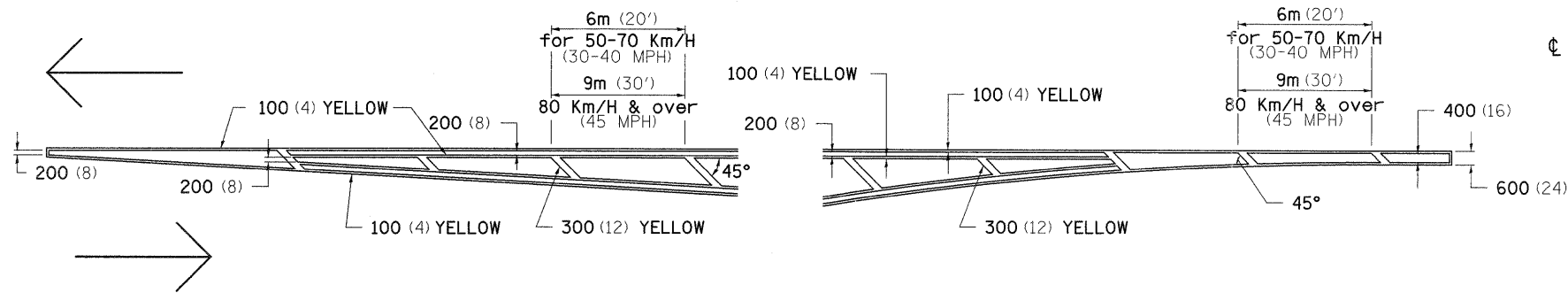
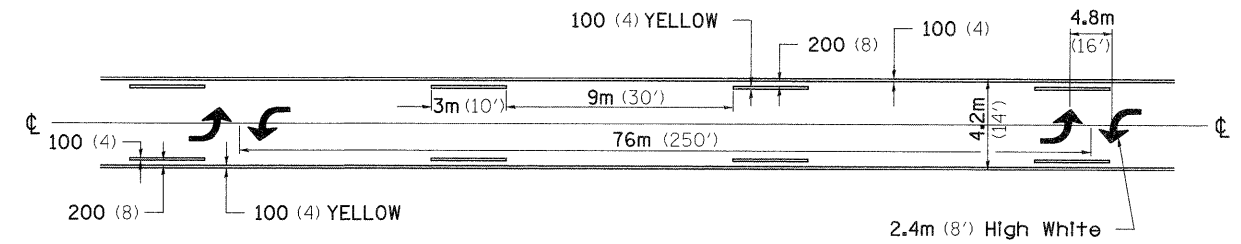


TYPICAL PAVEMENT MARKINGS

TYPICAL PAVEMENT MARKING FOR FLUSH MEDIAN AT LEFT TURN LANE

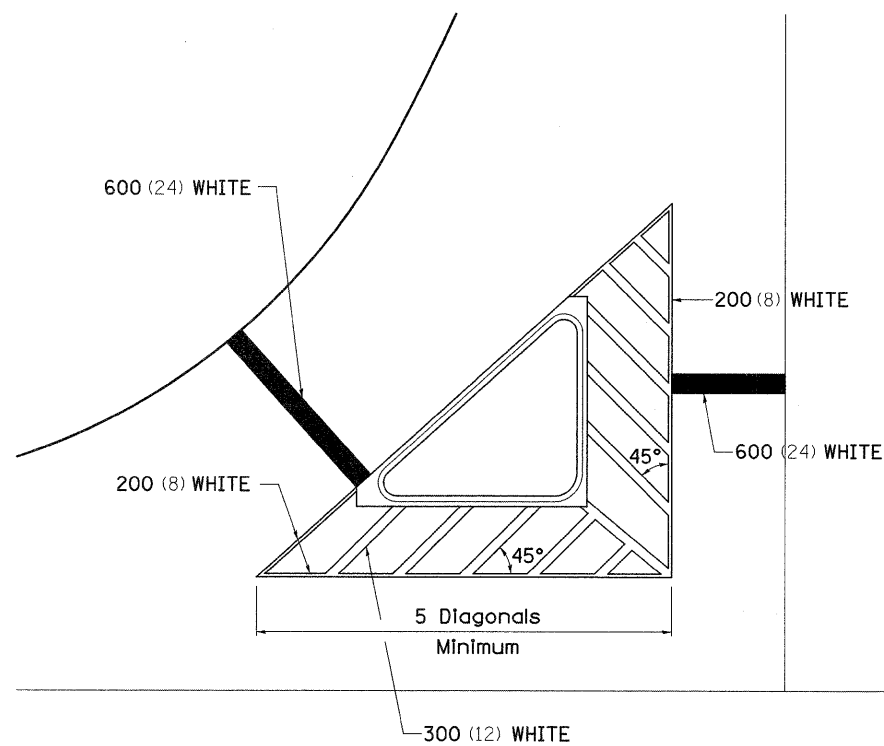


MEDIAN PAVEMENT MARKING

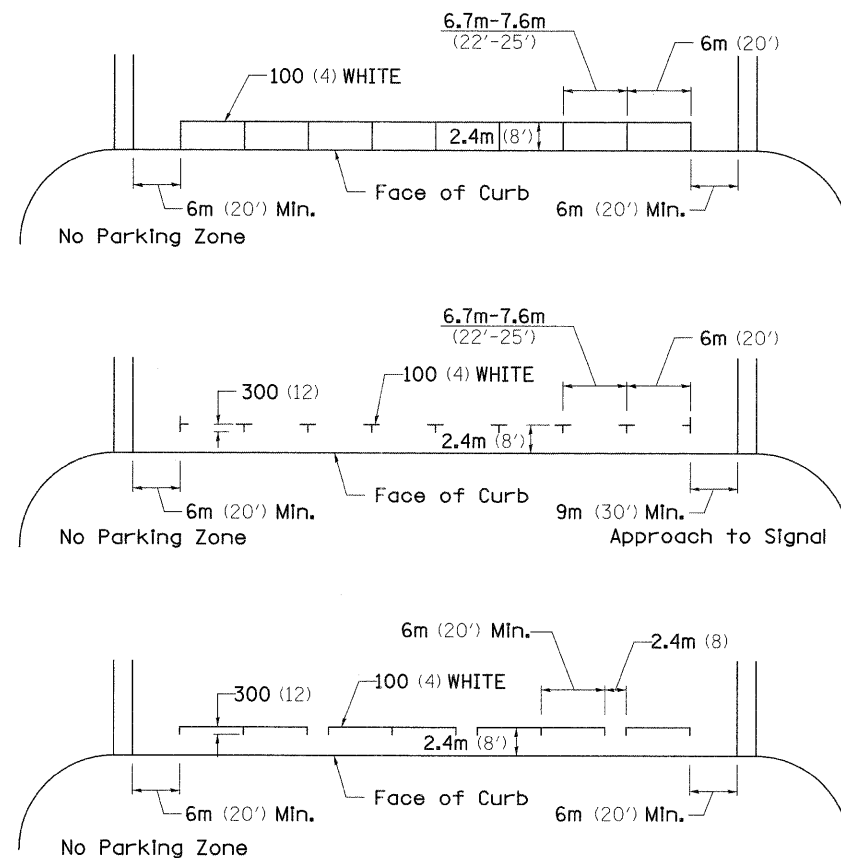


** ALL DIMENSIONS ARE IN MILLIMETERS (INCHES) UNLESS OTHERWISE NOTED.

TYPICAL ISLAND OFFSET SHOULDER WIDTH

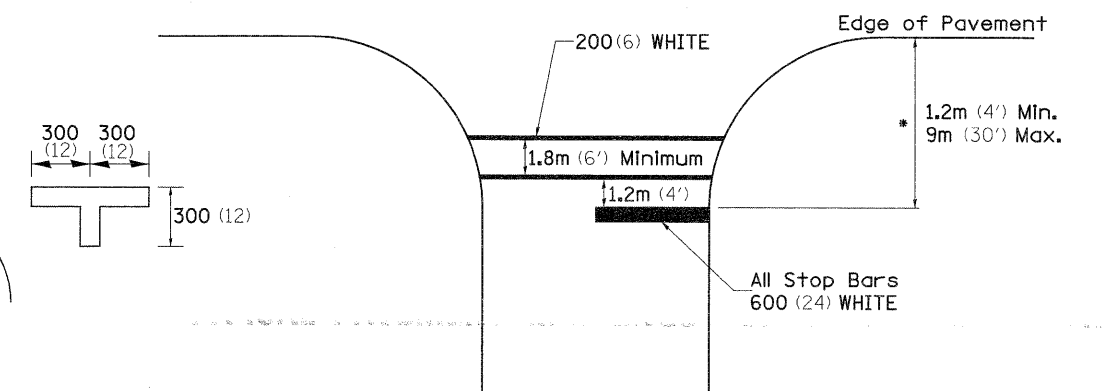


TYPICAL PARKING SPACING



STANDARD CROSSWALK MARKING

See Schedules for Locations



* Distance to the nearest edge of the intersecting roadway in the absence of a marked crosswalk.

FILE NAME =	USER NAME = grantpm	DESIGNED -	REVISED - 10-21-08	STATE OF ILLINOIS DEPARTMENT OF TRANSPORTATION	REGION 2 / DISTRICT 2 STANDARD	F.A.S. RTE.	SECTION	COUNTY	TOTAL SHEETS	SHEET NO.	
es:\pw_work\pavedot\grantpm\d0184077\021212107-shr-details.dgn		DRAWN -	REVISED -			*	(19,20)RS-2	**	231	96	
PLOT SCALE = 50,0000' / 1"		CHECKED -	REVISED -			CONTRACT NO. 64D72					
PLOT DATE = Thu Jun 23 08:02:31 2011		DATE -	REVISED -			FED. ROAD DIST. NO. ILLINOIS FED. AID PROJECT					