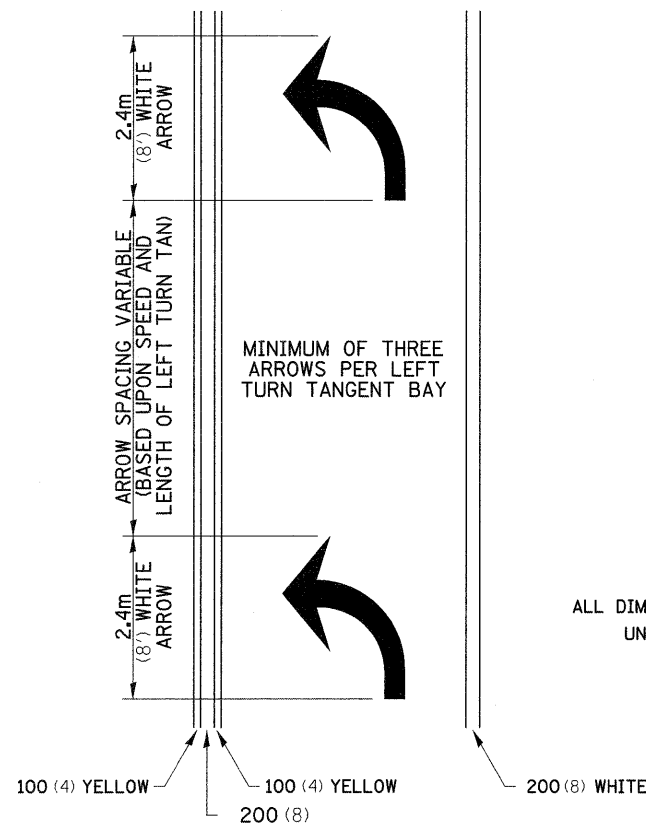


TYPICAL PAVEMENT MARKINGS

ARROW LAYOUT

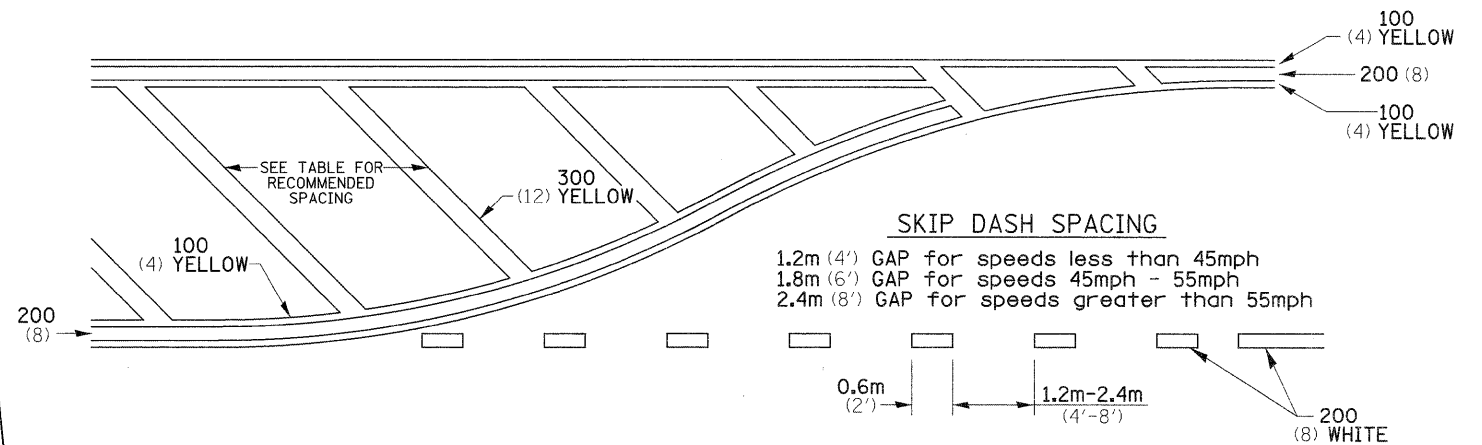


- ◀ ONE-WAY AMBER MARKER
- △ ONE-WAY CRYSTAL MARKER
- ◆ TWO-WAY AMBER MARKER

ALL DIMENSIONS ARE IN MILLIMETERS (INCHES) UNLESS OTHERWISE NOTED.

12.2m
6 at (40') O.C.
APPROACH SIDE ONLY

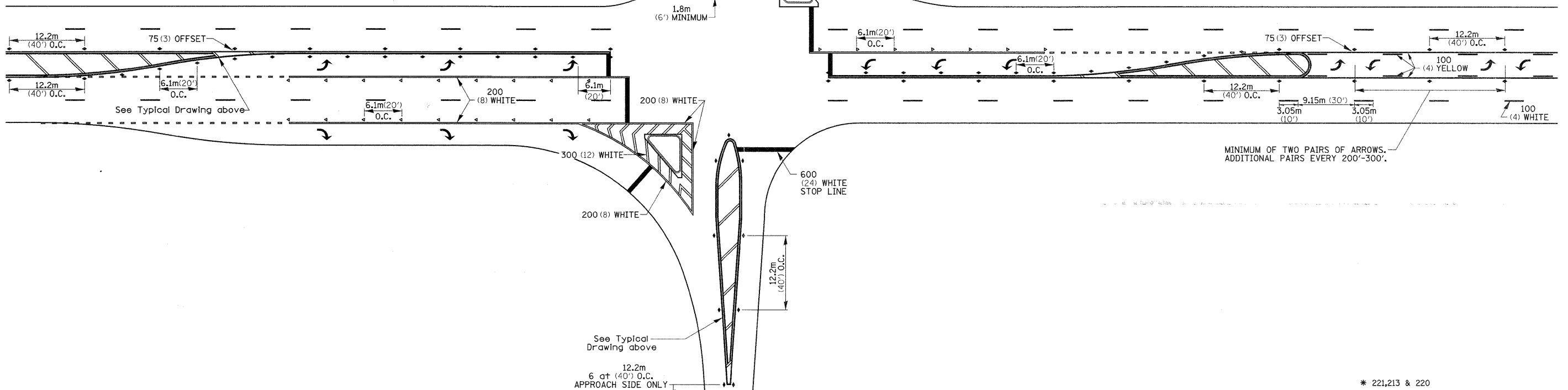
TYPICAL PAVEMENT MARKING FOR FLUSH MEDIAN



RECOMMENDED SPACING BETWEEN DIAGONALS (IN FEET)

Speed Limit Range	Continuous Median Area	Intersection Channelization	Objects (Islands)
less than 50Km/H (30MPH)	15.3m (50')	4.53m (15')	3.05m (10')
50-60Km/H (30-40MPH)	22.9m (75')	6.1m (20')	4.53m (15')
70Km/H (45MPH) & over	22.9m (75')	9.05m (30')	6.1m (20')

NOTE: If the spacing recommended in the Table does not permit at least five diagonal lines in the area being marked, the spacing from the next lowest speed range should be used. The recommended spacing is measured parallel to the pavement center line.



FILE NAME =	USER NAME = grantpm	DESIGNED -	REVISED - 10-21-08
ct:\pwr_work\pwsdot\grantpm\d0164077\0212107-shr-details.dgn		DRAWN -	REVISED -
PLOT SCALE = 50,0000' / 1in.		CHECKED -	REVISED -
PLOT DATE = Thu Jun 23 08:02:32 2011		DATE -	REVISED -

STATE OF ILLINOIS
DEPARTMENT OF TRANSPORTATION

REGION 2 / DISTRICT 2 STANDARD

SCALE: SHEET NO. OF SHEETS STA. TO STA.

* 221,213 & 220
** ROCK ISLAND & MERCER COUNTY

F.A.S. RTE.	SECTION	COUNTY	TOTAL SHEETS	SHEET NO.
*	(19,20)RS-2	**	231	97
CONTRACT NO. 64D72				
FED. ROAD DIST. NO. ILLINOIS FED. AID PROJECT				