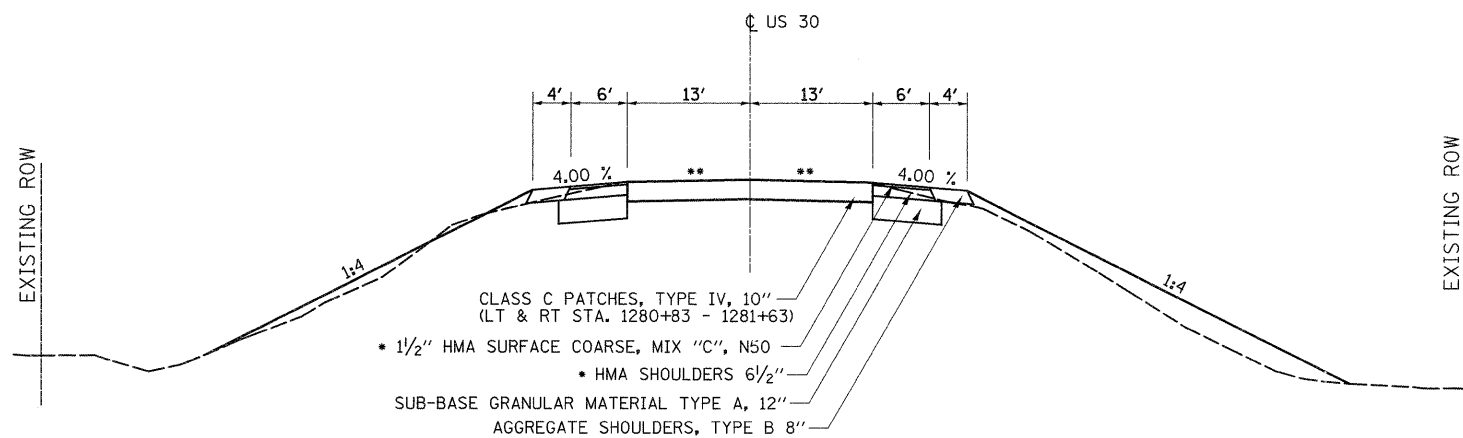
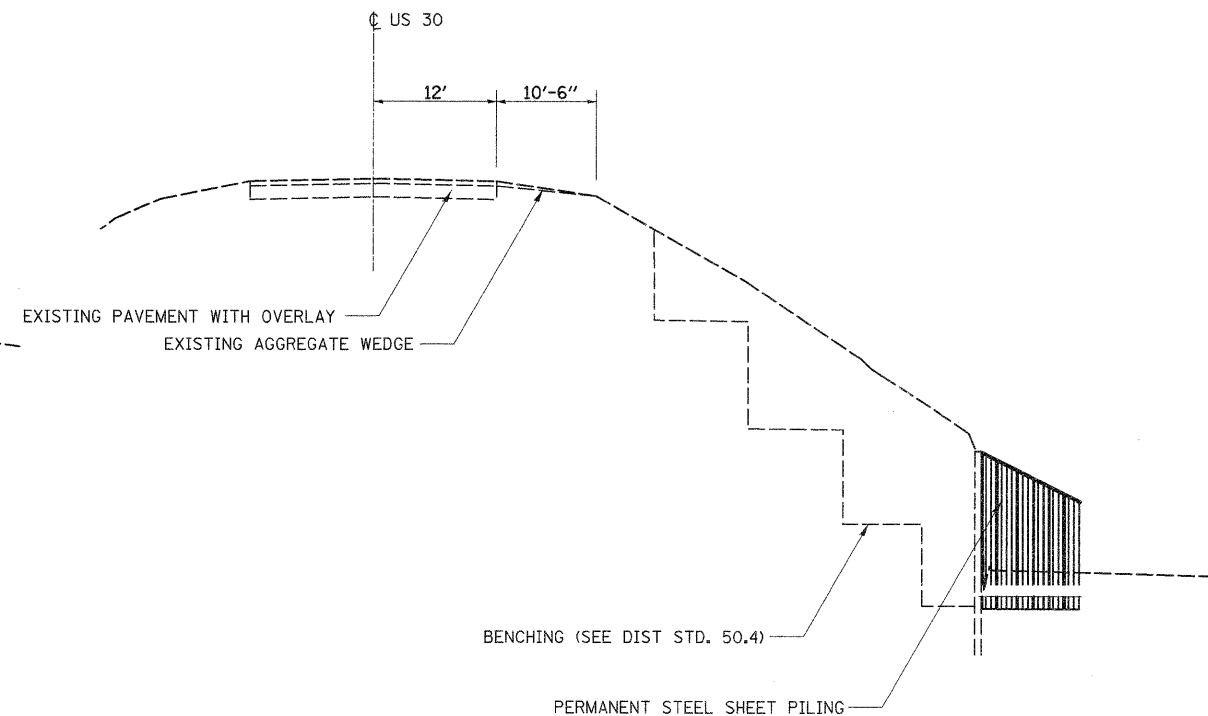


TYPICAL SECTIONS

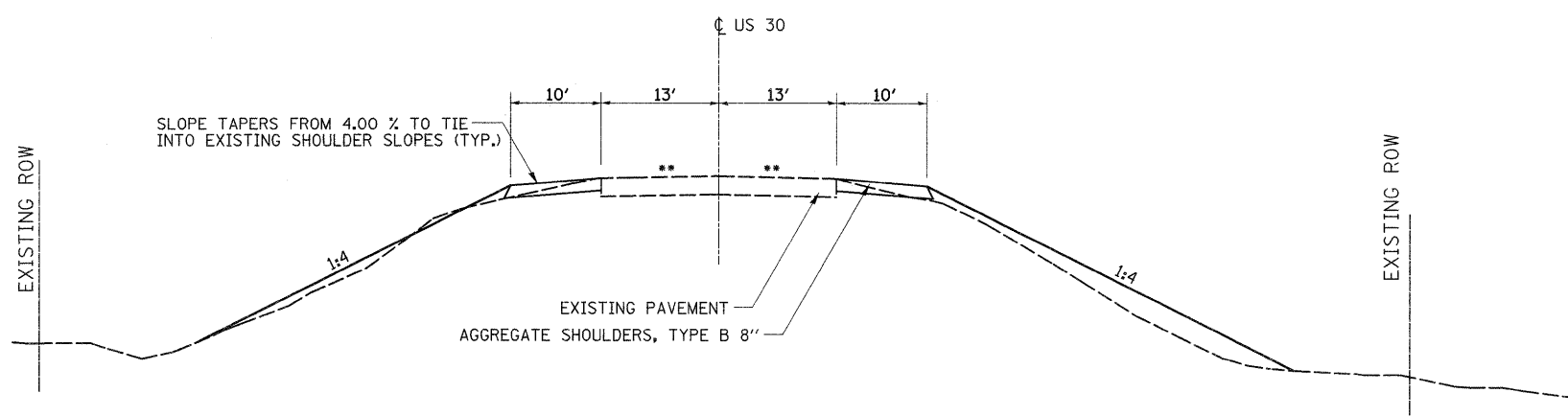
EXISTING SN 098-1019
PROPOSED SN 098-1067
STA. 1278+32.95 LT - STA. 1283+45.00 LT
STA. 1279+04.50 RT - STA. 1283+45.00 RT



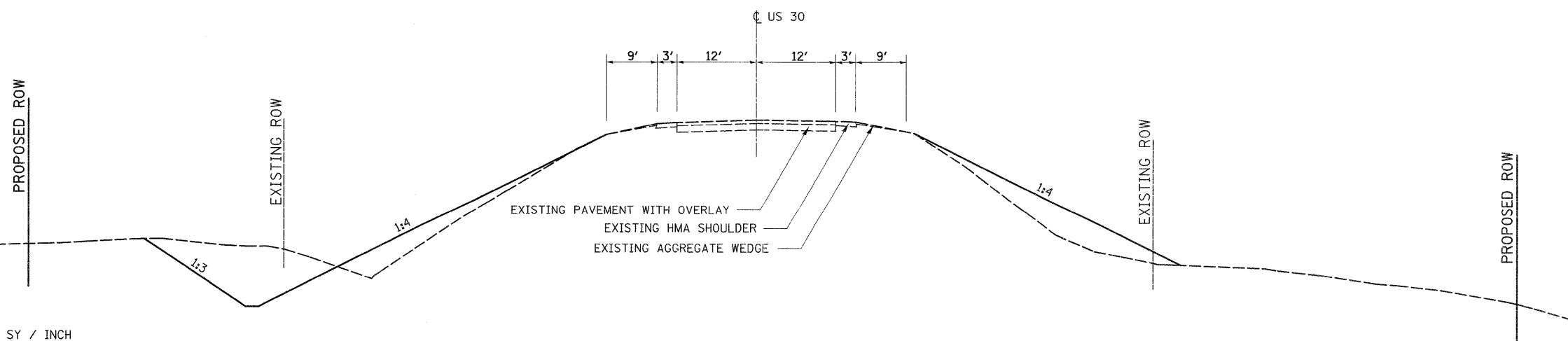
STA. 1333+35 - STA. 1335+60 (SN 098-1020)



EXISTING SN 098-1019
PROPOSED SN 098-1067
STA. 1277+16 RT - STA. 1279+04.50 RT
STA. 1277+16 RT - STA. 1278+32.95 RT
STA. 1283+45.00 LT - STA. 1284+16.50 LT
STA. 1283+45.00 RT - STA. 1284+16.50 RT



STA. 1502+00 - STA. 1505+75 (SN 098-1021)



* HOT-MIX ASPHALT 112 LBS / SY / INCH

** MAINTAINING EXISTING CROSS SLOPE

FILE NAME =	USER NAME = hensonke	DESIGNED -	REVISED -	STATE OF ILLINOIS DEPARTMENT OF TRANSPORTATION	TYPICAL SECTIONS			F.A.P. RTE.	SECTION	COUNTY	TOTAL SHEETS	SHEET NO.
cd:\pwwork\pwwork\hensonke\d0133232\020609-shr-typical.dgn	DRAWN -	REVISED -	309					15T-1	WHITESIDE	74	8	
PLOT SCALE = 50.0000' / 1"	CHECKED -	REVISED -	CONTRACT NO. 64F23									
PLOT DATE = Fri Jun 24 07:43:40 2011	DATE -	REVISED -	SCALE:		SHEET NO.	OF SHEETS	STA.	TO STA.	ILLINOIS FED. AID PROJECT			