

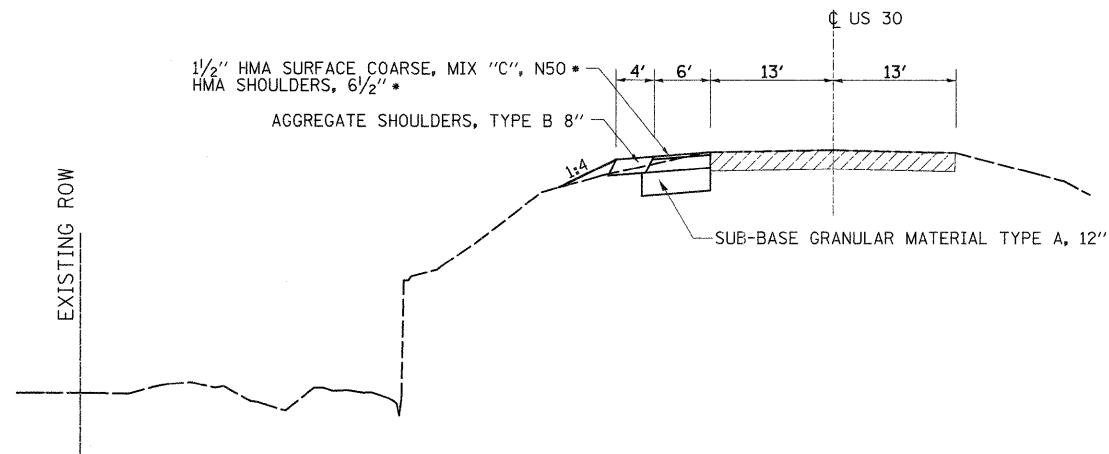
STAGING TYPICAL SECTIONS

10'x8' Cast-In-Place Box Culvert 0° Skew

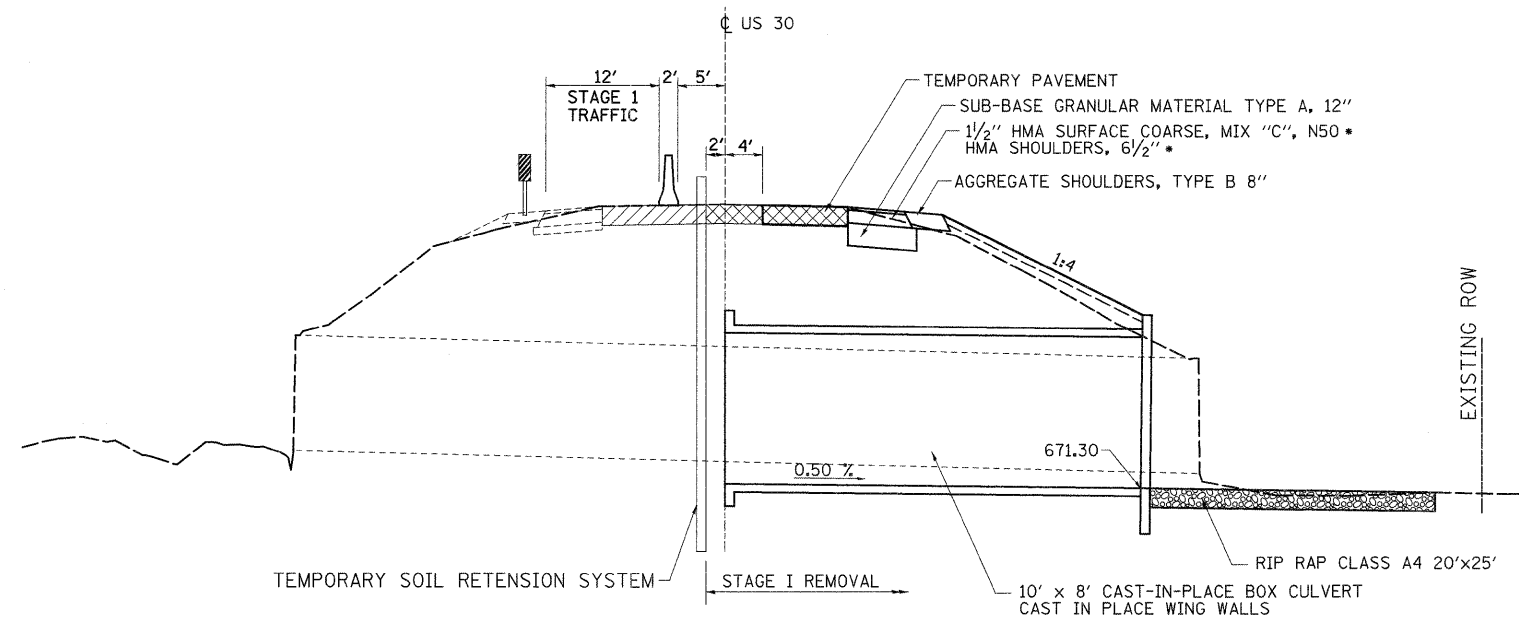
STA. 1281 + 22.49

PRE-STAGE 1

STA. 1278+32.92 - STA. 1283+45 LT



STAGE 1 CONSTRUCTION



- = EXISTING
- = REMOVAL

- HOT-MIX ASPHALT 112 LBS / SY / INCH
- MAINTAINING EXISTING CROSS SLOPE

FILE NAME =	USER NAME = hensonke	DESIGNED -	REVISED -	STATE OF ILLINOIS DEPARTMENT OF TRANSPORTATION	STAGING TYPICAL SECTIONS	F.A.P. RTE.	SECTION	COUNTY	TOTAL SHEETS	SHEET NO.	
ea:\pwork\work\pwork\hensonke\d0133232\020809-sh-t-typical.dgn	PLOT SCALE = 50.0000' / in.	DRAWN -	REVISED -			309	15T-1	WHITESIDE	74	9	
PLOT DATE = Fri Jun 24 07:43:41 2011	DATE -	CHECKED -	REVISED -			CONTRACT NO. 64F23					
						ILLINOIS FED. AID PROJECT					