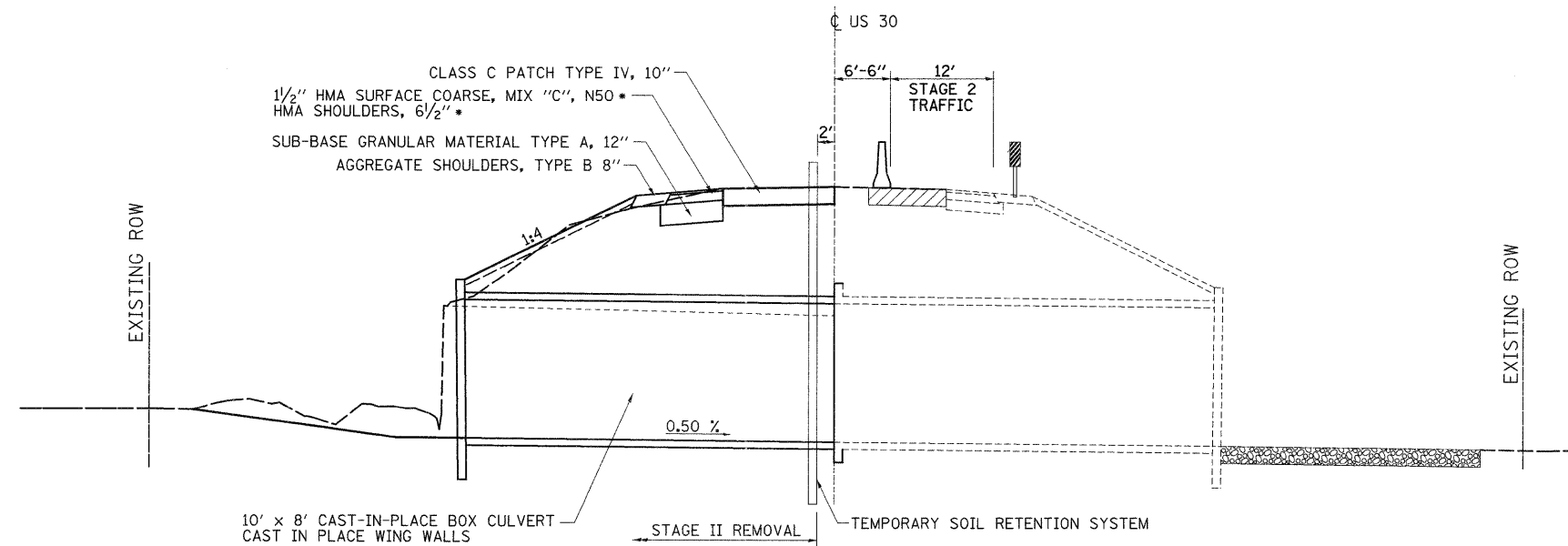


STAGING TYPICAL SECTIONS

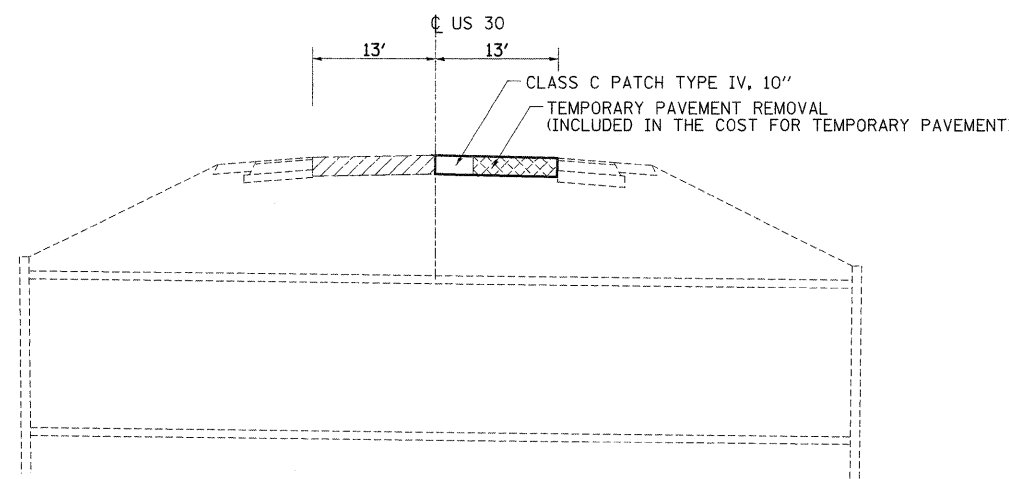
10'x8' Cast-In-Place Box Culvert 0° Skew

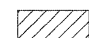

STA. 1281 + 22.49

STAGE 2 CONSTRUCTION



STAGE 3 CONSTRUCTION



-  = EXISTING
-  = REMOVAL

- HOT-MIX ASPHALT 112 LBS / SY / INCH
- ** MAINTAINING EXISTING CROSS SLOPE

FILE NAME =	USER NAME = hensonke	DESIGNED -	REVISED -	STATE OF ILLINOIS DEPARTMENT OF TRANSPORTATION	STAGING TYPICAL SECTIONS	F.A.P. RTE.	SECTION	COUNTY	TOTAL SHEETS	SHEET NO.		
ct:\pw\work\p\ridot\hensonke\d0133232\020609-sh-t-typcal.dgn	DRAWN -	REVISED -	309			15T-1	WHITESIDE	74	10			
PLOT SCALE = 50.0000' / 1" =	CHECKED -	REVISED -	CONTRACT NO. 64F23									
PLOT DATE = Fri Jun 24 07:43:42 2011	DATE -	REVISED -	ILLINOIS FED. AID PROJECT									
						SCALE:	SHEET NO.	OF	SHEETS	STA.	TO	STA.