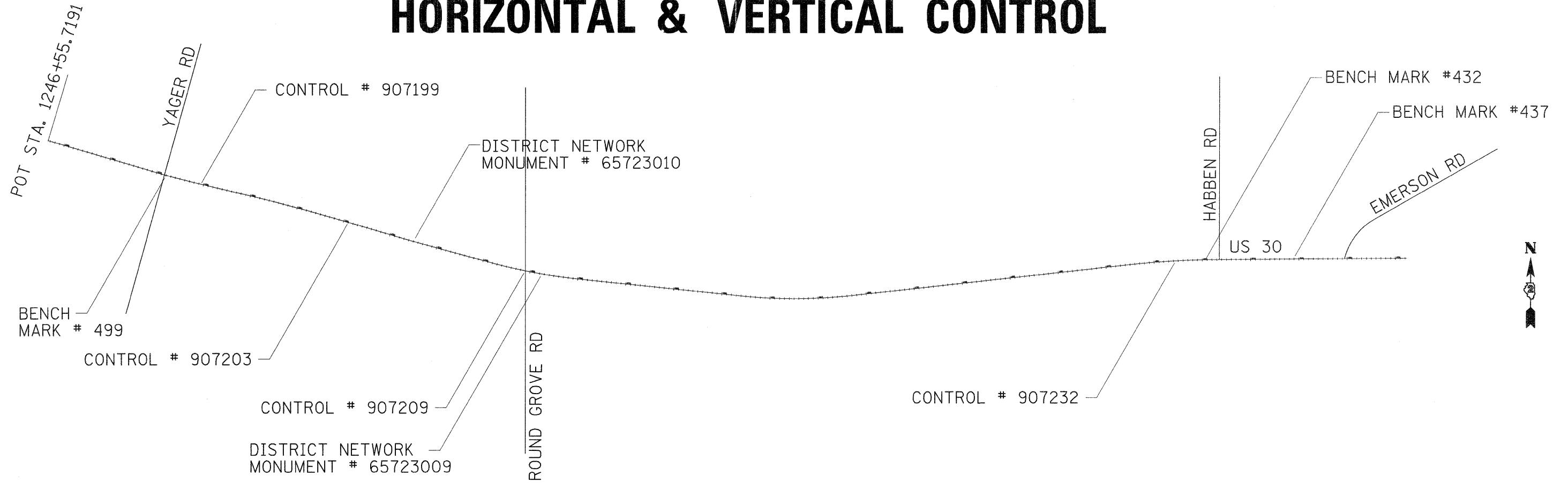
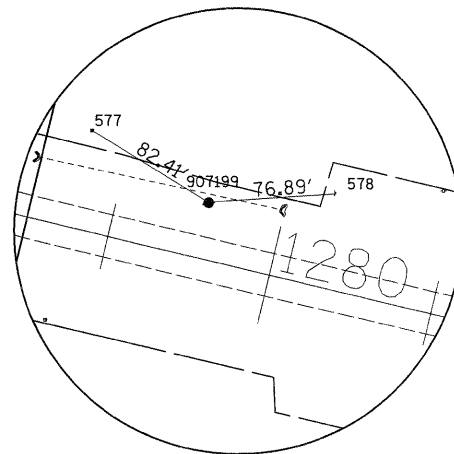


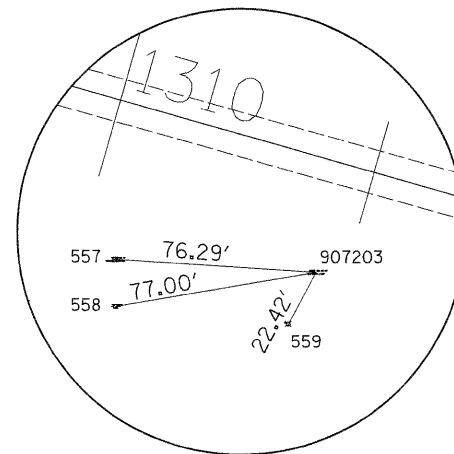
HORIZONTAL & VERTICAL CONTROL



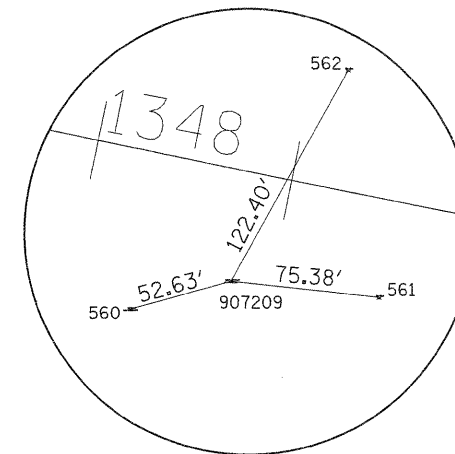
CURVE POINT NUMBERS					
CHAIN	CURVE	PI	CC	PC	PT
08609US30	390	390	391	392	393
08609US30	1200	1200	1201	1202	1203
08609US30	1210	1210	1211	1212	1213
08609US30	1220	1220	1221	1222	1223
08609US30	1230	1230	1231	1232	1233
08609US30	1240	1240	1241	1242	1243



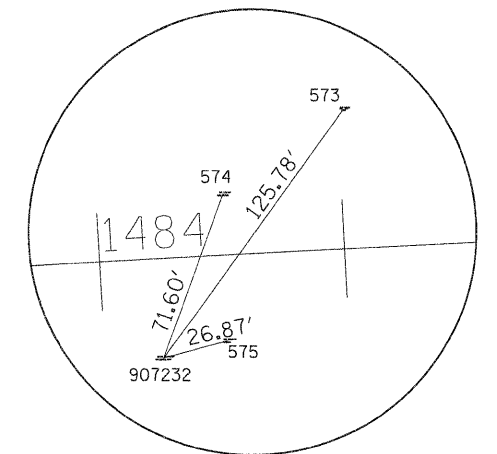
HORIZONTAL CONTROL POINT NO. 907199



HORIZONTAL CONTROL POINT NO. 907203



HORIZONTAL CONTROL POINT NO. 907209



HORIZONTAL CONTROL POINT NO. 907232