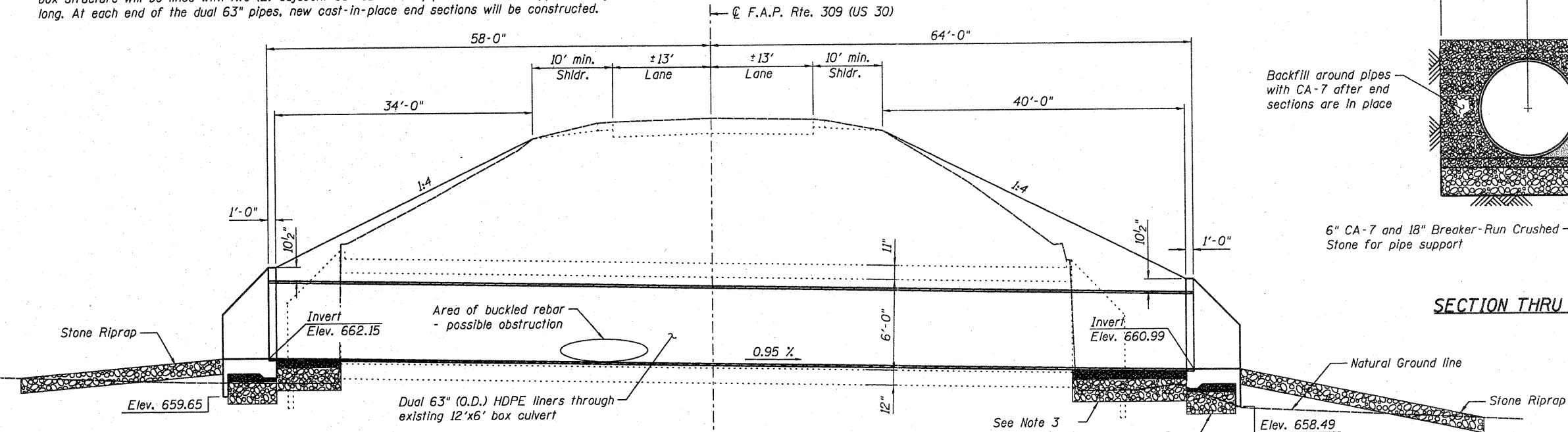
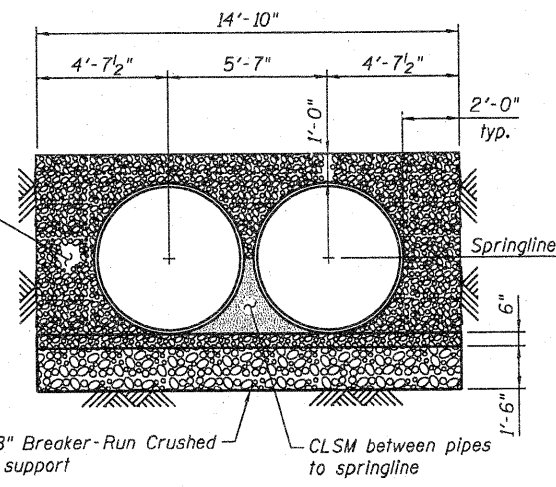


Bench Mark: Point #907237, Pin and Cap GPS Control; North: 1,866,546.79 East: 2,394,133.78
Sta. 1522+19.36, 41.89' Rt, Elev. 653.82

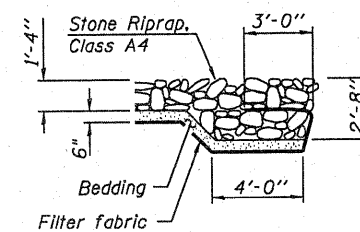
Existing Structure: S.N. 098-1021, built in 1951 as a 12'x 6' R.C. box culvert, approximately 95'-8" face to face of headwall with culvert length of ±97'-0". The existing culvert requires rehabilitation. The existing box structure will be lined with two (2) adjacent 63" OD HDPE pipes that will be approximately 122 feet long. At each end of the dual 63" pipes, new cast-in-place end sections will be constructed.



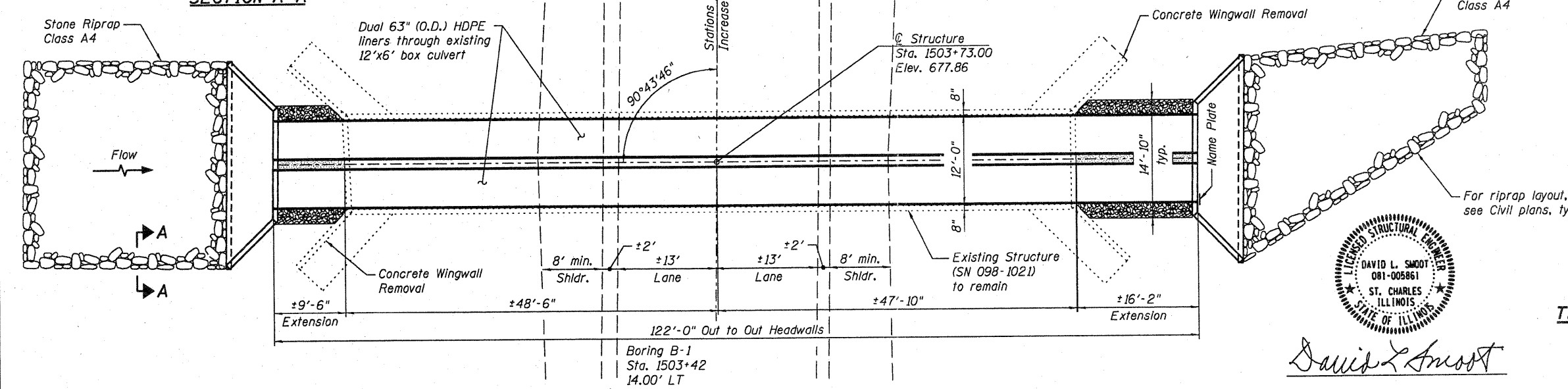
LONGITUDINAL SECTION
Dimensions are at Right Angles to C Roadway except as noted



SECTION THRU LINER EXTENSION



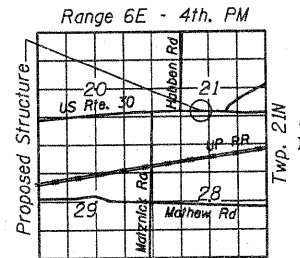
SECTION A-A



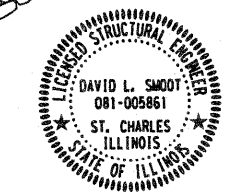
PLAN

INDEX OF SHEETS

1. General Plan & Elevation
2. General Data
3. End Section Details
4. Soil Boring Logs



LOCATION SKETCH



David L. Smoot

David L. Smoot
Date: 06/24/2011
License Expires: 11/30/2012

GENERAL PLAN & ELEVATION
US ROUTE 30 OVER UNNAMED
TRIBUTARY TO THE ROCK RIVER
F.A.P. RTE. 309 - SEC. 15T-1
WHITESIDE COUNTY
STATION 1503+73.00
STRUCTURE NO. 098-1021

FILE NAME: P:\CDBBEL WEST Projects\2009\121108 IDOT Various Various Structural\Drawings\64F23-01-CP&E.dgn

WILLS BURKE KELSEY ASSOCIATES LTD.
116 West Main Street, Suite 201
St. Charles, Illinois 60174
(630) 443-7755

USER NAME =	DESIGNED - DLS	REVISED -
FILE NAME =	CHECKED - AEU	REVISED -
PLOT SCALE =	DRAWN - DLS	REVISED -
PLOT DATE = 06/24/2011	CHECKED - AEU	REVISED -

STATE OF ILLINOIS
DEPARTMENT OF TRANSPORTATION

SHEET NO. 1 OF 4 SHEETS

F.A.P. RTE.	SECTION	COUNTY	TOTAL SHEETS	SHEET NO.
309	15T-1	WHITESIDE	74	45
			CONTRACT NO. 64F23	
ILLINOIS FED. AID PROJECT				