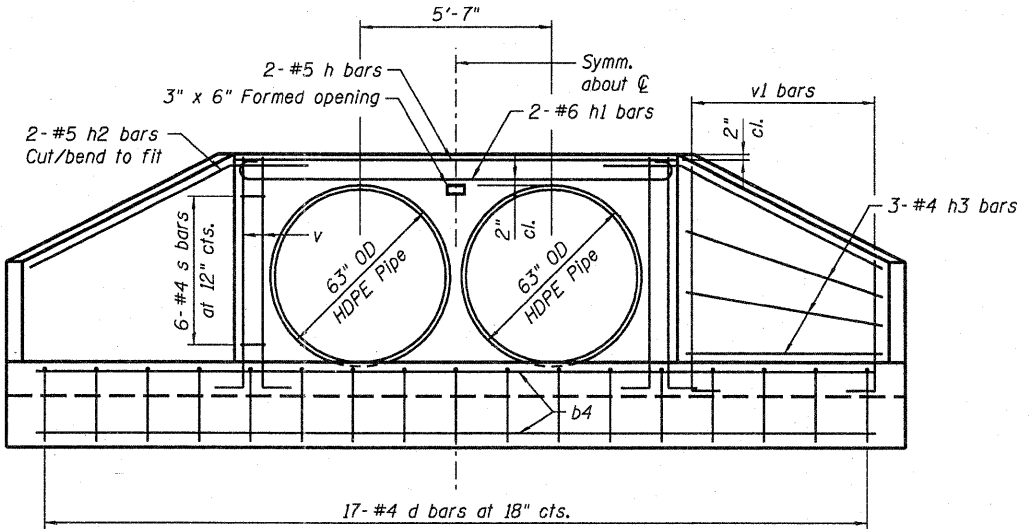
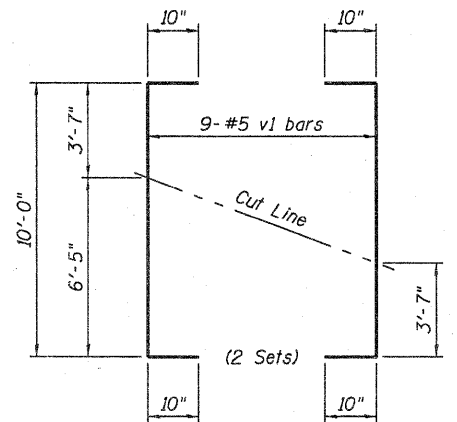


HALF SIDE ELEVATION/SECTION

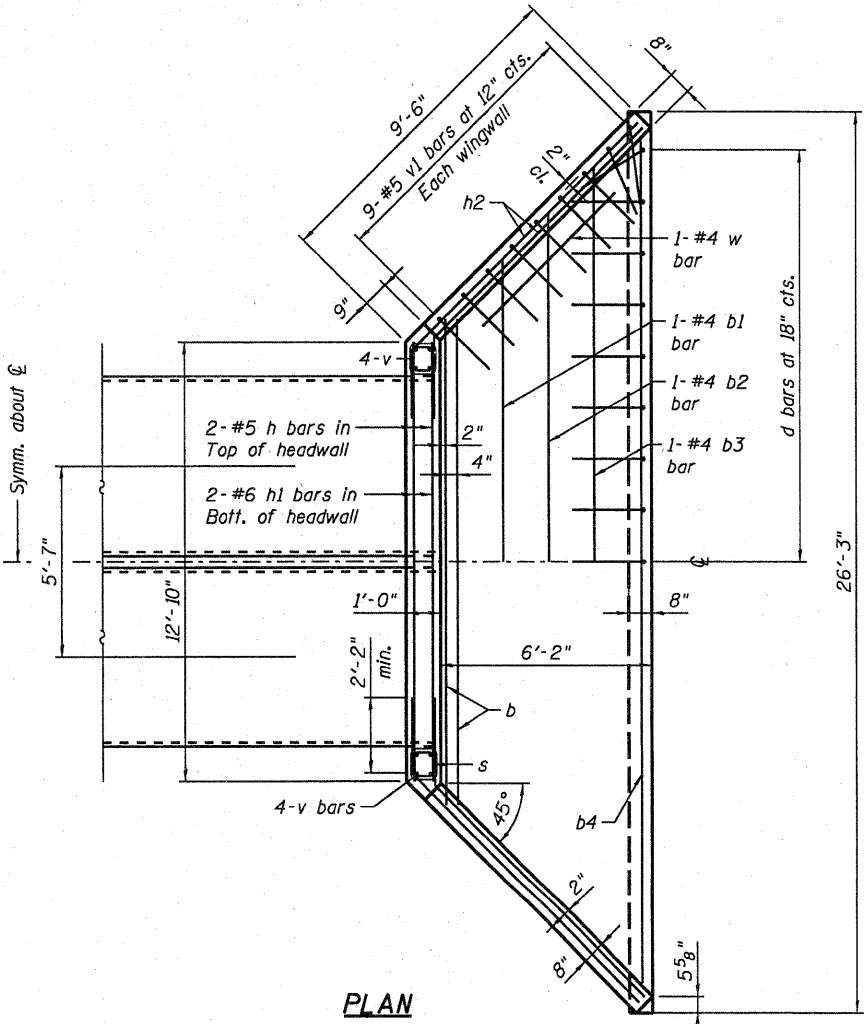


END ELEVATION

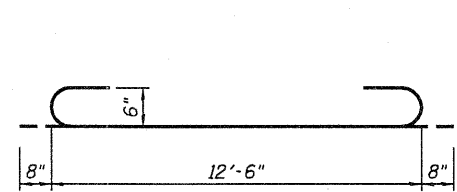


FIELD CUTTING DIAGRAM
Order bars full length. Cut as shown and use remainder of bars in opposite wingwall.

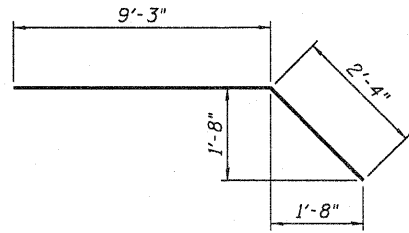
Prior to the placement of concrete for the headwall, the Contractor has the option of setting the pipes inside the headwall formwork or forming the openings for the 63" OD HDPE pipes and inserting the pipe sections after the concrete has cured. If the pipes are inserted into the formwork prior to the placement of concrete, sufficient support shall be installed inside the pipe ends to prevent deformations or displacements to the HDPE pipe ends. If the circular openings for the pipe are formed and the pipe sections are installed after the concrete has cured for the headwall, the Contractor shall provide for sealing around any gap between the pipe and the formed opening with a nonshrink grout according to Section 1024 of the Standard Specifications. The Contractor shall submit his work plan for review and approval by the Engineer prior to the start of work.



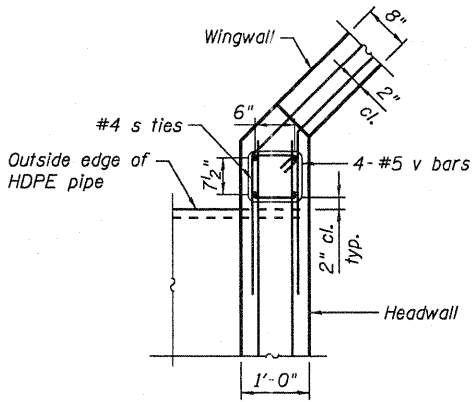
PLAN



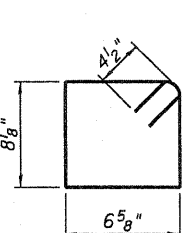
BAR h1



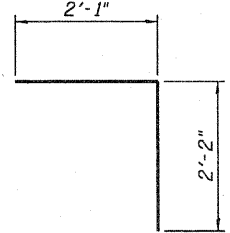
BAR h2



CORNER DETAIL



BAR s



BAR d

BILL OF MATERIAL
(2 End Sections)

Bar	No.	Size	Length	Shape
b	4	#5	14'-2"	—
b1	2	#4	17'-8"	—
b2	2	#4	20'-4"	—
b3	2	#4	23'-0"	—
b4	4	#4	24'-6"	—
d	34	#4	4'-3"	└
h	4	#5	12'-6"	—
h1	4	#6	13'-10"	—
h2	8	#5	11'-7"	—
h3	12	#4	8'-3"	—
s	24	#4	3'-2 1/2"	┐
v	16	#5	7'-6"	—
v1	18	#5	11'-8"	—
w	4	#4	5'-6"	—
Concrete Structures			Cu. Yd.	19.7
Reinforcement Bars			Pound	1,020

FILE NAME = P:\CBEL\WEST Projects\2009\1214108 IDOT Various Various Structural\Drawings\098-1021-098\021-64F23-003-Daten1a.dgn

WILLS BURKE KELSEY ASSOCIATES LTD.
110 West Main Street, Suite 201
St. Charles, Illinois 60174
(630) 443-7755

USER NAME =	DESIGNED - DLS	REVISED -
FILE NAME =	CHECKED - AEU	REVISED -
PLOT SCALE =	DRAWN - DLS	REVISED -
PLOT DATE = 06/24/2011	CHECKED - AEU	REVISED -

STATE OF ILLINOIS
DEPARTMENT OF TRANSPORTATION

END SECTION DETAILS
STRUCTURE NO. 098-1021
SHEET NO. 3 OF 4 SHEETS

F.A.P. RTE. 309	SECTION 15T-1	COUNTY WHITESIDE	TOTAL SHEETS 74	SHEET NO. 47
			CONTRACT NO. 64F23	
ILLINOIS FED. AID PROJECT				