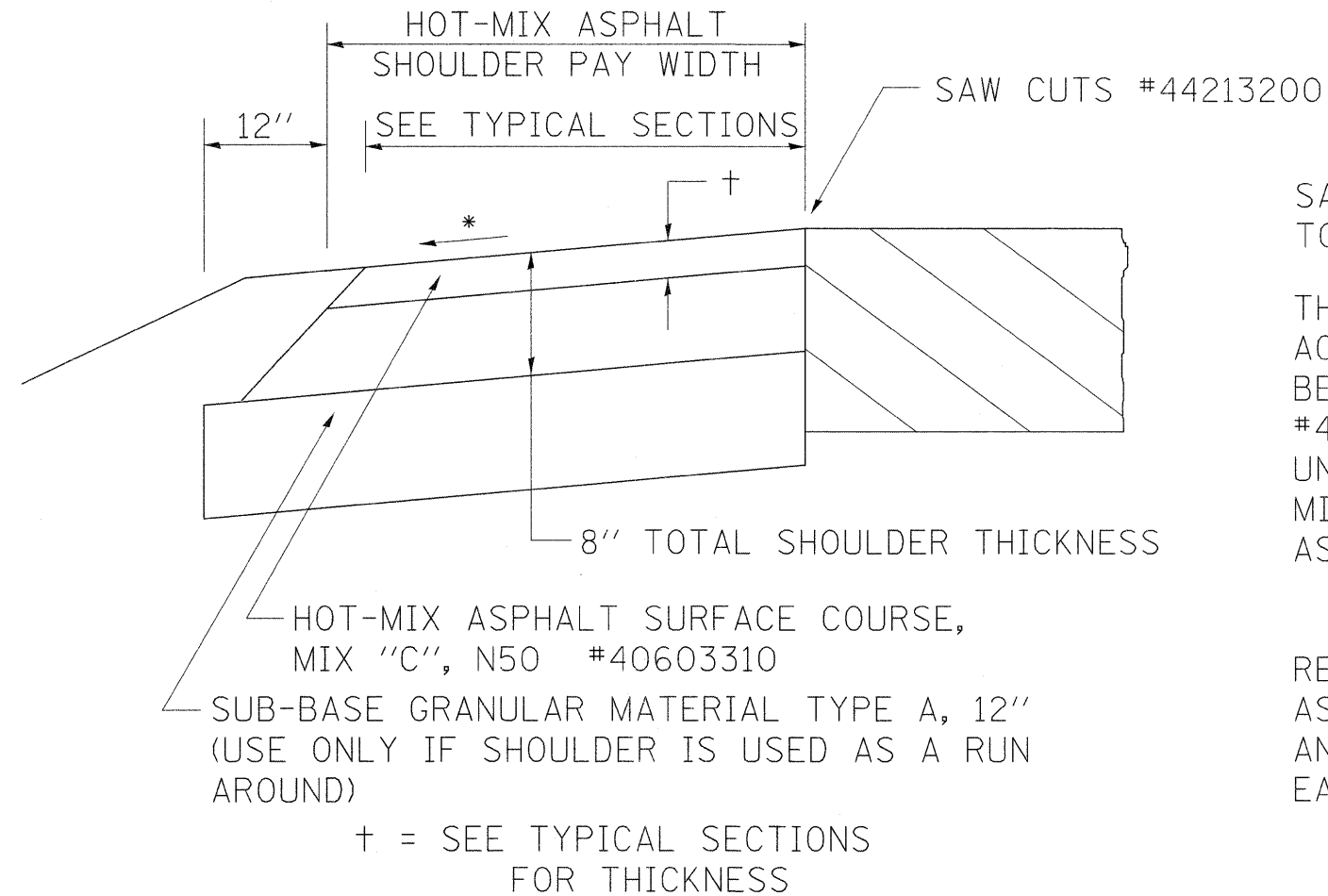


HOT-MIX ASPHALT SHOULDER DETAIL



GENERAL NOTES

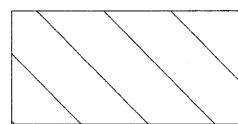
SAW CUT QUANTITY TO BE USED AT THE DISCRETION OF THE ENGINEER TO PROVIDE A NICE STRAIGHT EDGE ALONG THE EXISTING PAVEMENT.

THE HOT-MIX ASPHALT SHOULDER SHALL BE CONSTRUCTED IN ACCORDANCE WITH SECTION 482 EXCEPT THE TOP LIFT SHALL BE HOT-MIX ASPHALT SURFACE COURSE, MIX "C", N50 #40603310. THE WORK WILL BE PAID FOR AT THE CONTRACT UNIT PRICE PER TON FOR HOT-MIX ASPHALT SURFACE COURSE, MIX "C", N50 #40603310 AND SQUARE YARD FOR HOT-MIX ASPHALT SHOULDERS, 6 1/2".

REMOVAL OF MATERIAL FOR PLACEMENT OF THE HOT-MIX ASPHALT SHOULDER TO BE PAID FOR IN UNITS FOR EXCAVATING AND GRADING EXISTING SHOULDERS OR IN CUBIC YARDS FOR EARTH EXCAVATION OR EARTH EXCAVATION WIDENING.

* 4% WHEN MAINLINE IS ON TANGENT. FOR CROSS SLOPE ON SUPERELEVATION SECTION, SEE HIGHWAY STANDARD 482001 OR 482006.

ALL DIMENSIONS ARE IN MILLIMETERS (INCHES) UNLESS OTHERWISE NOTED.



= EXISTING PAVEMENT

FILE NAME =	USER NAME = hensonke	DESIGNED -	REVISED -	STATE OF ILLINOIS DEPARTMENT OF TRANSPORTATION	HOT-MIX ASPHALT SHOULDER DETAIL	F.A.P. RTE.	SECTION	COUNTY	TOTAL SHEETS	SHEET NO.	
ct:\pw_work\p\dot\hensonke\d0133232\020	609-shd-details.dgn	DRAWN -	REVISED -			309	15T-1	WHITESIDE	74	49	
	PLOT SCALE = 20.0000' / in.	CHECKED -	REVISED -			CONTRACT NO. 64F23					
	PLOT DATE = Fri Jun 24 07:44:32 2011	DATE -	REVISED -			SCALE:	SHEET NO.	OF	SHEETS	STA.	TO STA.