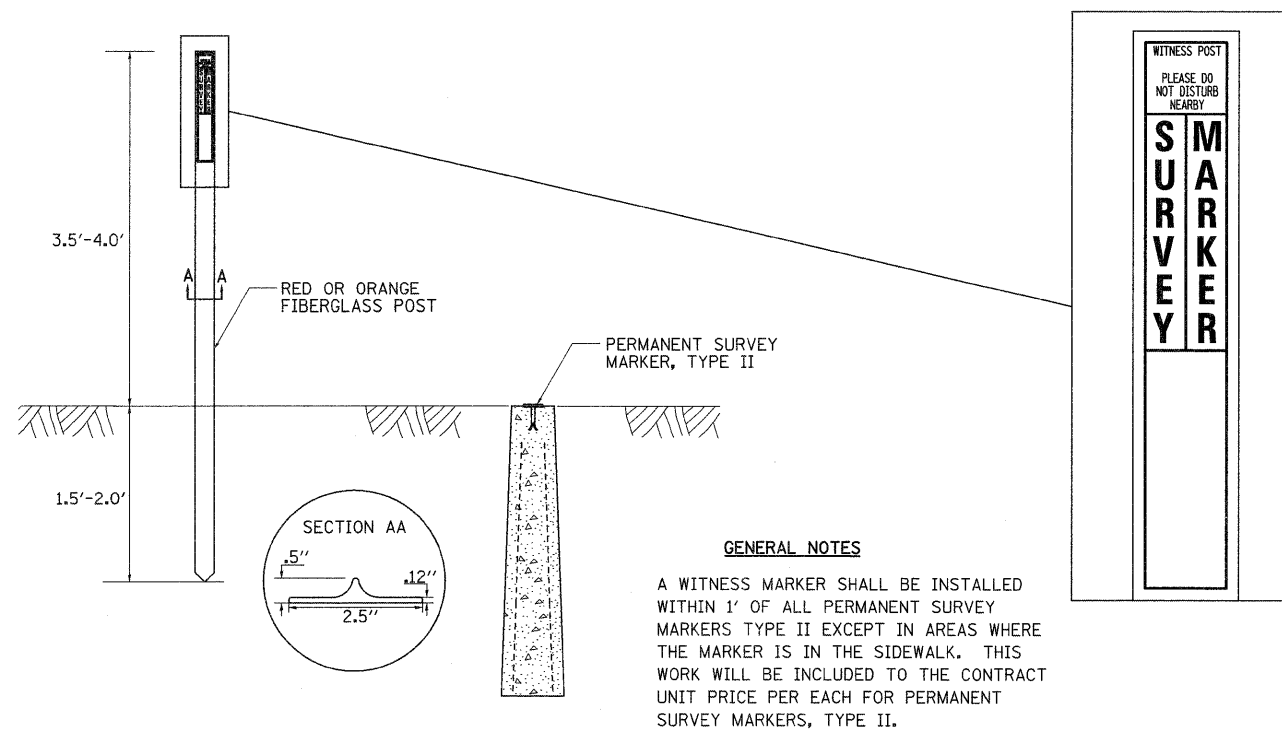
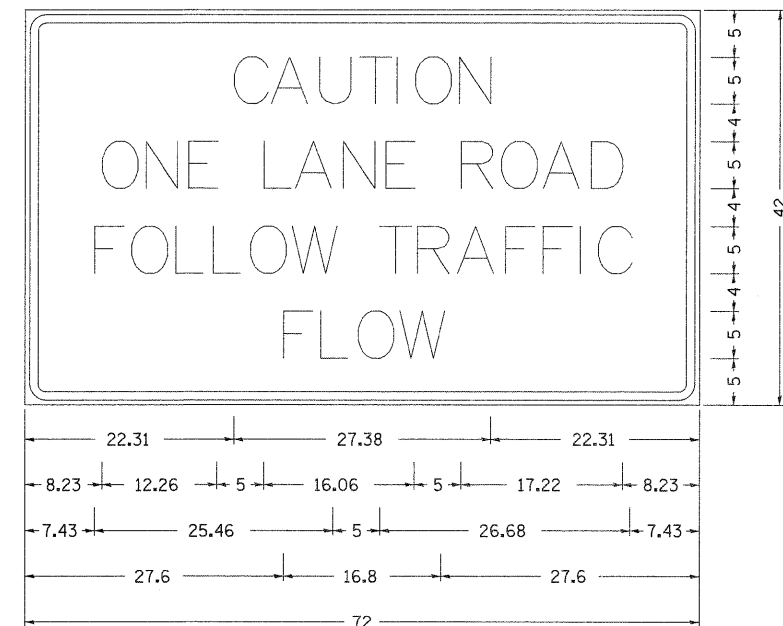


WITNESS MARKER FOR PERMANENT SURVEY MARKERS, TYPE II



ENTRANCE SIGN FOR USE WITH TEMPORARY SIGNALS



Type AA Fluorescent Orange Sheetting ;
2.25" Radius, 0.88" Border, 0.50" Indent, Black on Orange;
[CAUTION] D; [ONE LANE ROAD] D;
[FOLLOW TRAFFIC] D; [FLOW] D

PERMANENT SURVEY MARKERS, TYPE II

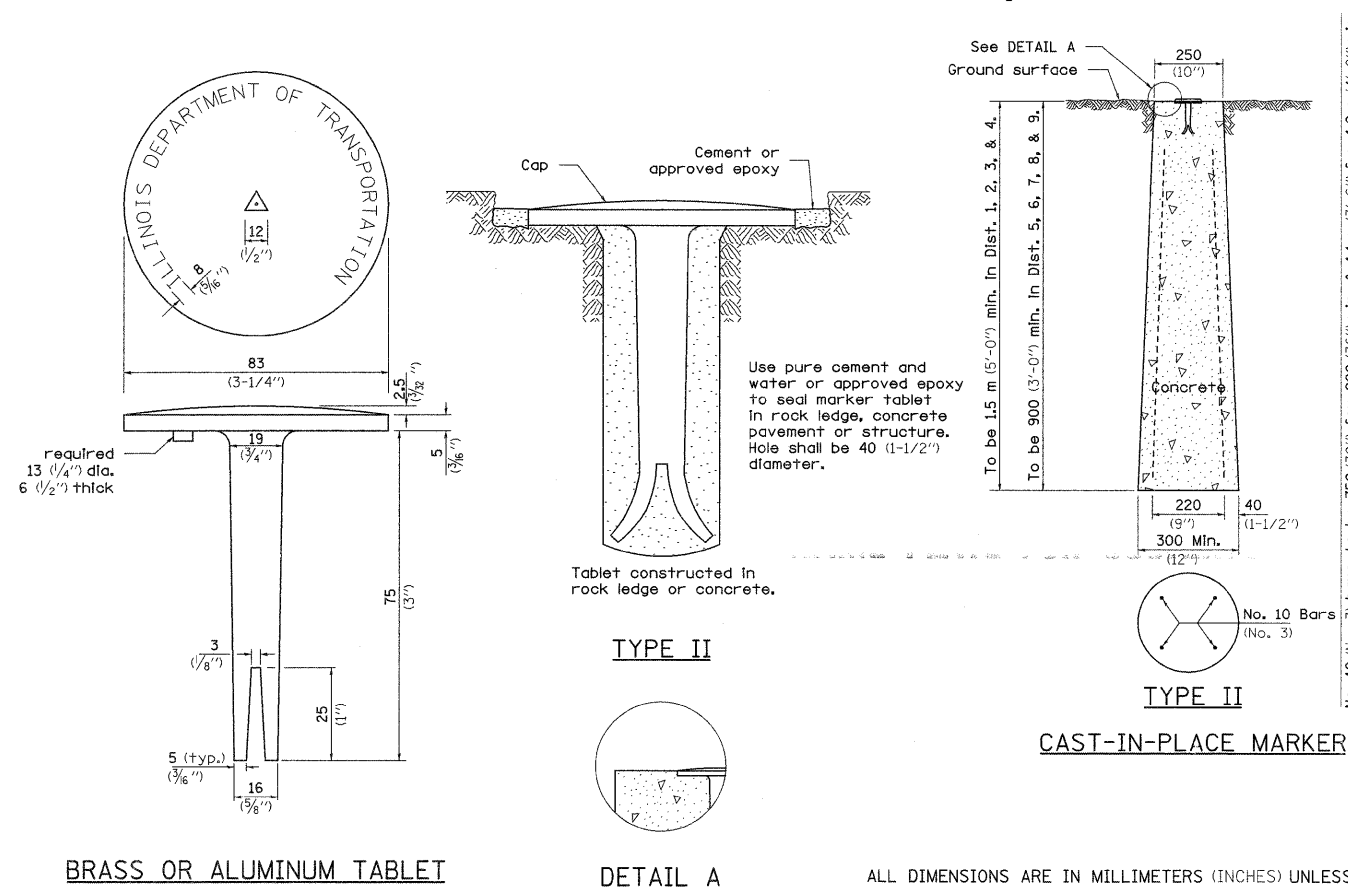


Table Of Widths And Spaces

22.31	C	3.36	0.62	A	4.18	0.94	U	3.36	0.94	T	3.04	0.94	I	0.78	1.17	O	3.52	1.17	N	3.36	22.31	
8.23	O	3.51	1.17	N	3.36	1.18	E	3.04														
	L	3.05	0.31	A	4.18	0.94	N	3.36	1.17	E	3.05											
	R	3.36	0.93	O	3.52	0.94	A	4.18	0.93	D	3.36	8.23										
7.43	F	3.04	0.94	O	3.52	1.17	L	3.04	0.94	L	3.05	0.94	O	3.51	0.94	W	4.37					
	T	3.05	0.94	R	3.36	0.94	A	4.18	0.93	F	3.05	0.94	F	3.04	0.94	I	0.78	1.18	C	3.35	7.43	
27.60	F	3.05	0.94	L	3.04	0.94	O	3.52	0.93	W	4.38	27.60										

GENERAL NOTES

THIS SIGN SHALL BE INSTALLED AT ENTRANCES LOCATED BETWEEN THE TEMPORARY SIGNALS AS DIRECTED BY THE ENGINEER.

ALL DIMENSIONS ARE IN INCHES UNLESS OTHERWISE NOTED.

THE COST TO FURNISH, INSTALL AND REMOVE THIS SIGN AT THE REQUIRED LOCATIONS SHALL BE INCLUDED IN THE COST OF TRAFFIC CONTROL AND PROTECTION STANDARD 701321.

ALL DIMENSIONS ARE IN MILLIMETERS (INCHES) UNLESS OTHERWISE NOTED.

REVISED - 4-4-11

REVISED - 10-28-05

REVISED -

REVISED -

REVISED -

REGION 2 / DISTRICT 2 STANDARD

F.A.P. RTE. 309	SECTION 15T-1	COUNTY WHITESIDE	TOTAL SHEETS 74	SHEET NO. 53
CONTRACT NO. 64F23				

SCALE: 20,000 / 1" SHEET NO. OF SHEETS STA. TO STA.

FED. ROAD DIST. NO. ILLINOIS FED. AID PROJECT