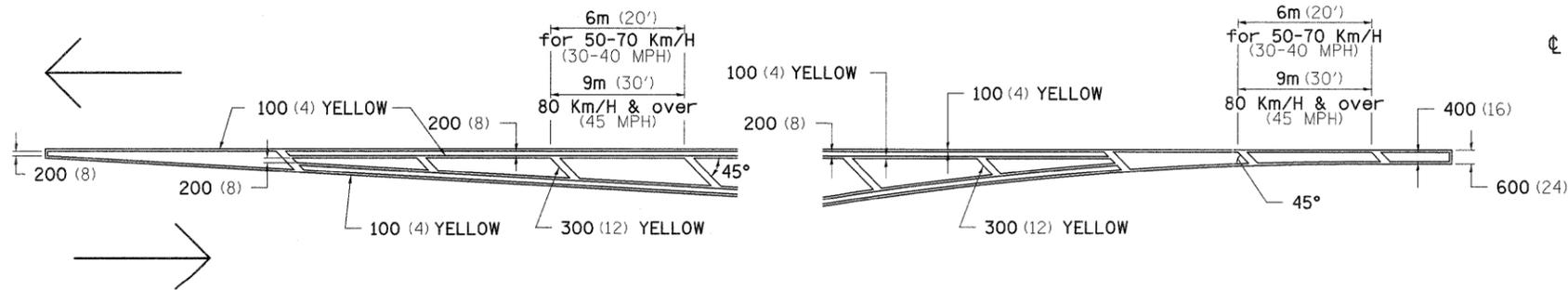
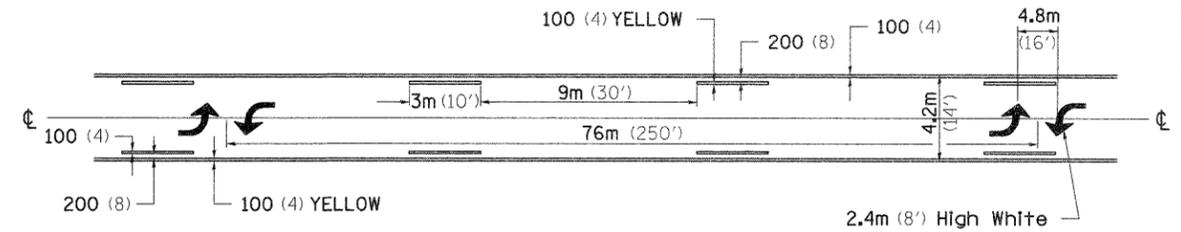


TYPICAL PAVEMENT MARKINGS

TYPICAL PAVEMENT MARKING FOR FLUSH MEDIAN AT LEFT TURN LANE

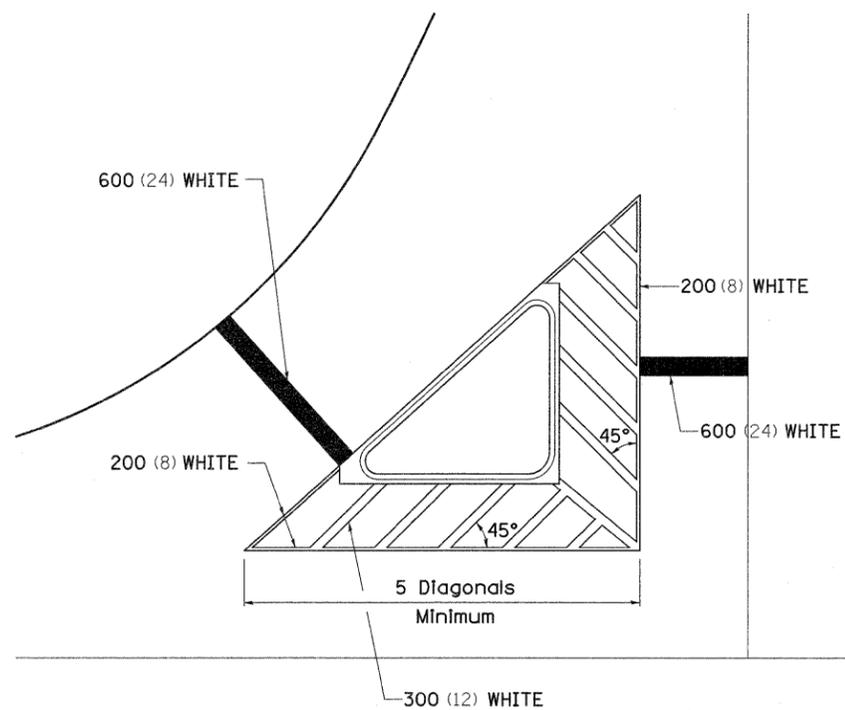


MEDIAN PAVEMENT MARKING

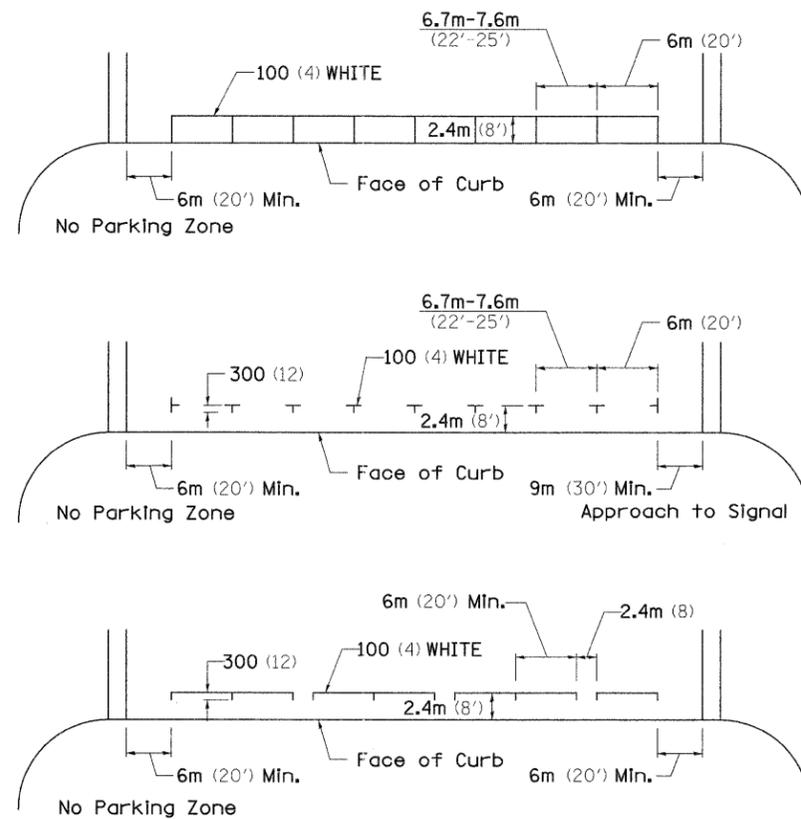


** ALL DIMENSIONS ARE IN MILLIMETERS (INCHES) UNLESS OTHERWISE NOTED.

TYPICAL ISLAND OFFSET SHOULDER WIDTH

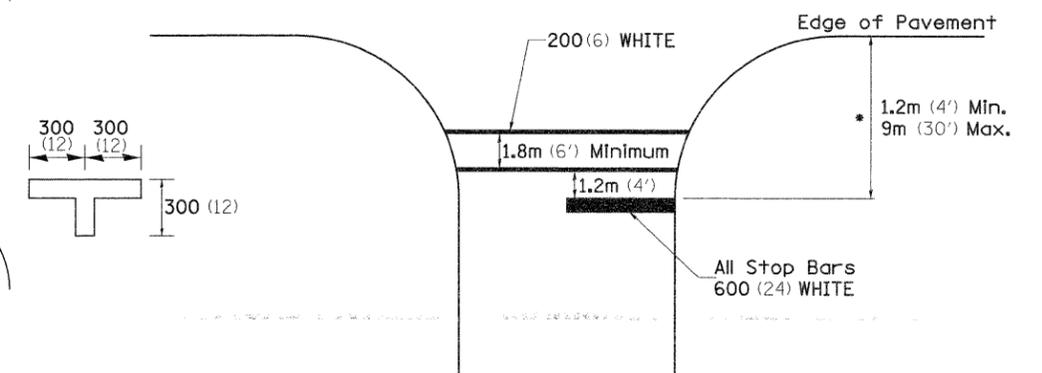


TYPICAL PARKING SPACING



STANDARD CROSSWALK MARKING

See Schedules for Locations



* Distance to the nearest edge of the intersecting roadway in the absence of a marked crosswalk.

FILE NAME =	USER NAME = hensonke	DESIGNED -	REVISED - 10-21-08	STATE OF ILLINOIS DEPARTMENT OF TRANSPORTATION	REGION 2 / DISTRICT 2 STANDARD	F.A.P. RTE. =	SECTION	COUNTY	TOTAL SHEETS	SHEET NO.
c:\pwwork\pwwork\hensonke\d0133232\020609-sht-details.dgn	DRAWN -	REVISED -	309			15T-1	WHITESIDE	74	57	
PLOT SCALE = 20,0000' / 1m.	CHECKED -	REVISED -	CONTRACT NO. 64F23							
PLOT DATE = Fri Jun 24 07:44:35 2011	DATE -	REVISED -	FED. ROAD DIST. NO. ILLINOIS FED. AID PROJECT							