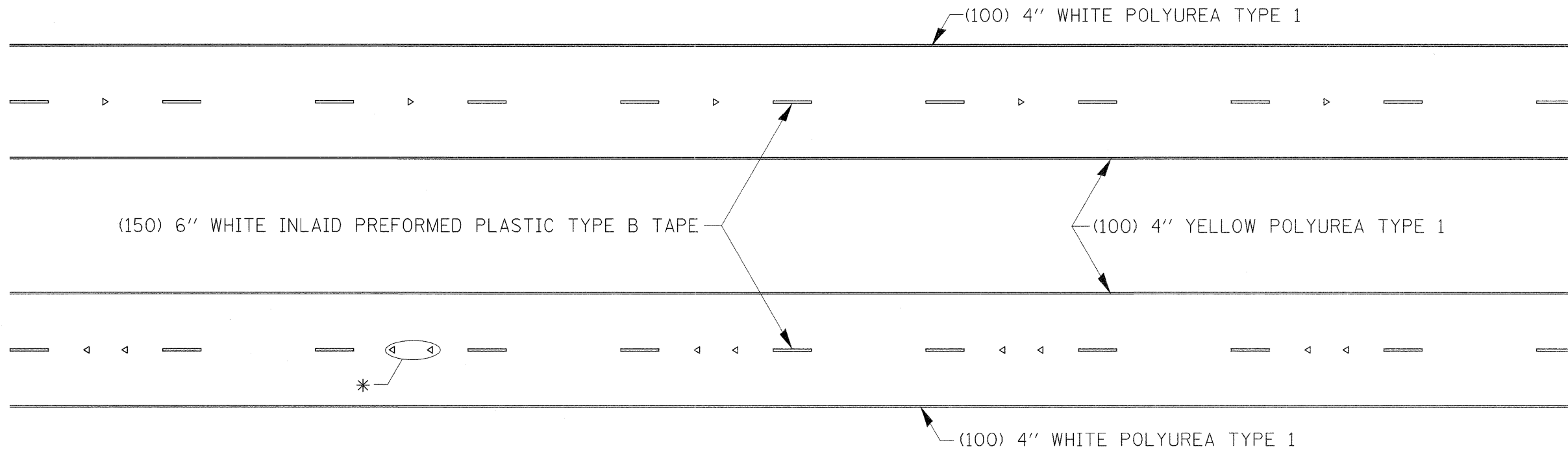
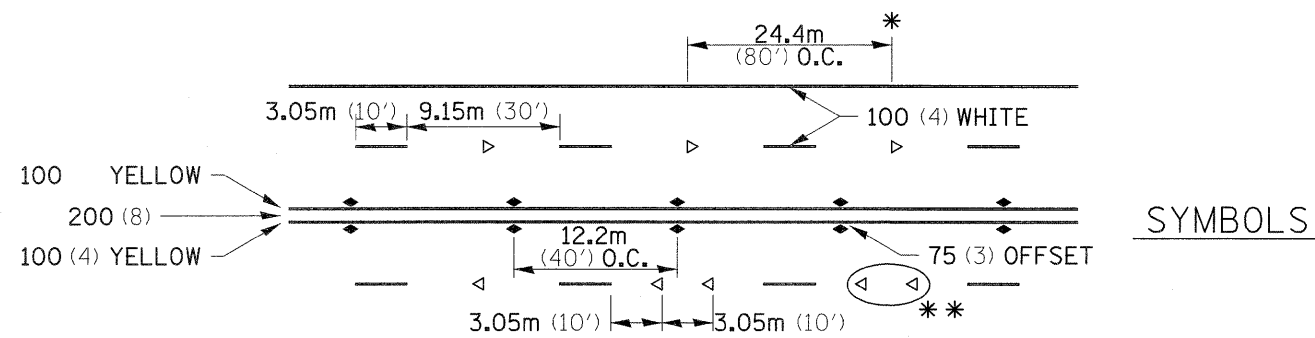


# TYPICAL PAVEMENT MARKINGS



\* SEE HIGHWAY STANDARD 781001 FOR SPACING DETAILS.  
USE DOUBLE MARKERS WHEN ADT ≥ 25,000.

## MULTI-LANE / DIVIDED

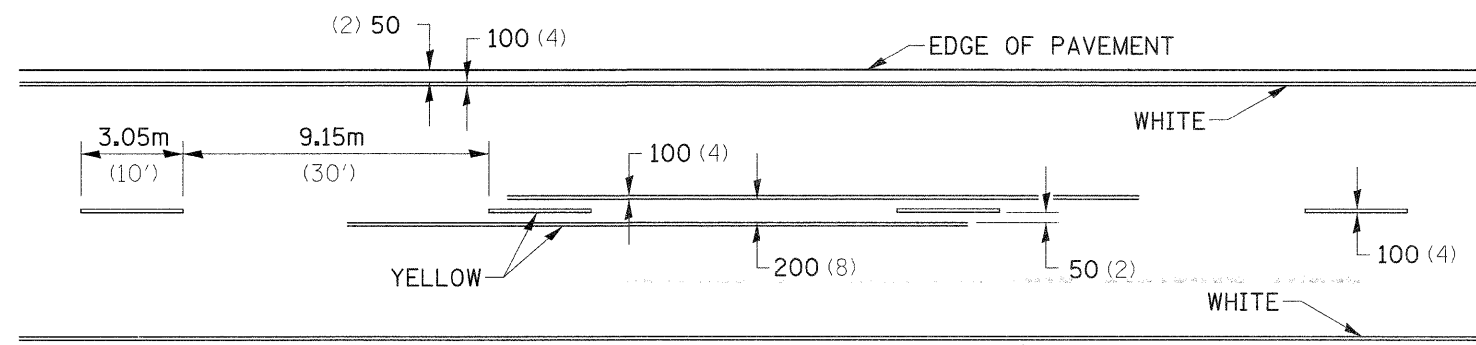


\* REDUCE TO 12.2m (40') O.C. ON CURVES WHERE ADVISORY SPEEDS ARE 15Km/H (10MPH) LOWER THAN POSTED SPEEDS.

\*\* USE DOUBLE MARKERS WHEN ADT ≥ 25,000

## MULTI-LANE / UNDIVIDED

## TYPICAL PAVEMENT MARKING FOR TWO LANE SECTION - NO PASSING ZONES



FILE NAME =	USER NAME = hensonka	DESIGNED -	REVISED - 10-21-08	<b>STATE OF ILLINOIS DEPARTMENT OF TRANSPORTATION</b>	<b>REGION 2 / DISTRICT 2 STANDARD</b>	F.A.P. RTE.	SECTION	COUNTY	TOTAL SHEETS	SHEET NO.	
ct:\pw_work\pxidot\hensonka\d0133232\0206609-ahd-detail1.dgn	6609-ahd-detail1.dgn	DRAWN -	REVISED -			309	1ST-1	WHITESIDE	74	59	
PLOT SCALE = 20,0000' / 1in.		CHECKED -	REVISED -			CONTRACT NO. 64F23					
PLOT DATE = Fri Jun 24 07:44:36 2011		DATE -	REVISED -			FED. ROAD DIST. NO. ILLINOIS FED. AID PROJECT					