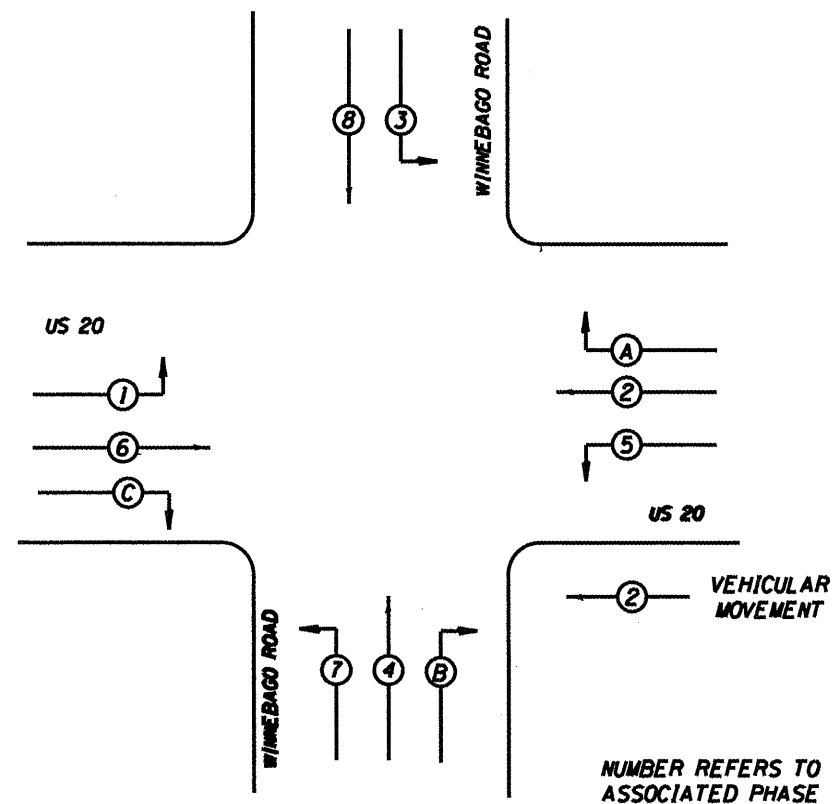


PHASE DESIGNATION DIAGRAM



- NOTE
1. PHASES 1 & 5 ARE PROTECTED PHASES ONLY
 2. THERE ARE FOUR(4) SEPERATE EMERGENCY PREEMPTS.

- NOTE:
1. MODIFY 11 MAST ARM MOUNTED EXISTING BACKPLATES
 2. MODIFY 10 POST MOUNTED EXISTING BACKPLATES
 3. INSTALL GREEN GROUND CONDUCTOR IN EXISTING CONDUIT
 4. INSTALL DETECTION CONTROL SYSTEM
 5. REMOVE AND REPLACE CONTROLLER CABINET

FILE NAME =	USER NAME = h11k1	DESIGNED -	REVISED -	STATE OF ILLINOIS DEPARTMENT OF TRANSPORTATION	US 20 AT WINNEBAGO RD PLAN SHEET	F.A.P. RTE.	SECTION	COUNTY	TOTAL SHEETS	SHEET NO.	
P:\Projects\us 20 pec and winn 2011\64H1.dgn		DRAWN -	REVISED -			301	117, 40M-3	WINNEBAGO	17	5	
PLOT SCALE = 41.009' / in.		CHECKED -	REVISED -			CONTRACT NO. 64H15					
PLOT DATE = Fri Jun 24 13:19:40 2011		DATE -	REVISED -			ILLINOIS FED. AID PROJECT					