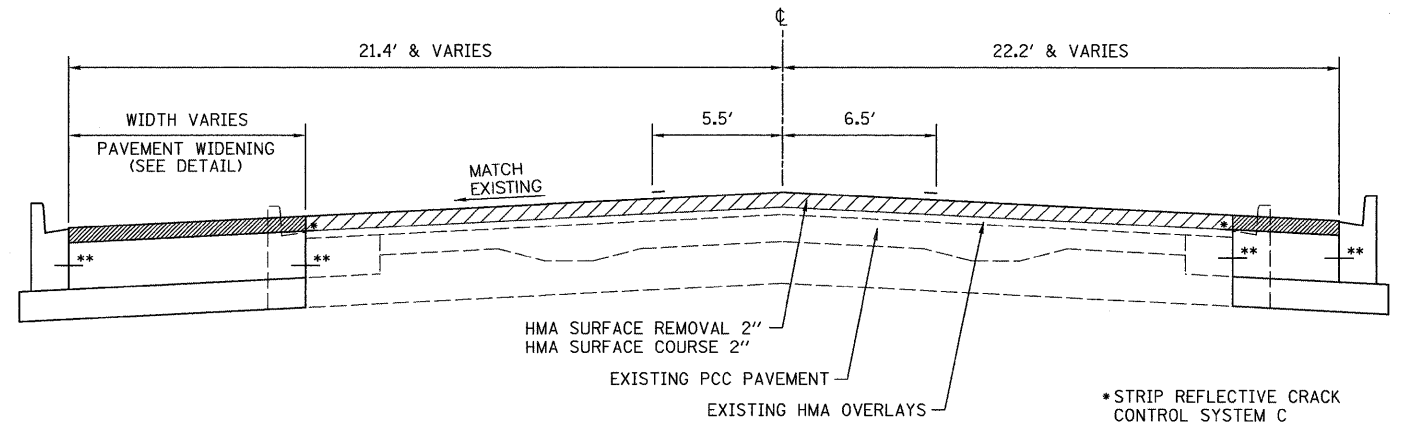


PAVEMENT WIDENING REQUIRED AT NE & SW CORNERS OF FISK STREET INTERSECTION. SEE PAVEMENT WIDENING DETAIL ON SHEET 11

PROPOSED ROADWAY TYPICAL SECTION - IL 23

STA. 1241+25.00 TO STA. 1242+98.26(BK)
 STA. 16+60.23(AH) TO STA. 37+45.14
 STA. 45+39.92 TO STA. 67+82.90

STATION EQUATIONS
 STA. 1242+98.26 (BK) = STA. 16+60.23 (AH)
 STA. 71+19.40 (BK) = STA. 10+15.00 (AH)

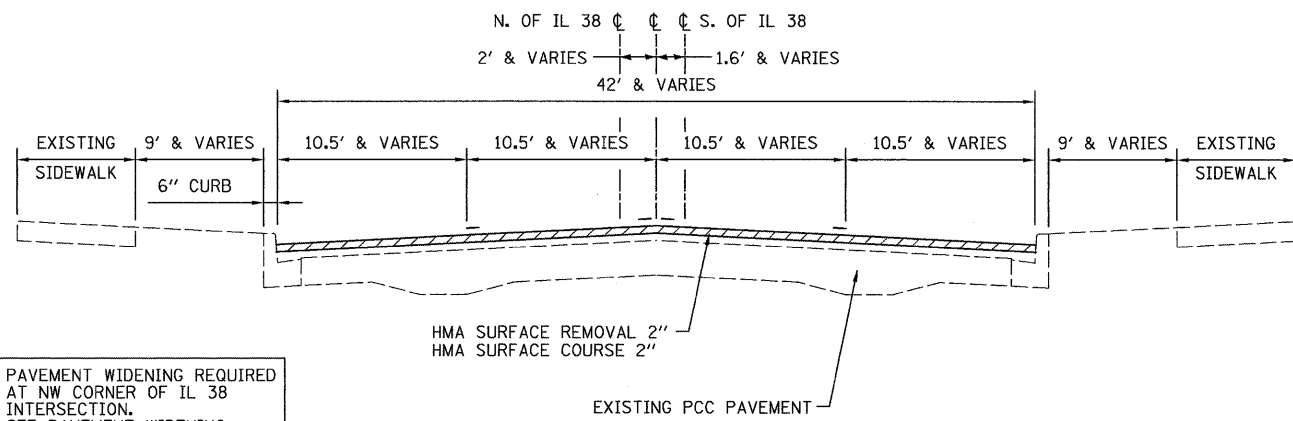


PROPOSED ROADWAY TYPICAL SECTION - IL 23

STA. 70+19.34 TO STA. 71+19.40(BK)
 STA. 10+15.00(AH) TO STA. 10+94.19

• STRIP REFLECTIVE CRACK CONTROL SYSTEM C

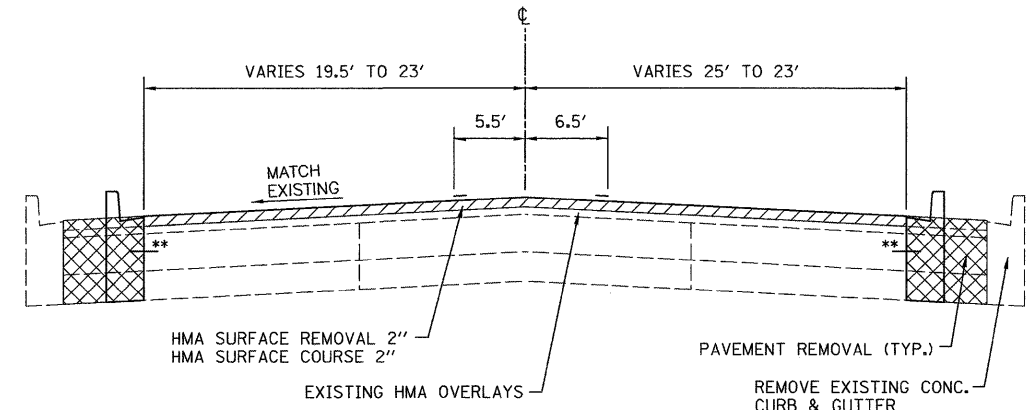
** PROPOSED NO. 6X30" TIE BARS @ 30" CTS.



PAVEMENT WIDENING REQUIRED AT NW CORNER OF IL 38 INTERSECTION. SEE PAVEMENT WIDENING DETAIL ON SHEET 11

PROPOSED ROADWAY TYPICAL SECTION - IL 23

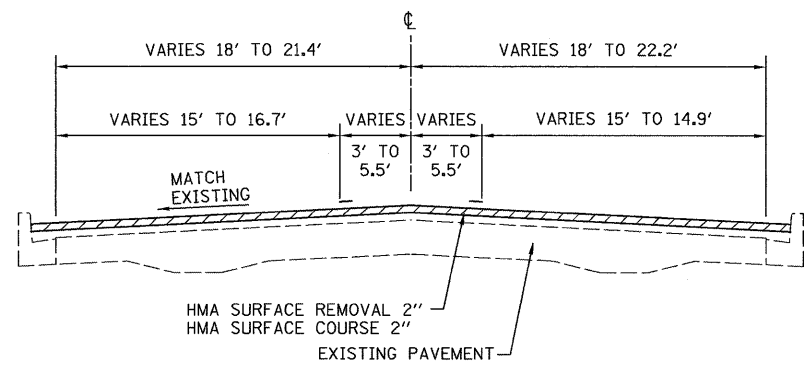
STA. 37+45.14 TO STA. 45+39.92



** PROPOSED NO. 6X30" TIE BARS @ 30" CTS.

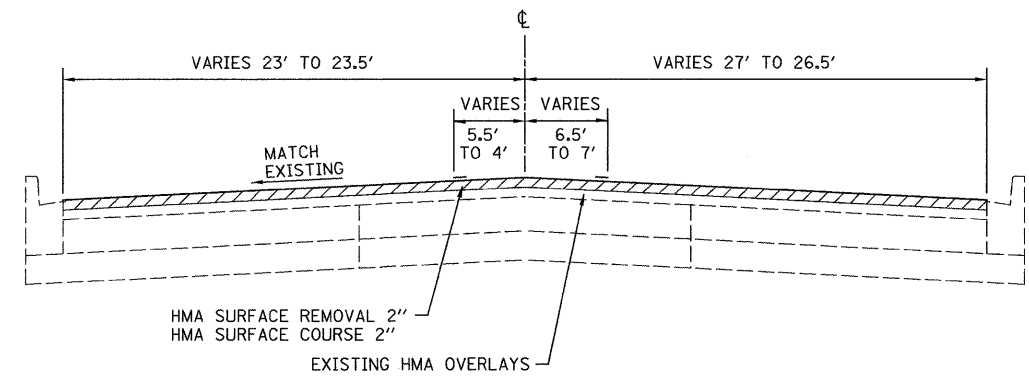
PROPOSED ROADWAY TYPICAL SECTION - IL 23

STA. 10+94.19 TO STA. 12+64.20



PROPOSED ROADWAY TYPICAL SECTION - IL 23

STA. 67+82.90 TO STA. 70+19.34



PROPOSED ROADWAY TYPICAL SECTION - IL 23

STA. 12+64.20 TO STA. 15+38.14

FILE NAME = 0366983-SHT-TYPICAL.DGN
 USER NAME = ---
 PLOT SCALE = 1"=20'
 PLOT DATE = 01/11

DESIGNED - DJD
 DRAWN - NV
 CHECKED - DJD
 DATE - 01/11

REVISED - ---
 REVISED - ---
 REVISED - ---
 REVISED - ---

**STATE OF ILLINOIS
 DEPARTMENT OF TRANSPORTATION**

TYPICAL SECTIONS

SCALE: 1"=20' SHEET NO. ___ OF ___ SHEETS STA. TO STA.

F.A.P. RTE. 68	SECTION (28)N, TS & I	COUNTY DEKALB	TOTAL SHEETS 120	SHEET NO. 10
CONTRACT NO. 66983				
FED. ROAD DIST. NO. _ ILLINOIS FED. AID PROJECT				