
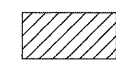

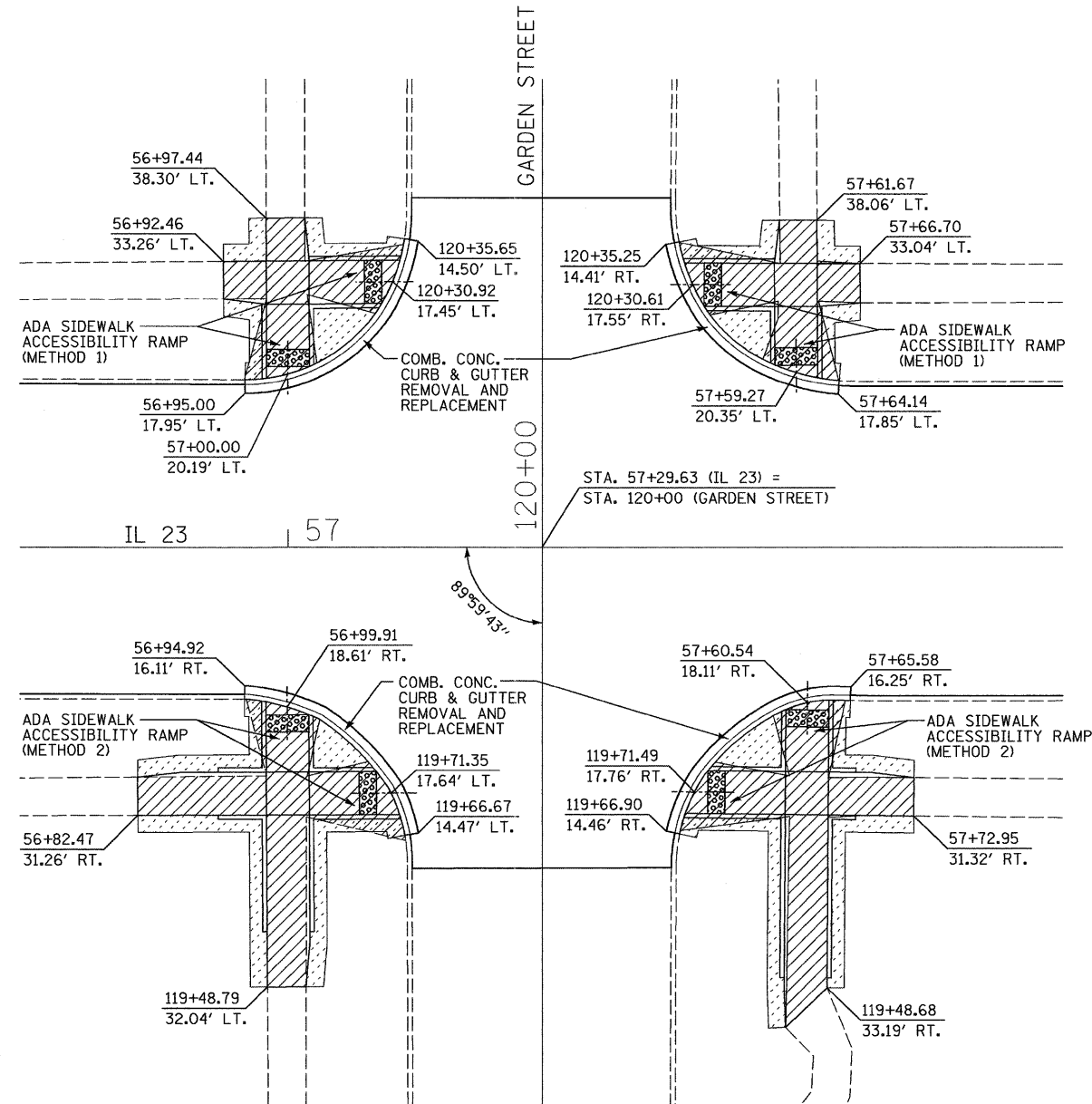


-  DETECTABLE WARNING
-  SIDEWALK REMOVAL
-  SODDING

SEE SHEET 92-98
FOR ADA SIDEWALK
ACCESSIBILITY RAMP
DETAILS.



FILE NAME = 0366983-SHT-INTERSEC.DGN	USER NAME = ---	DESIGNED - DJD	REVISED - ---
		DRAWN - NV	REVISED - ---
		CHECKED - DJD	REVISED - ---
		DATE - 01/11	REVISED - ---

PLOT SCALE = 1"=20'	CHECKED - DJD	REVISED - ---
PLOT DATE = 01/11	DATE - 01/11	REVISED - ---

**STATE OF ILLINOIS
DEPARTMENT OF TRANSPORTATION**

**INTERSECTION DETAIL
GARDEN STREET**

SCALE: 1"=20' SHEET NO. ___ OF ___ SHEETS STA. TO STA.

F.A.P. RTE.	SECTION	COUNTY	TOTAL SHEETS	SHEET NO.
68	(28)N, TS & I	DEKALB	120	56
CONTRACT NO. 66983				
FED. ROAD DIST. NO. _ ILLINOIS FED. AID PROJECT				