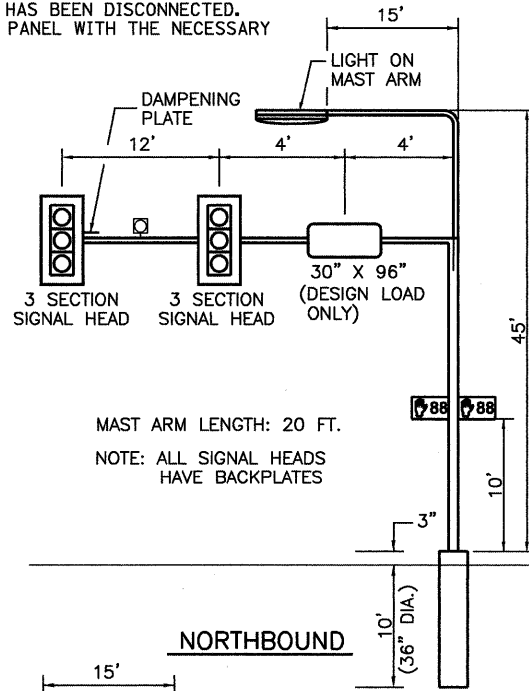


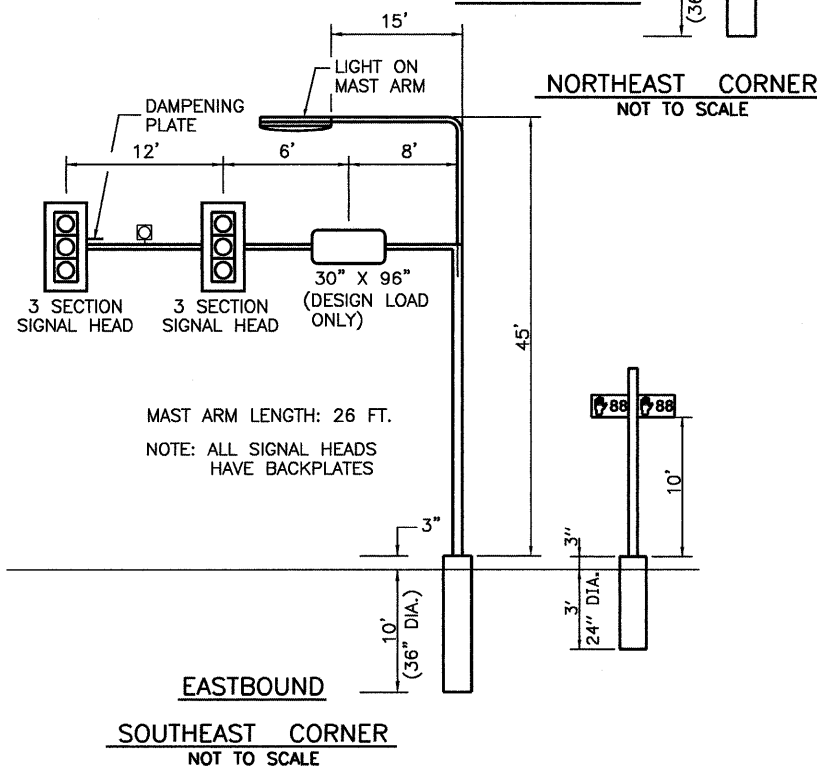
DETECTOR LOOP INDUCTANCE CHART

DETECTOR LOOP SYSTEM	Ø	LOCATION	TURNS PER LOOP	INDUCTANCE READING (MICROHENRIES)	FREQUENCY (HERTZ)	J PIN STATUS
A	6	SB FAR	5	268	37287	ON
B	6	SB THRU	4	300	35185	OFF
C	8	WB THRU	4	443	28982	ON
D	8	WB LT	4	438	29156	ON
E	2	NB FAR	5	843	21010	ON
F	2	NB THRU	4	272	36990	OFF
G	4	EB THRU	4	284	36207	ON
H	4	EB LT	4	286	36040	ON

J PIN STATUS: "ON" MEANS STANDARD DETECTOR SETUP. "OFF" MEANS J WIRE HAS BEEN DISCONNECTED, BUT INTACT, AT THE HARNESS PANEL WITH THE NECESSARY

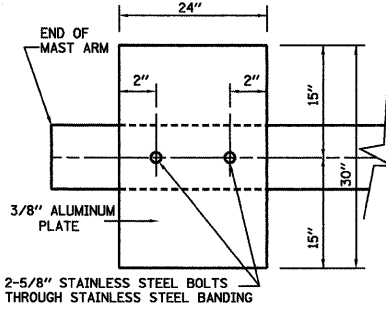


MAST ARM LENGTH: 20 FT.  
NOTE: ALL SIGNAL HEADS HAVE BACKPLATES



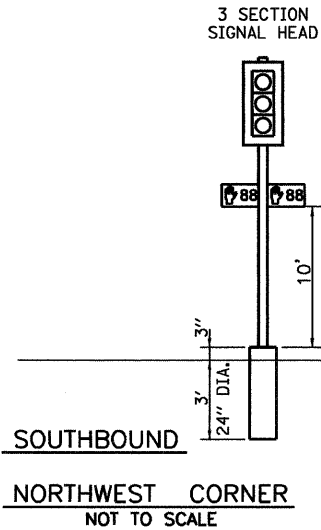
MAST ARM LENGTH: 26 FT.  
NOTE: ALL SIGNAL HEADS HAVE BACKPLATES

NOTE:  
DAMPENING DEVICE SHALL CONSIST OF A 24" X 30" TYPE 1, UNPAINTED ALUMINUM SIGN STOCK MOUNTED HORIZONTALLY ON TOP OF MAST ARM WITH THE 30" LENGTH PERPENDICULAR TO THE ARM. COST OF THE DAMPENING DEVICE IS INCLUDED IN THE MAST ARM PAY ITEM.

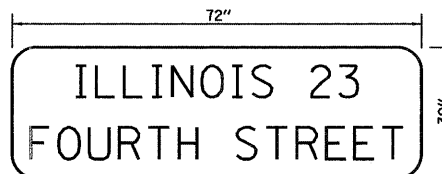


NOTE:  
MOUNT DAMPENING PLATE TO END OF EACH TRAFFIC SIGNAL MAST ARM.

DAMPENING PLATE DETAIL - TOP VIEW

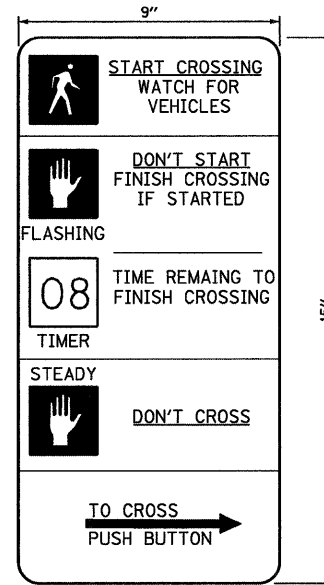


SOUTHBOUND  
NORTHWEST CORNER  
NOT TO SCALE



TYPE ZZ SHEETING REQUIRED  
6" D SERIES LETTERS (CITY STREET LETTERING)  
8" D SERIES LETTERS (STATE ROUTE LETTERING)  
2 SIGNS REQUIRED = 15.0 SQ. FT. EACH  
= 30.0 SQ. FT. TOTAL

THIS STREET NAME SIGN SHALL BE PLACED ON THE MAST ARMS PARALLEL WITH FOURTH STREET (IL 23)

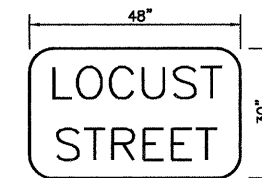


THE CONTRACTOR SHALL SUPPLY AND MOUNT ONE SIGN WITH EACH PEDESTRIAN PUSH-BUTTON AND THIS SHALL BE INCLUDED IN THE COST OF PEDESTRIAN PUSH-BUTTON PAY ITEM.

ELECTRICAL LOAD FOR INTERSECTION

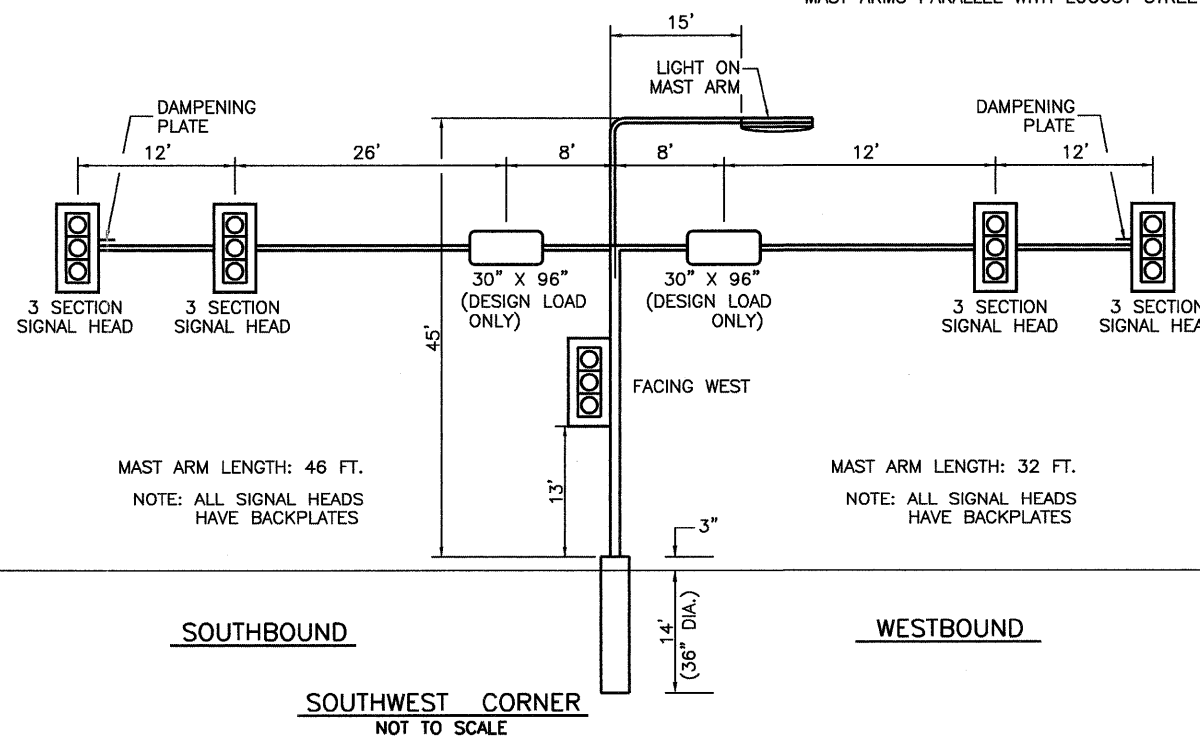
STREET NAME	COMPONENT	NUMBER	WATTAGE EACH	BURNTIME %
FOURTH STREET (IL 23)	RED	6	10	58
	YELLOW	6	22	4
	GREEN	6	12	38
	88	4	6	100
	88	4	5	13
LOCUST STREET	RED	6	10	75
	YELLOW	6	22	4
	GREEN	6	12	21
	88	4	6	100
	88	4	5	13
TRAFFIC SIGNAL CABINET	CONTROLLER	1	6	100
	UPS	1	50	100
	VEHICLE DETECTORS	4	4	100
	EMERGENCY VEHICLE PREEMPT	4	--	--
	LIGHTING	LUMINAIRE	3	250

AGENCY RESPONSIBLE FOR TRAFFIC SIGNAL ENERGY CHARGES:  
CITY OF DEKALB



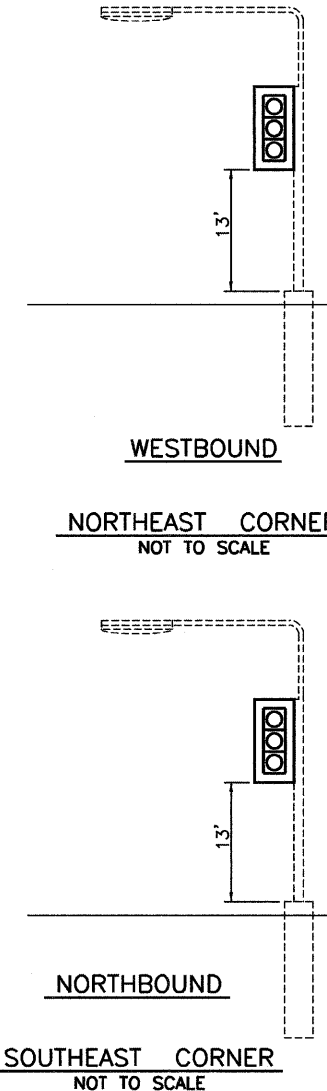
TYPE ZZ SHEETING REQUIRED  
8" D SERIES LETTERS  
2 SIGNS REQUIRED = 10.0 SQ. FT. EACH  
= 20.0 SQ. FT. TOTAL

THIS STREET NAME SIGN SHALL BE PLACED ON THE MAST ARMS PARALLEL WITH LOCUST STREET



MAST ARM LENGTH: 46 FT.  
NOTE: ALL SIGNAL HEADS HAVE BACKPLATES

MAST ARM LENGTH: 32 FT.  
NOTE: ALL SIGNAL HEADS HAVE BACKPLATES



WESTBOUND  
NORTHEAST CORNER  
NOT TO SCALE

SOUTHEAST CORNER  
NOT TO SCALE