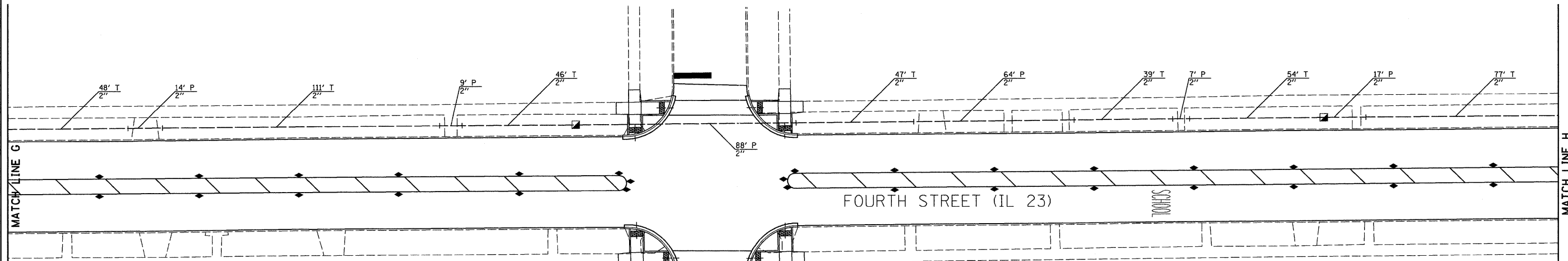
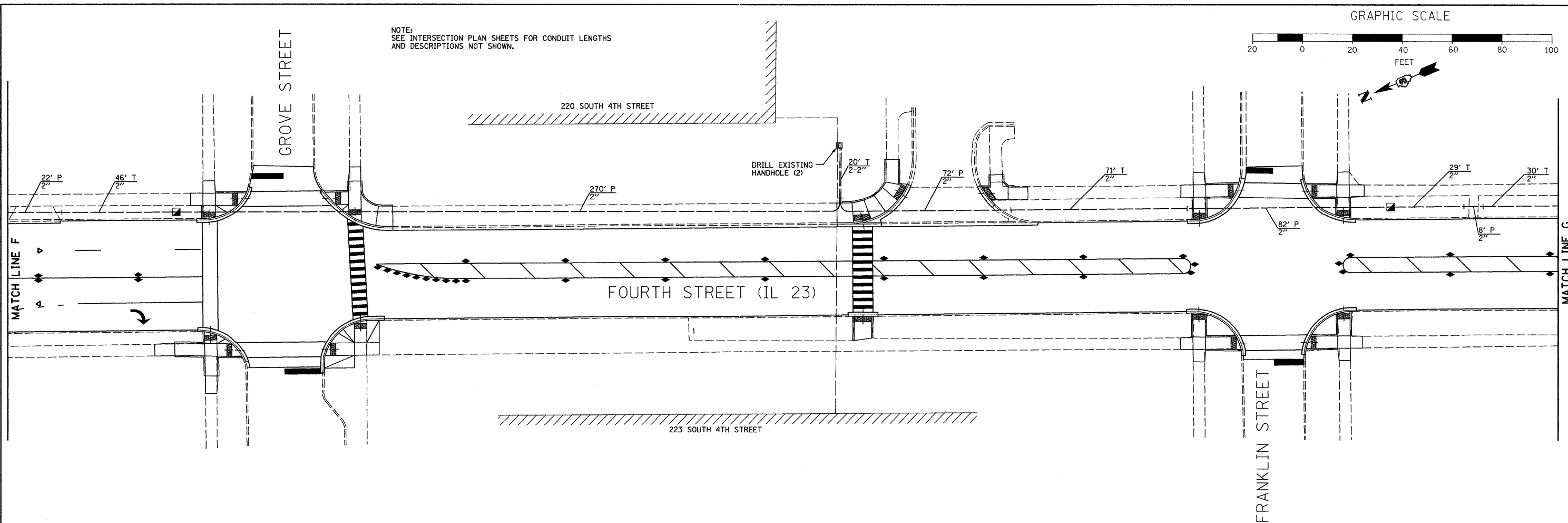


GRAPHIC SCALE



NOTE:
SEE INTERSECTION PLAN SHEETS FOR CONDUIT LENGTHS
AND DESCRIPTIONS NOT SHOWN.



CONSTRUCTION NOTES:

1. THE MASTER CONTROLLER SHALL BE LOCATED AT THE DEKALB ENGINEERING ANNEX BUILDING AT 223 SOUTH 4TH STREET.
2. NEW AND EXISTING HANDHOLES SHALL BE USED AS SHOWN.
3. FIBER OPTIC CABLE IN CONDUIT SHALL BE PAID TO EXISTING HANDHOLE LOCATED SOUTHWEST OF THE BUILDING AT 220 SOUTH 4TH STREET. FIBER OPTIC CABLE INCLUDING SLACK FROM HANDHOLE TO MASTER CONTROLLER SHALL BE INCLUDED IN THE COST OF THE MASTER CONTROLLER.

SCHEDULE OF QUANTITIES

ITEM NO.	DESCRIPTION	UNIT	TOTAL QUANTITY
81012600	CONDUIT IN TRENCH, 2" DIA., PVC	FOOT	638
81021330	CONDUIT PUSHED, 2" DIA., PVC	FOOT	653
81400700	HANDHOLE, PORTLAND CEMENT CONCRETE	EACH	4
81900200	TRENCH AND BACKFILL FOR ELECTRICAL WORK	FOOT	618
86000105	MASTER CONTROLLER (SPECIAL)	EACH	1
86400100	TRANSCEIVER-FIBER OPTIC	EACH	1
87100160	FIBER OPTIC CABLE IN CONDUIT 62.5/125 24F	FOOT	1330
87900200	DRILL EXISTING HANDHOLE	EACH	2
86325096	OPTIMIZE TRAFFIC SIGNAL SYSTEM 2	L SUM	1
*3002213	ELECTRIC CABLE IN CONDUIT, TRACER, NO. 14 1C	FOOT	1330

TRAFFIC SIGNALS LEGEND

EXISTING	PROPOSED	DESCRIPTION
		CONTROLLER CABINET
		CONDUIT
		HANDHOLE
		DOUBLE HANDHOLE

FILE NAME = 0366983-SHT-TS-INTERCONNECT.DGN	USER NAME = --	DESIGNED - DJD	REVISED - ---
		DRAWN - ARR	REVISED - ---
		CHECKED - DJD	REVISED - ---
		DATE - 01/11	REVISED - ---

**STATE OF ILLINOIS
DEPARTMENT OF TRANSPORTATION**

**TRAFFIC SIGNAL INTERCONNECT PLAN
FAP 68 (IL 23)/FOURTH STREET**

SCALE: 1" = 20' SHEET NO. ___ OF ___ SHEETS STA. _____ TO STA. _____

F.A.P. RTE. 68	SECTION (28)N, TS & I	COUNTY DEKALB	TOTAL SHEETS 120	SHEET NO. 86
				CONTRACT NO. 66983
ILLINOIS FED. AID PROJECT				