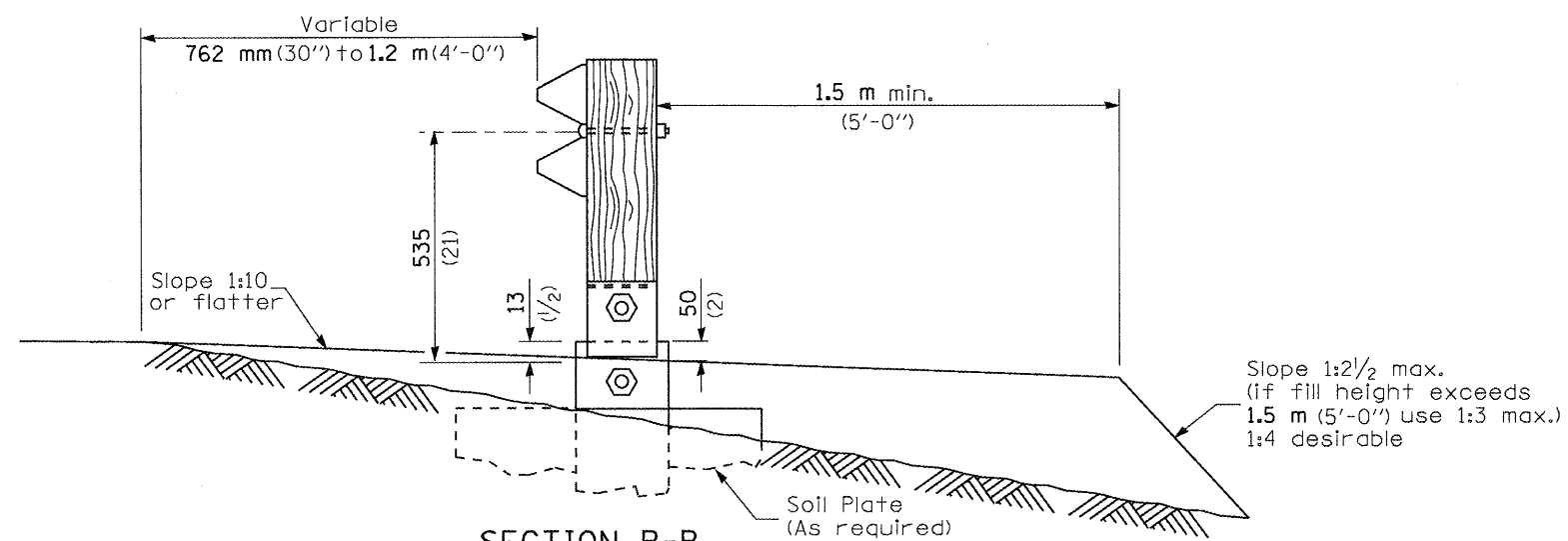


**SHOULDER WIDENING TRANSITION
FOR FLARED TERMINAL**



SECTION B-B
(End section omitted for clarity.)

FILE NAME =	USER NAME = Sparkag	DESIGNED -	REVISED -	STATE OF ILLINOIS DEPARTMENT OF TRANSPORTATION	PRE-MGS HIGHWAY STANDARD 630301-03 SHOULDER WID. FOR TYPE 1 (SPL) GUARDRAIL TERMINAL EFFECTIVE 4-1-06				F.A. RTE.	SECTION	COUNTY	TOTAL SHEETS	SHEET NO.
ca:\pw_work\pwidot\sparkag\10262291\0672E39-eh-207-630301-03_ShldWidenForType1Gdr	DRAWN -	REVISED -	REVISED -		SCALE:	SHEET NO.	OF	SHEETS	STA.	TO STA.	VAR	18	12
PLOT SCALE = 0:26.000 ms / 1in.	CHECKED -	REVISED -	REVISED -		(SHEET 2 OF 2)				CONTRACT NO. 72E39				
PLOT DATE = Apr-01-2011 09:43:58AM	DATE -	REVISED -	REVISED -		ILLINOIS FED. AID PROJECT								