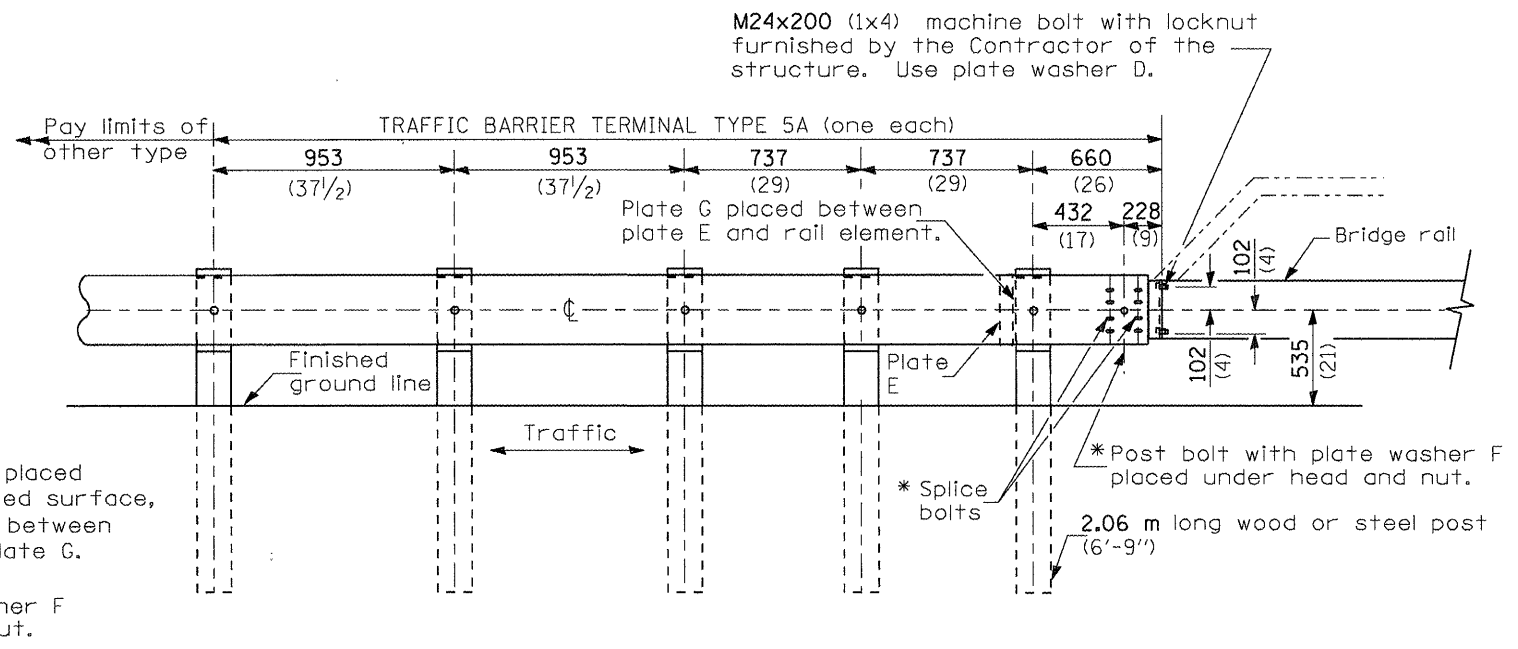
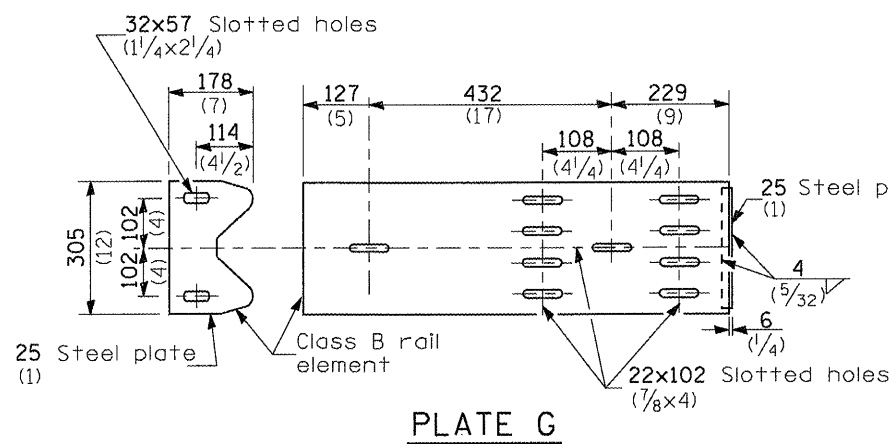


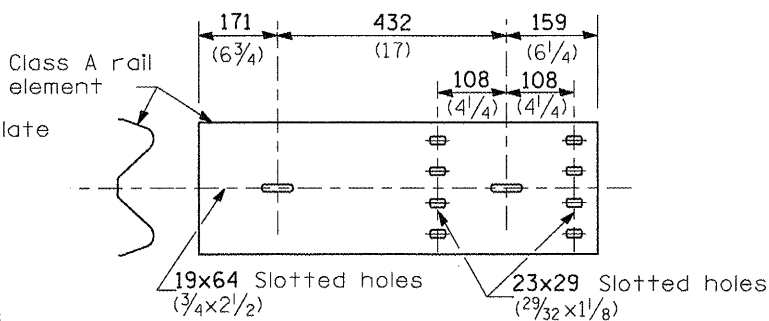
**TYPE 5 - CONCRETE BRIDGE PARAPET**



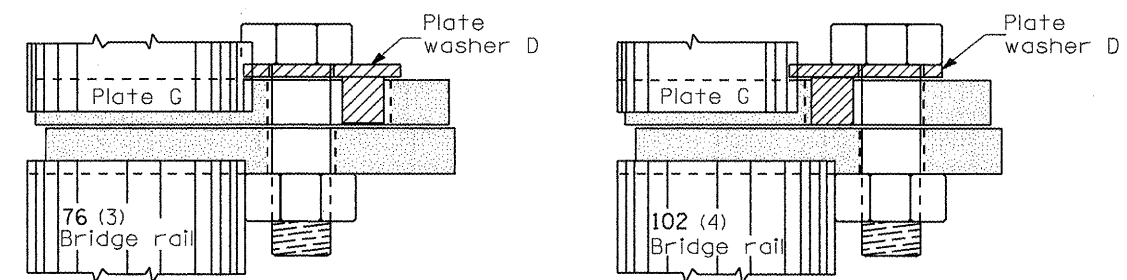
**TYPE 5A - STEEL BRIDGE RAIL**



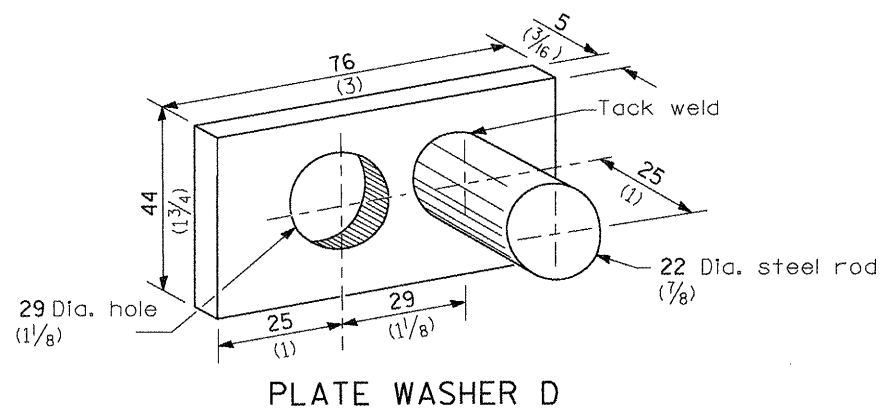
**PLATE G**



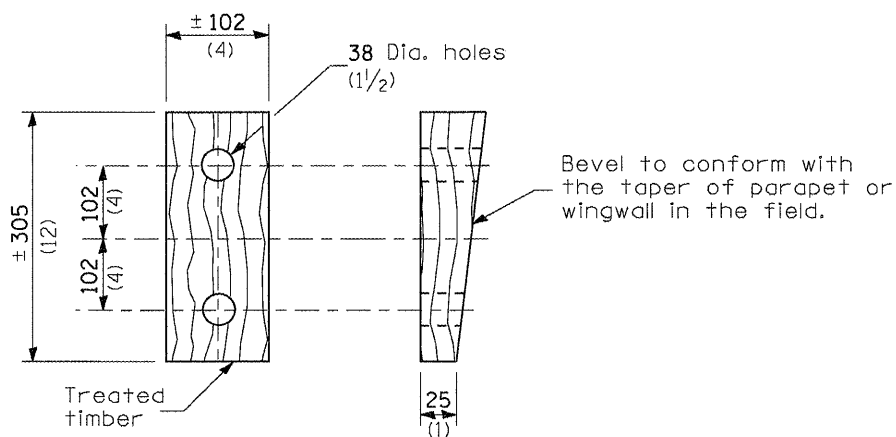
**PLATE E**



**PLACEMENT OF PLATE WASHER D (PLAN)**



**PLATE WASHER D**



**WEDGE M**

**GENERAL NOTES**

Install plate washer D so that the 25 mm (1") projection fills the remainder of the slotted holes in the 25 mm (1") end plate on plate G after the M24 (1") dia. bolts are in place.

\* Bolts shall be provided with locknut or double nut and shall be tightened only to a point that will allow plate G to be free to move when an expansion joint exists below the connector.

See Standard 630001 for details of guardrail not shown.

All dimensions are in millimeters (inches) unless otherwise shown.

FILE NAME =	USER NAME = Spkrgsk	DESIGNED -	REVISED -	<b>STATE OF ILLINOIS DEPARTMENT OF TRANSPORTATION</b>	<b>PRE-MGS HIGHWAY STANDARD 631026-02 TRAFFIC BARRIER TERMINAL TYPE 5 &amp; 5A EFFECTIVE 4-1-2006</b>	F.A. RTE.	SECTION	COUNTY	TOTAL SHEETS	SHEET NO.
es:\pwork\pwork\spkrgsk\d0262291\067239-sh-t-207-631026-02-TrafBarTermType5&5A.dwg	DRAWN -	REVISED -	VAR			VAR	VAR	18	14	
PLOT SCALE = 0:25.000 mm / in.	CHECKED -	REVISED -								CONTRACT NO. 72E39
PLOT DATE = Apr-01-2011 09:44:09AM	DATE -	REVISED -								[ILLINOIS] FED. AID PROJECT
					SCALE:	SHEET NO.	OF SHEETS	STA.	TO STA.	(SHEET 1 OF 1)