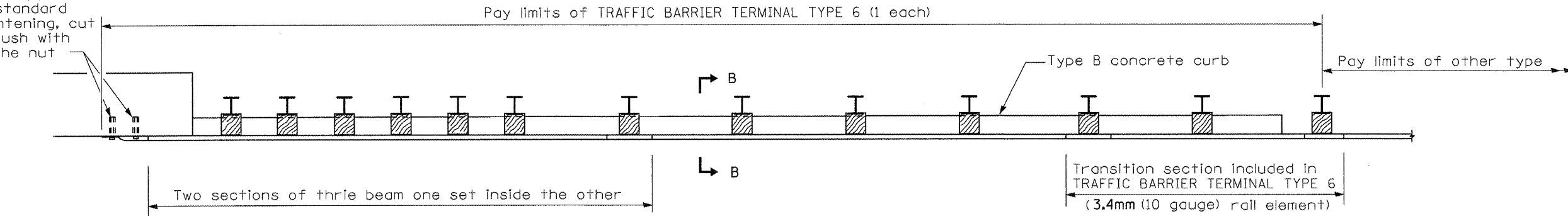
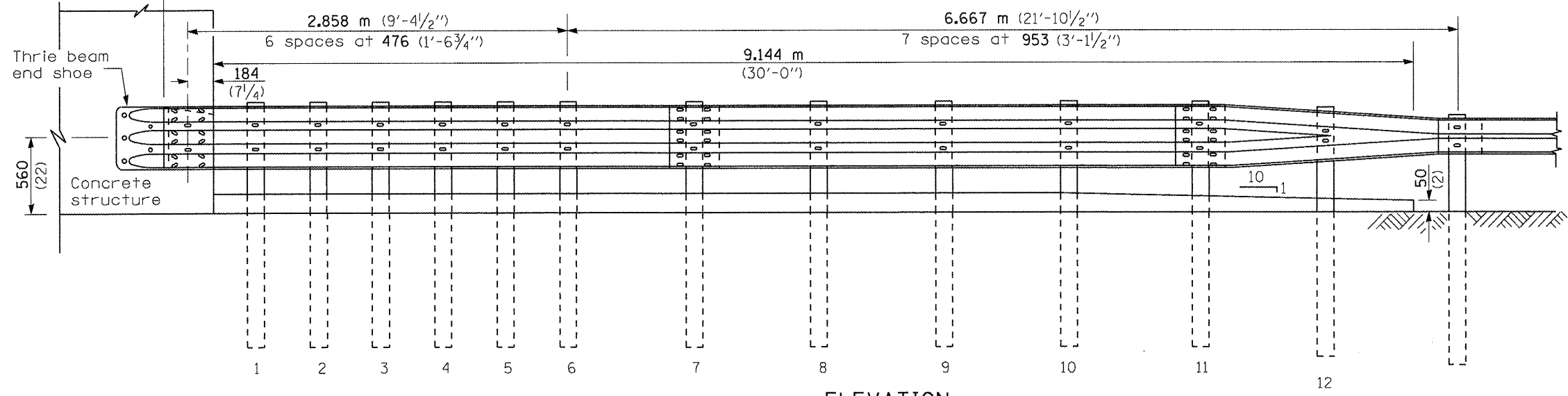


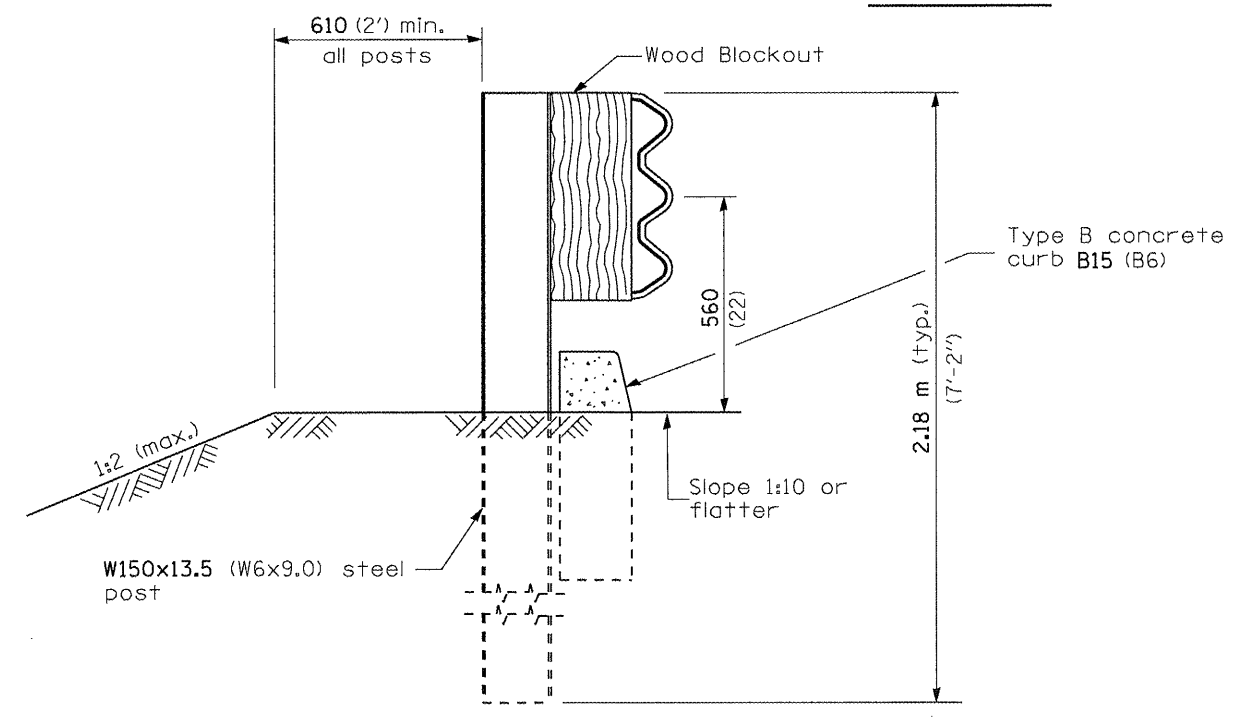
5 Epoxy grouted M20 (3/4") anchor bolts with standard washers. After tightening, cut the anchor bolts flush with nuts, and damage the nut to prevent it from loosening.



PLAN



ELEVATION



SECTION B-B

FILE NAME =	USER NAME = Sparks	DESIGNED -	REVISED -
c:\pwork\pwork\sparks\0262291\067E39\sh-207-631031-05_TraFBarTermType6.dgn		DRAWN -	REVISED -
		CHECKED -	REVISED -
		DATE -	REVISED -

STATE OF ILLINOIS
DEPARTMENT OF TRANSPORTATION

PRE-MGS HIGHWAY STANDARD 631031-05
TRAFFIC BARRIER TERMINAL, TYPE 6
EFFECTIVE 4-1-06
(SHEET 2 OF 3)

F.A. RTE.	SECTION	COUNTY	TOTAL SHEETS	SHEET NO.
VAR	.	VAR	18	16
CONTRACT NO. 72E39			ILLINOIS FED. AID PROJECT	