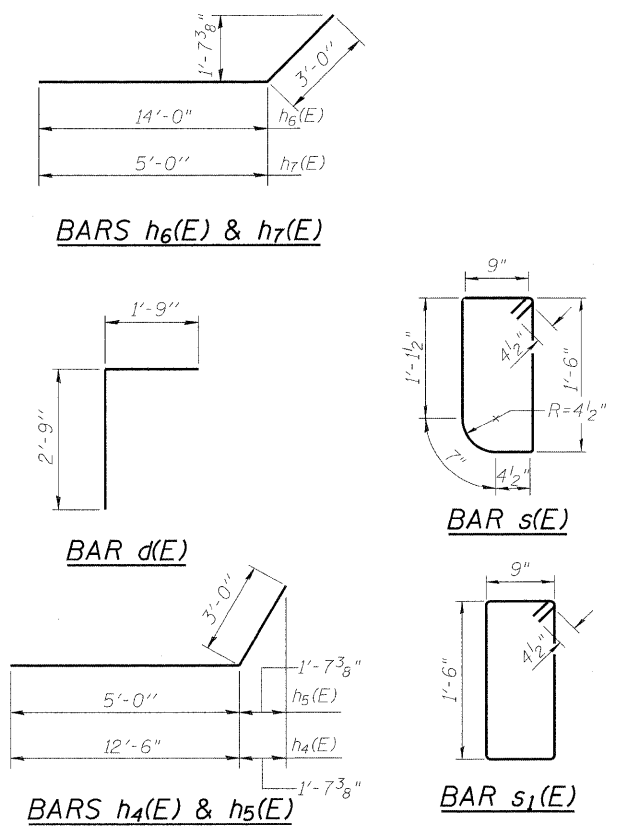
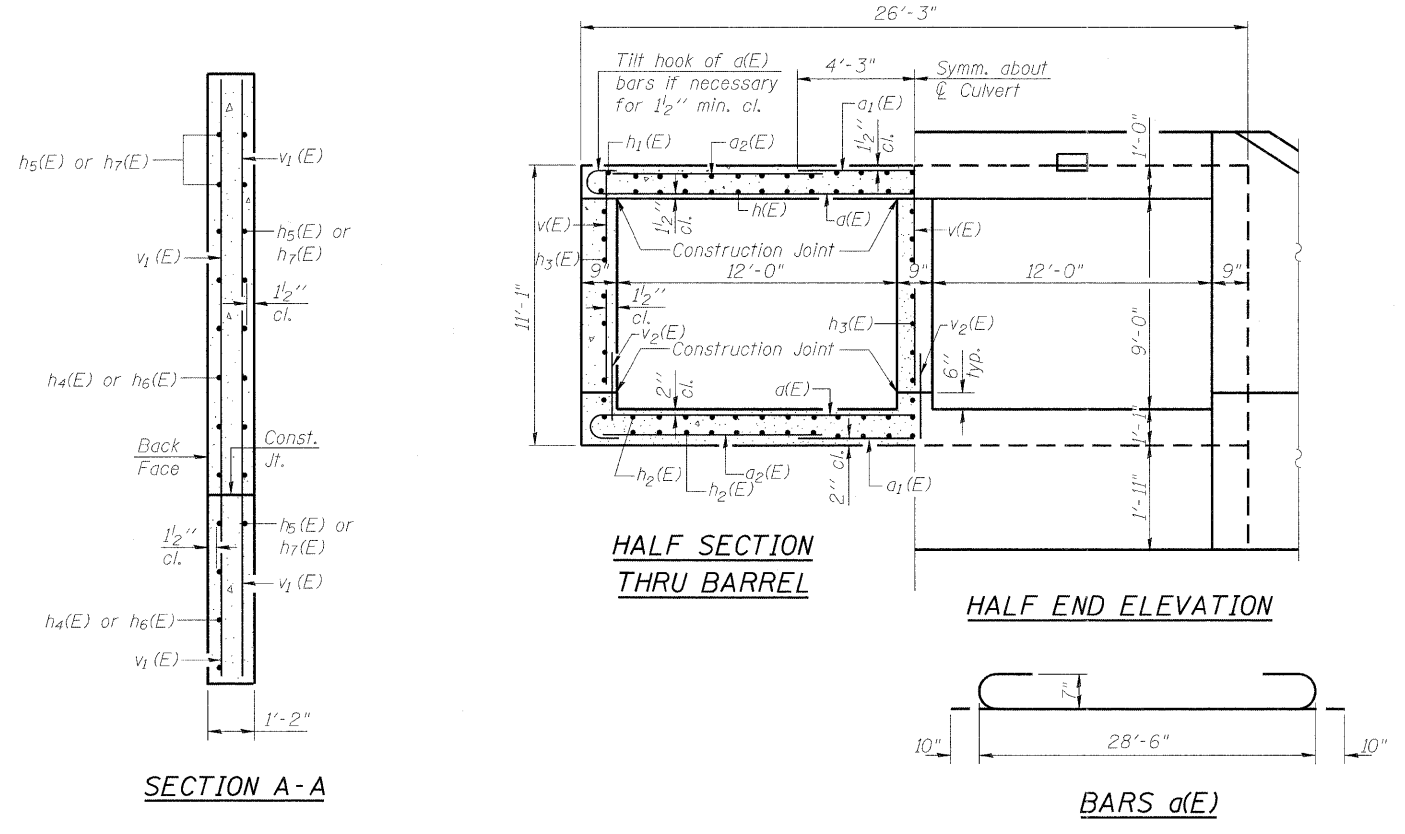


MIN. BAR LAP

#5 bars = 2'-7"
 Notes:
 A distance of half the length of the wingwall but not less than six feet of the barrel shall be poured monolithically with the wingwalls.
 See Sheet 4 of 7 for Plan View.
 See Sheet 6 of 7 for Bar Splicer Details.

BILL OF MATERIAL

Bar	No.	Size	Length	Shape
a(E)	144	#7	30'-4"	U
a1(E)	144	#7	8'-6"	—
a2(E)	144	#5	11'-4"	—
d(E)	52	#4	4'-6"	L
h(E)	72	#6	23'-9"	—
h1(E)	54	#4	23'-9"	—
h2(E)	120	#5	23'-9"	—
h3(E)	72	#6	23'-9"	—
h4(E)	24	#8	15'-6"	—
h5(E)	38	#8	8'-0"	—
h6(E)	24	#8	17'-0"	—
h7(E)	46	#8	8'-0"	—
h8(E)	14	#6	28'-7"	—
s(E)	30	#4	5'-1"	□
s1(E)	30	#4	5'-3"	□
v(E)	202	#5	9'-2"	—
v1(E)	16	#4	13'-5"	—
v2(E)	202	#5	4'-2"	—
Concrete Box Culverts		Cu. Yd.	163.2	
Reinforcement Bars, Epoxy Coated		Pound	29,900	
Bar Splicers		Each	159	



TranSystems
 1475 East Woodfield Road, Suite 600
 Schaumburg, IL 60173
 Phone: (847) 605-9600
 Fax: (847) 605-9610