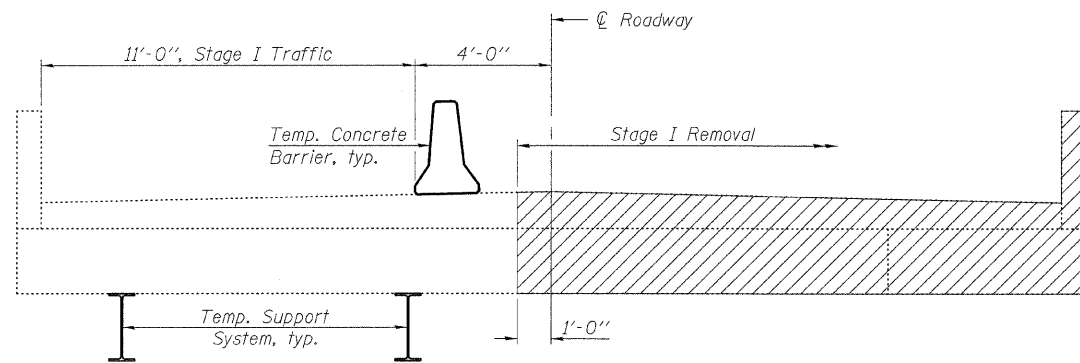
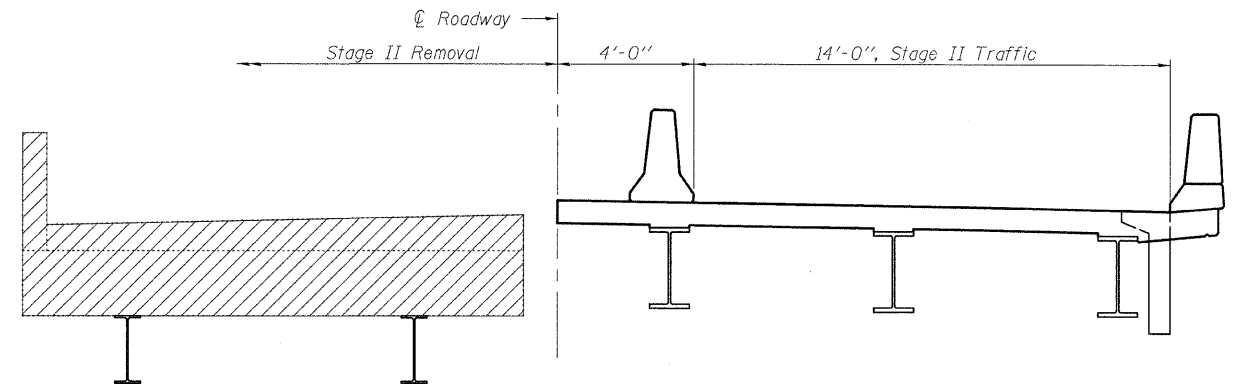


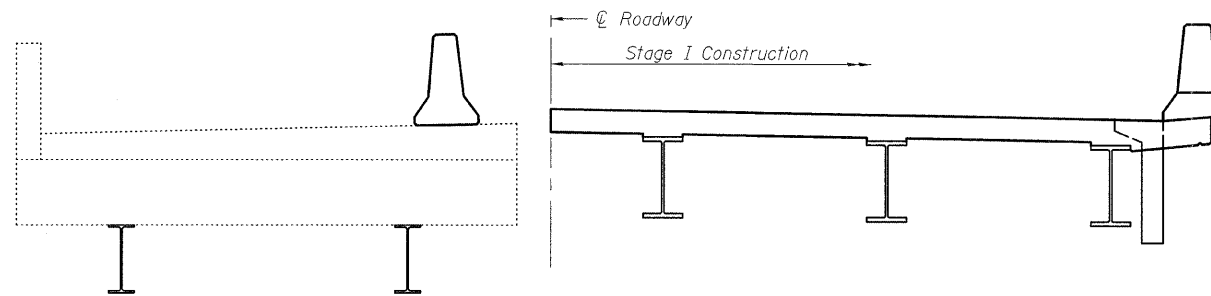
STATE OF ILLINOIS  
DEPARTMENT OF TRANSPORTATION



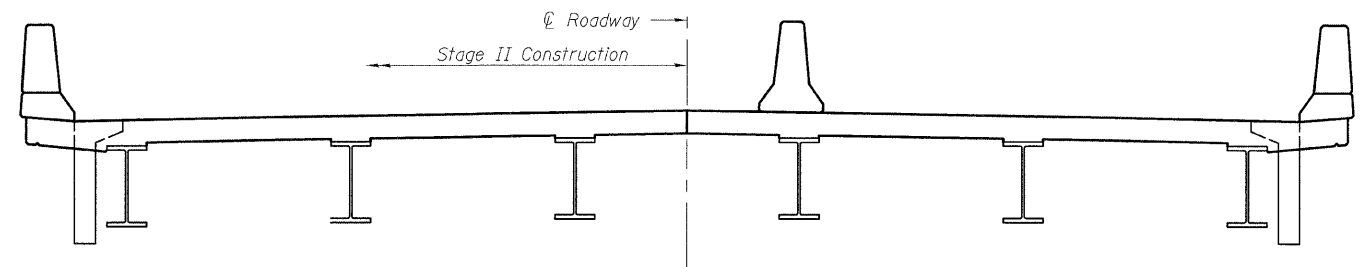
STAGE I REMOVAL



STAGE II REMOVAL



STAGE I CONSTRUCTION



STAGE II CONSTRUCTION

DESIGNED	KAK
CHECKED	EML
DRAWN	KAK
CHECKED	EML

Notes:

For Temporary Concrete Barrier Details, see sheet 6 of 25.  
For Temporary Support System Details, see sheet 3 of 25.  
All staging cross sections are looking South.  
Hatched area indicates Removal of Existing Structures.  
For quantity of Temporary Concrete Barrier, see roadway plans.

STAGE CONSTRUCTION DETAILS  
STRUCTURE NO. 014-0079

**HORNER &  
SHIFRIN, INC.**  
ENGINEERS

SHEET NO. 5 25 SHEETS	F.A.P. RTE.	SECTION	COUNTY	TOTAL SHEETS	SHEET NO.
	690	481B	CLINTON	46	22
FED. ROAD DIST. NO.			ILLINOIS FED. AID PROJECT		

CONTRACT NO. 76C21