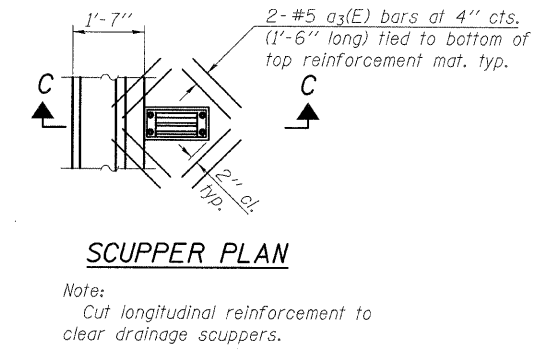
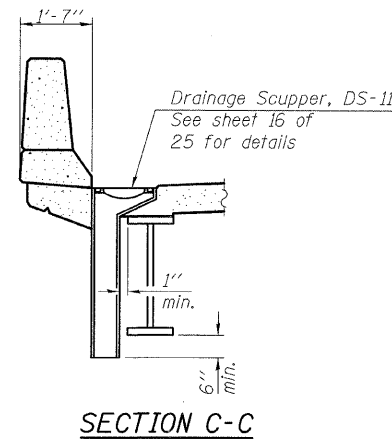
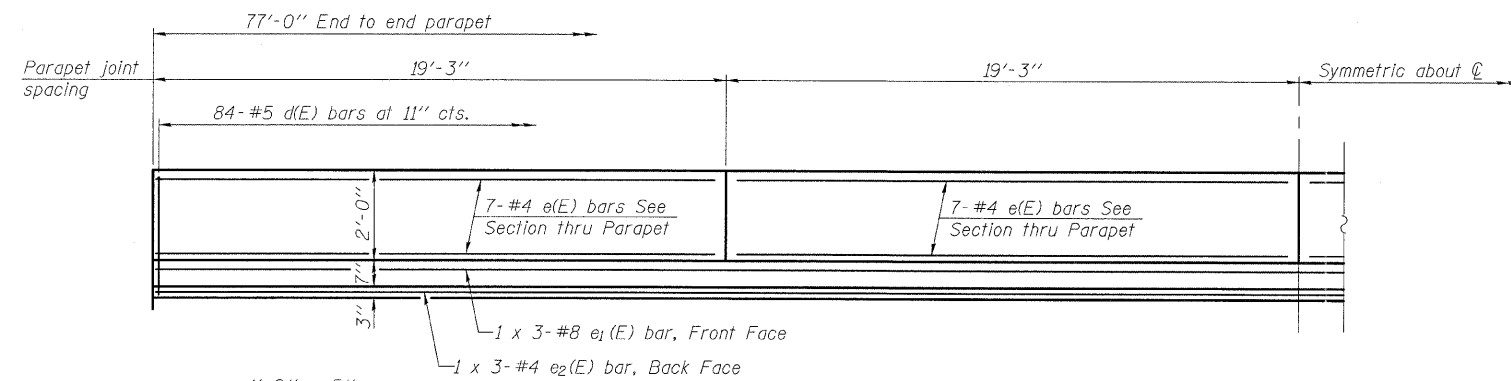
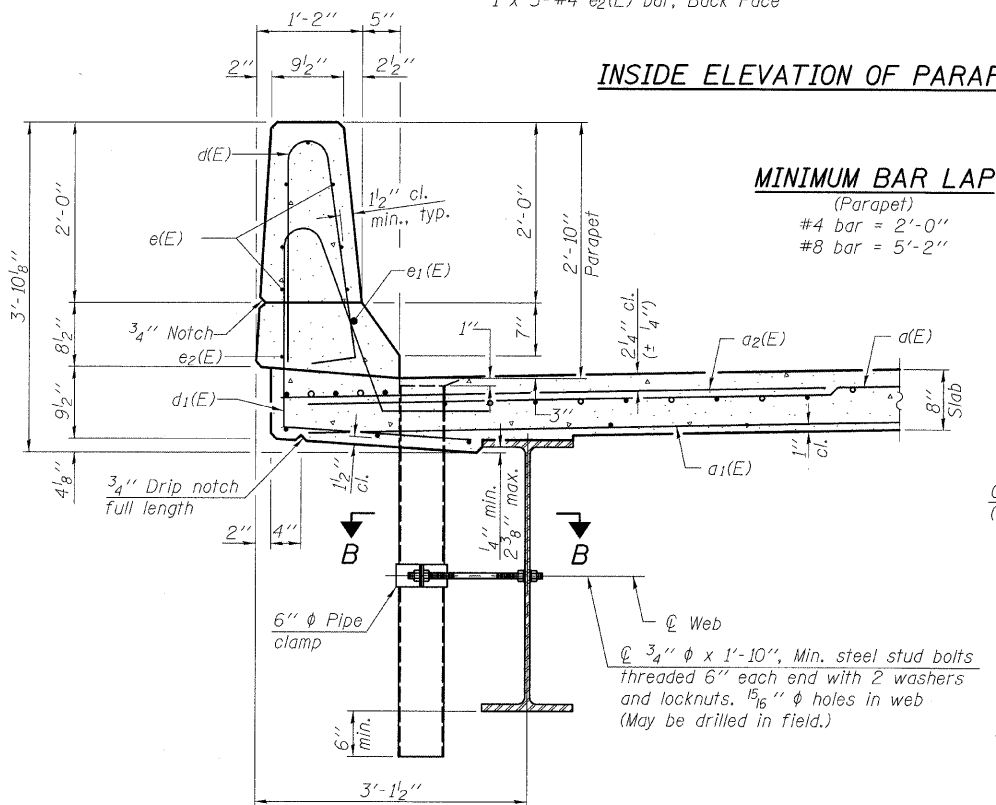


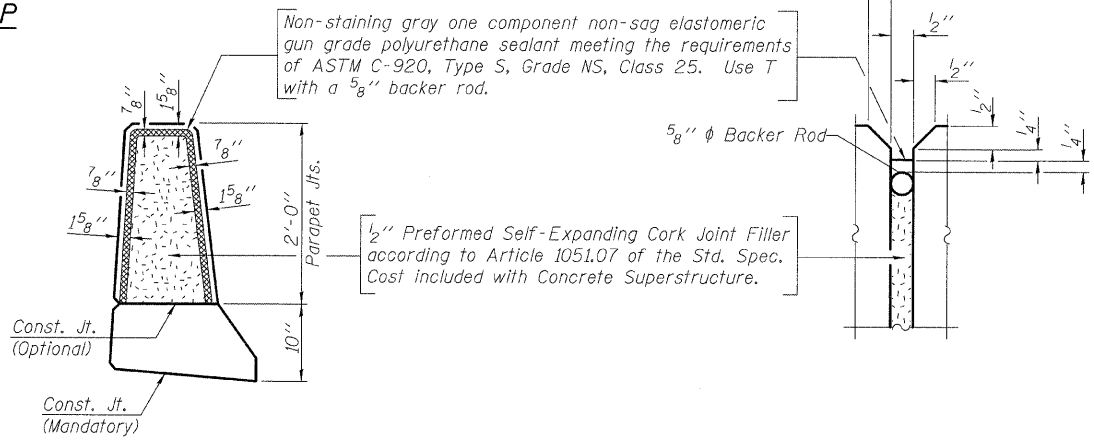
STATE OF ILLINOIS
DEPARTMENT OF TRANSPORTATION



INSIDE ELEVATION OF PARAPET



MINIMUM BAR LAP (Parapet)
#4 bar = 2'-0"
#8 bar = 5'-2"



PARAPET JOINT DETAILS

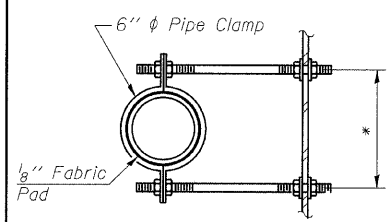
Notes:
The exterior surfaces of the floor drains shall be painted with the finish coat as specified in the special provisions for Cleaning and Painting New Metal Structures. The exterior surfaces of the drains shall be cleaned according to Society of Protective Coatings Spec. SSPC-SP1 prior to painting.
Fiberglass pipe shall conform to ASTM D 2996, with short-time rupture strength hoop tensile stress of 30,000 p.s.i. minimum.
Galvanize clamping device according to AASHTO M232. Cost of clamping device and inserts is included with Floor Drains.

SUPERSTRUCTURE
BILL OF MATERIAL

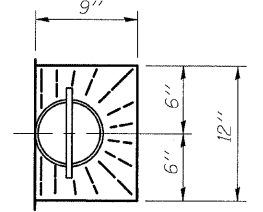
Bar	No.	Size	Length	Shape
a(E)	284	#5	19'-2"	—
a ₁ (E)	186	#5	18'-11"	—
a ₂ (E)	284	#6	6'-6"	—
a ₃ (E)	32	#5	1'-6"	—
b(E)	126	#5	27'-9"	—
b ₁ (E)	144	#5	21'-8"	—
d(E)	168	#5	5'-7"	⌋
d ₁ (E)	168	#5	7'-10"	⌋
e(E)	56	#4	18'-11"	—
e ₁ (E)	6	#8	29'-1"	—
e ₂ (E)	6	#4	27'-0"	—
m(E)	20	#6	19'-3"	—
m ₁ (E)	24	#6	8'-8"	—
m ₂ (E)	8	#6	5'-2"	—
m ₃ (E)	4	#6	2'-3"	—
m ₄ (E)	4	#6	2'-5"	—
s(E)	84	#5	5'-5"	⌋
s ₁ (E)	72	#4	8'-9"	⌋
v(E)	80	#5	3'-7"	⌋
Reinforcement Bars, Epoxy Coated		Pound		24,880
Concrete Superstructure		Cu. Yds.		118.5

Bars indicated thus 1 x 3-#8 etc. indicates 1 line of bars with 3 lengths per line.

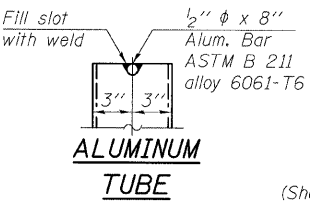
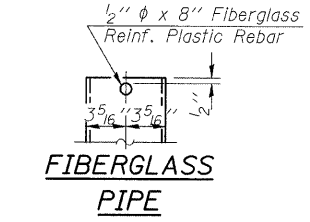
SECTION THRU PARAPET



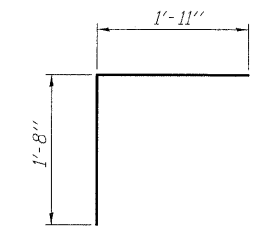
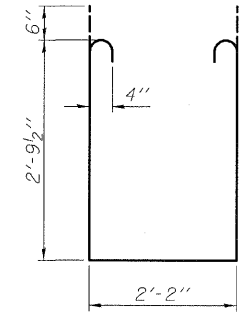
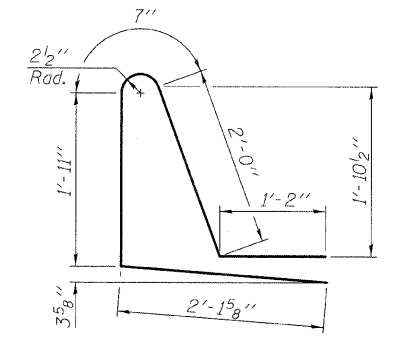
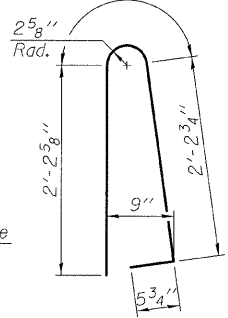
SECTION B-B
*Dimension as required by Pipe Clamp



TOP PLAN



TOP PLAN (Showing Aluminum Tube)



SUPERSTRUCTURE DETAILS
STRUCTURE NO. 014-0079

DESIGNED	KAK
CHECKED	EML
DRAWN	KAK
CHECKED	EML



SHEET NO. 12	F.A.P. RTE. 690	SECTION 481B	COUNTY CLINTON	TOTAL SHEETS 46	SHEET NO. 29
25 SHEETS	CONTRACT NO. 76C21		ILLINOIS FED. AID PROJECT		