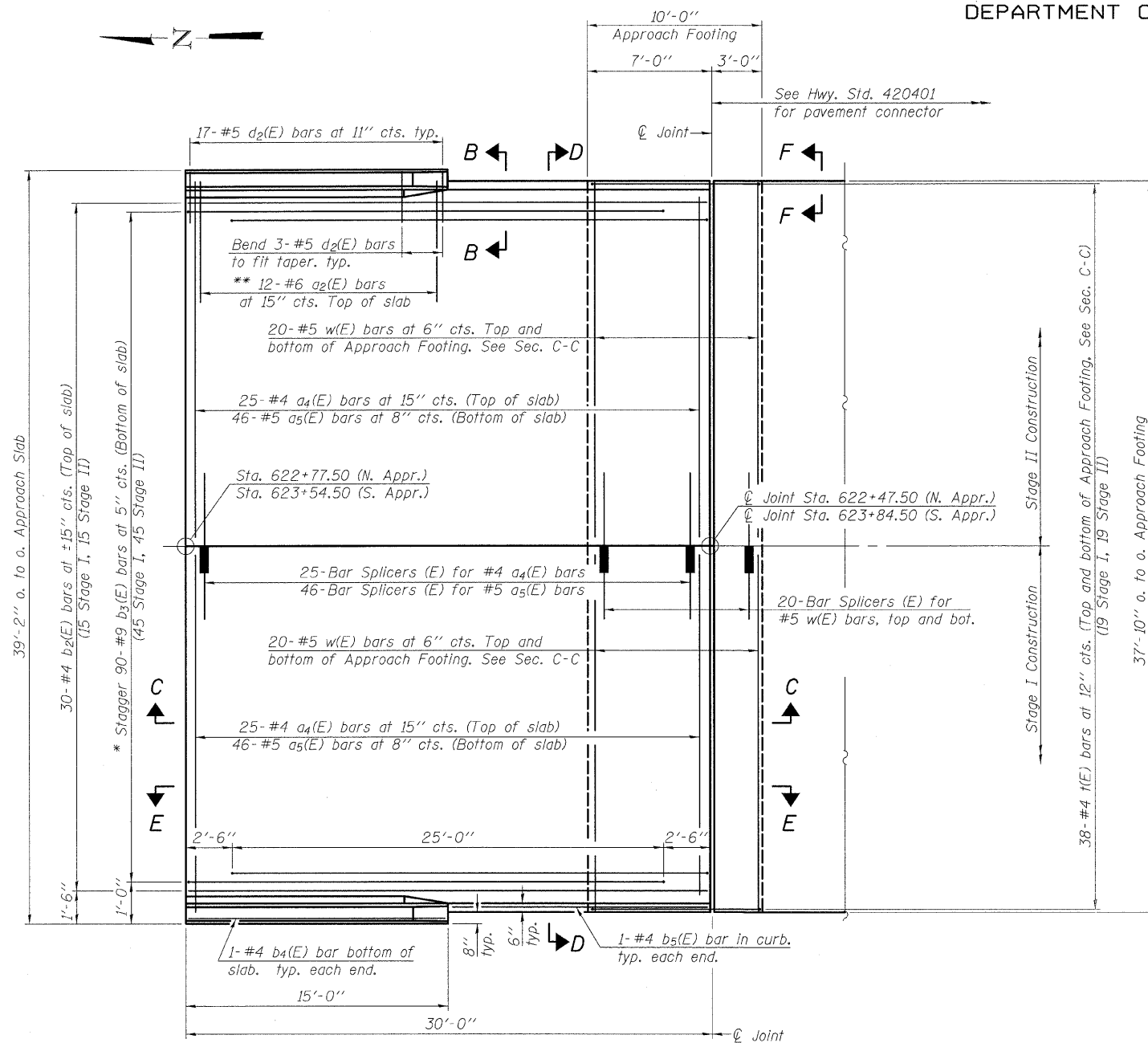


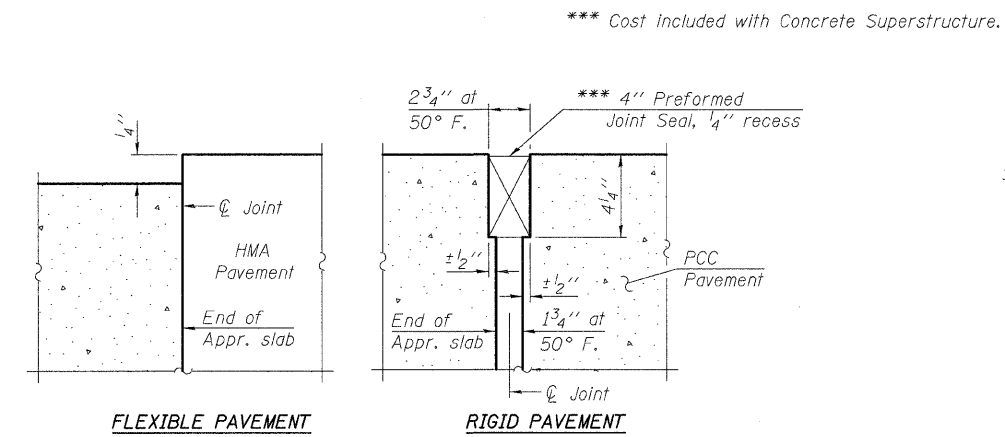
STATE OF ILLINOIS
DEPARTMENT OF TRANSPORTATION

Notes:
See sheet 14 of 25 for Sections C-C & D-D and View E-E.
a₄(E), a₅(E), and w(E) bar spacings measured parallel to ϕ Rdwy.

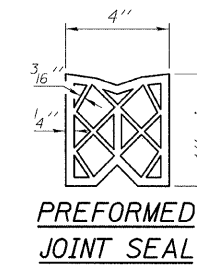


PLAN

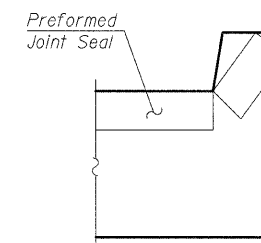
* Tilt #9 b₃(E) bars as required to maintain clearance.
** Alternate with a₄(E) bars, typ. ea. parapet.
South Approach shown, North Approach similar.



DETAIL A

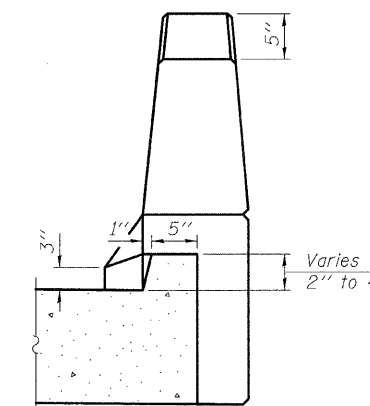


PREFORMED JOINT SEAL



VIEW F-F

Angle Preformed Joint Seal at 45° at curbs when req'd for drainage.



VIEW B-B

DESIGNED	KAK
CHECKED	EML
DRAWN	KAK
CHECKED	EML

BRIDGE APPROACH SLAB DETAILS
STRUCTURE NO. 014-0079

HORNER & SHIFRIN, INC.
ENGINEERS

SHEET NO. 13 25 SHEETS	F.A.P. RTE.	SECTION	COUNTY	TOTAL SHEETS	SHEET NO.
	690	481B	CLINTON	46	30
CONTRACT NO. 76C21					
FED. ROAD DIST. NO.		ILLINOIS FED. AID PROJECT			