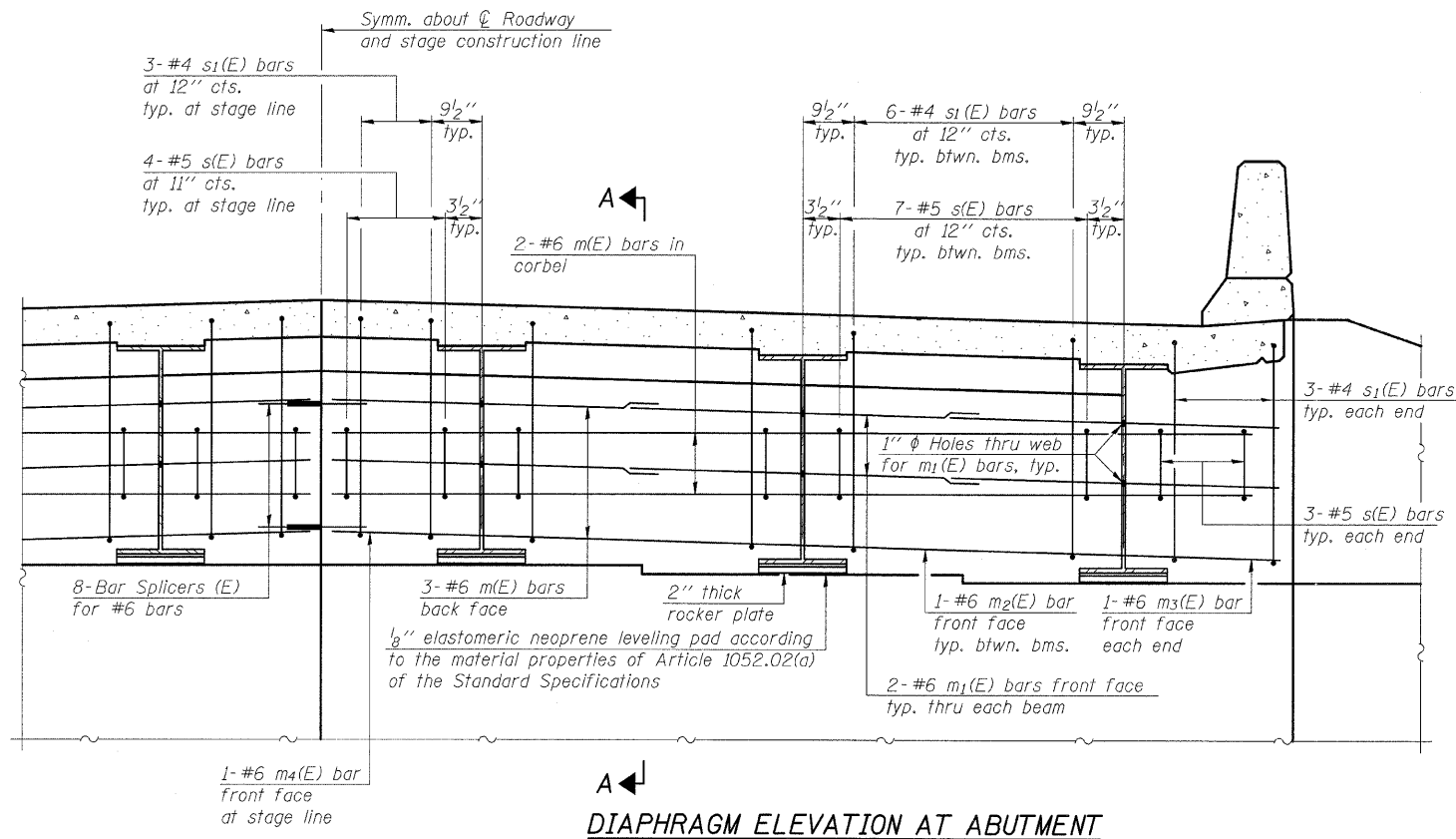
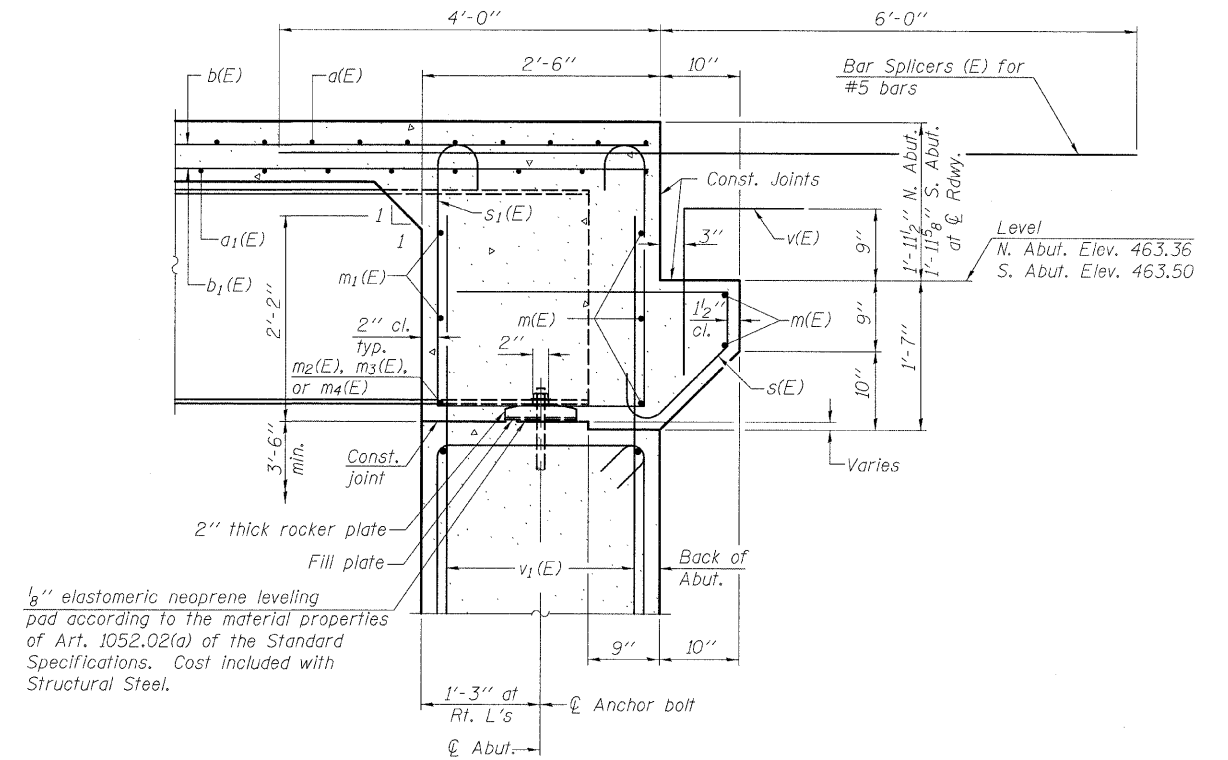


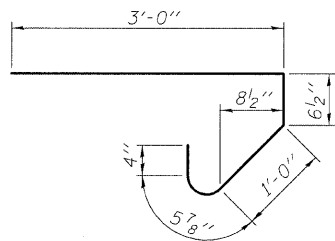
STATE OF ILLINOIS
DEPARTMENT OF TRANSPORTATION



DIAPHRAGM ELEVATION AT ABUTMENT



SECTION A-A
Dimensions at right angles to abutment.



BAR s(E)

Notes:
Reinforcement bars in diaphragm are billed with superstructure on sheet 12 of 25.
Concrete in diaphragm is included with Concrete Superstructure on sheet 12 of 25.
For detail of bar s₁(E) see sheet 12 of 25.
The s(E) and s₁(E) bars shall be placed parallel to the beams. Spacing for these bars shall be at right angles to the beams.

MIN. BAR LAP
#6 bar = 3'-4"

DESIGNED	KAK
CHECKED	EML
DRAWN	KAK
CHECKED	EML

DIAPHRAGM DETAILS
STRUCTURE NO. 014-0079

HORNER & SHIFRIN, INC.
ENGINEERS

SHEET NO. 15 25 SHEETS	F.A.P. RTE.	SECTION	COUNTY	TOTAL SHEETS	SHEET NO.
	690	481B	CLINTON	46	32
CONTRACT NO. 76C21					
FED. ROAD DIST. NO.		ILLINOIS FED. AID PROJECT			