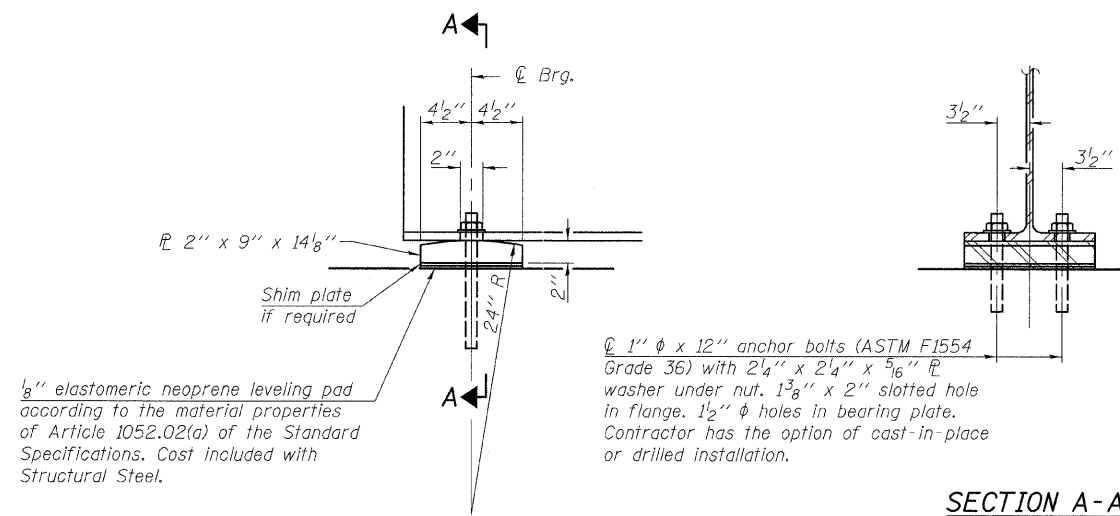


STATE OF ILLINOIS
DEPARTMENT OF TRANSPORTATION



ELEVATION AT ABUTMENT

FIXED BEARING

12 Required

Notes:

Anchor bolts shall be ASTM F1554 all-thread (or an Engineer-approved alternate material) of the grade(s) and diameter(s) specified. ASTM A307 Grade C anchor bolts may be used in lieu of ASTM F1554 Grade 36 (Fy=36ksi). The corresponding specified grade of AASHTO M314 anchor bolts may be used in lieu of ASTM F1554.

Anchor bolts at fixed bearings may be either cast in place or installed in holes drilled after the supported member is in place.

Drilled and set anchor bolts shall be installed according to Article 521.06 of the Standard Specifications.

DESIGNED	KAK
CHECKED	EML
DRAWN	KAK
CHECKED	EML

BEARING DETAILS
STRUCTURE NO. 014-0079

**HORNER &
SHIFRIN, INC.**
ENGINEERS

SHEET NO. 18 25 SHEETS	F.A.P. RTE.	SECTION	COUNTY	TOTAL SHEETS	SHEET NO.
	690	481B	CLINTON	46	35
			CONTRACT NO. 76C21		
FED. ROAD DIST. NO.		ILLINOIS FED. AID PROJECT			