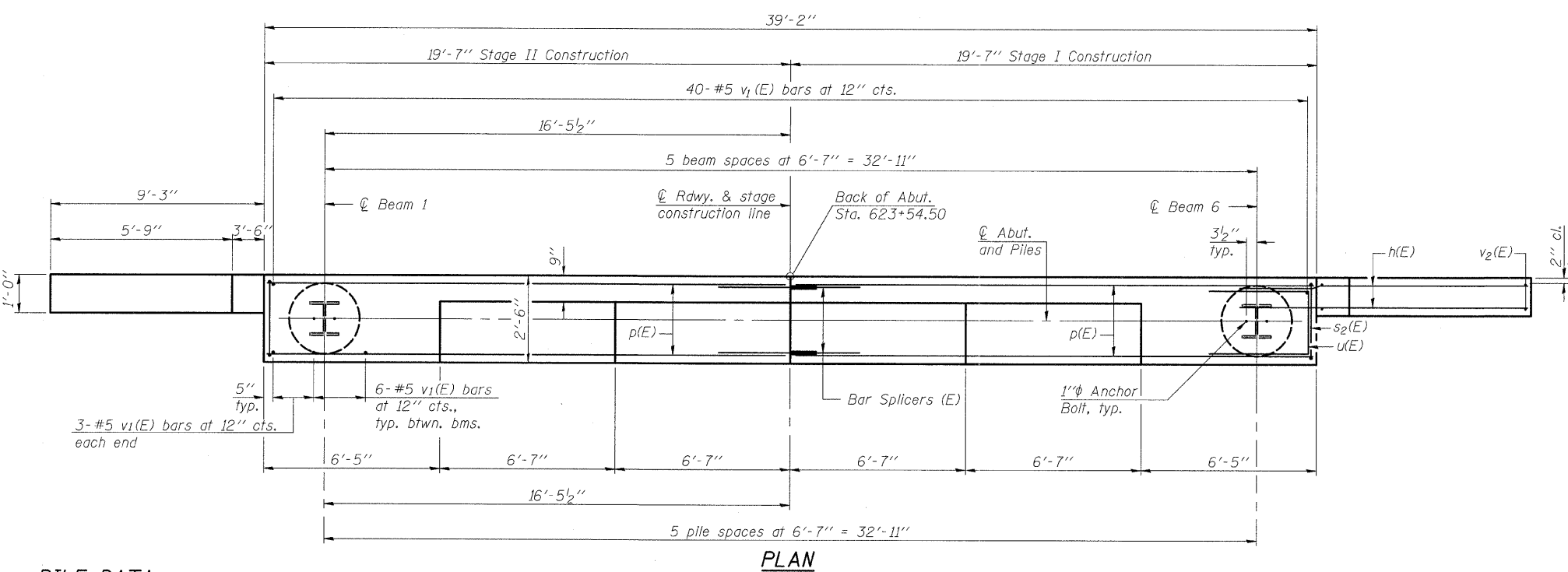
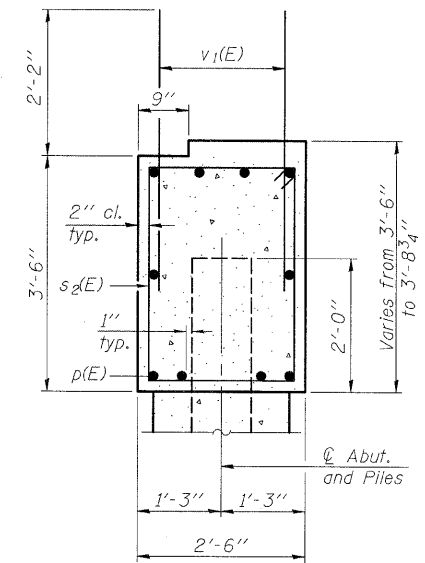
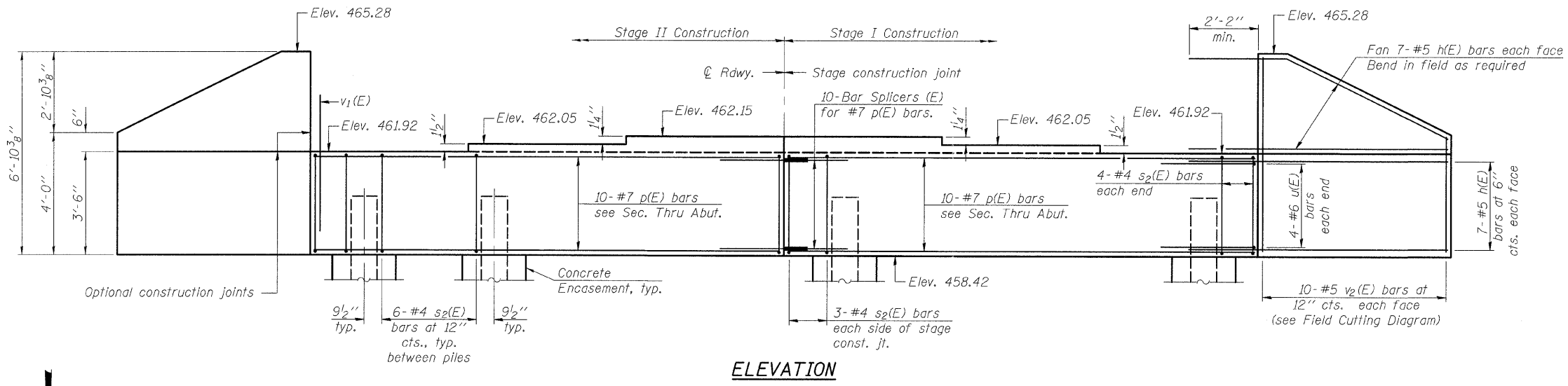


STATE OF ILLINOIS
DEPARTMENT OF TRANSPORTATION

Note:
Pour steps monolithically with cap.



BILL OF MATERIAL

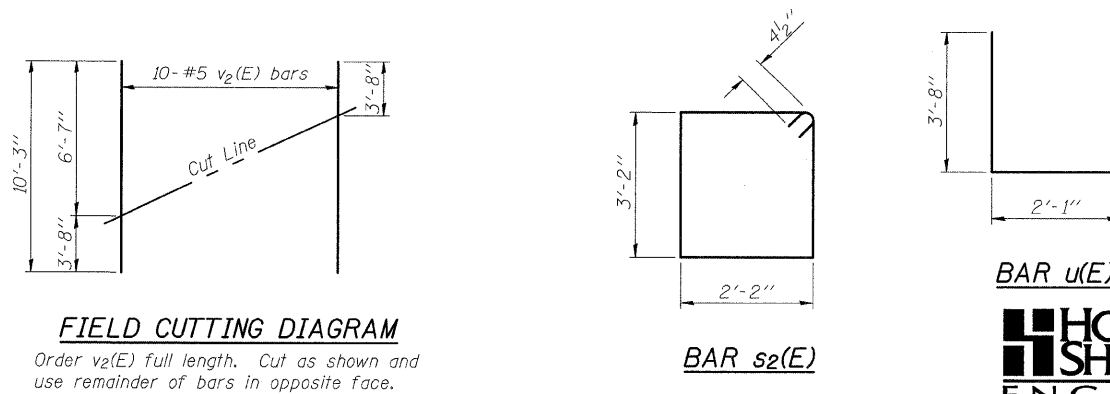
Bar	No.	Size	Length	Shape
h(E)	56	#5	11'-3"	—
p(E)	20	#7	19'-3"	—
s ₂ (E)	38	#4	11'-5"	□
u(E)	8	#6	9'-5"	—
v ₁ (E)	76	#5	4'-4"	—
v ₂ (E)	20	#5	10'-3"	—
Structure Excavation		Cu. Yd.	146	
Concrete Structures		Cu. Yd.	17.1	
Concrete Encasement		Cu. Yd.	2.1	
Reinforcement Bars, Epoxy Coated		Pound	2,410	
Furnishing Steel Piles, HP12x53		Foot	138	
Driving Piles		Foot	138	
Pile Shoes		Each	6	
Anchor Bolts, 1"		Each	12	

For details of Bar Splicers, see sheet 22 of 25.
For details of piles and Concrete Encasement, see sheet 21 of 25.
Space reinforcement in cap to miss anchor bolts.

PILE DATA

Type: HP12x53 w/ pile shoes
Nominal Required Bearing: 419 kips
Factored Resistance Available: 210 kips
Est. Length: 23'
No. Production Piles: 6
No. Test Piles: 0

DESIGNED	KAK
CHECKED	EML
DRAWN	KAK
CHECKED	EML



HORNER & SHIFRIN, INC. ENGINEERS

**SOUTH ABUTMENT
STRUCTURE NO. 014-0079**

SHEET NO. 20 25 SHEETS	F.A.P. RTE.	SECTION	COUNTY	TOTAL SHEETS	SHEET NO.
	690	481B	CLINTON	46	37
FED. ROAD DIST. NO.			ILLINOIS FED. AID PROJECT		
			CONTRACT NO. 76C21		