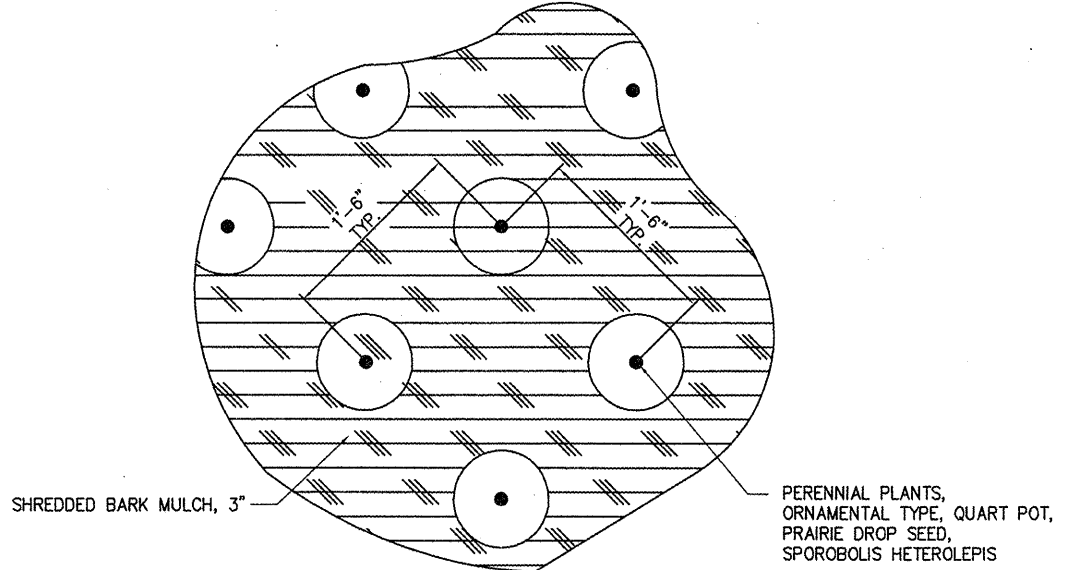
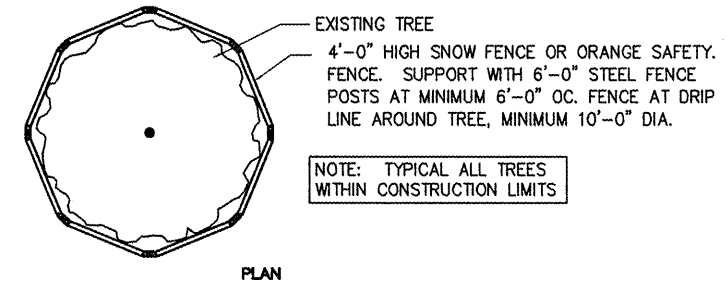
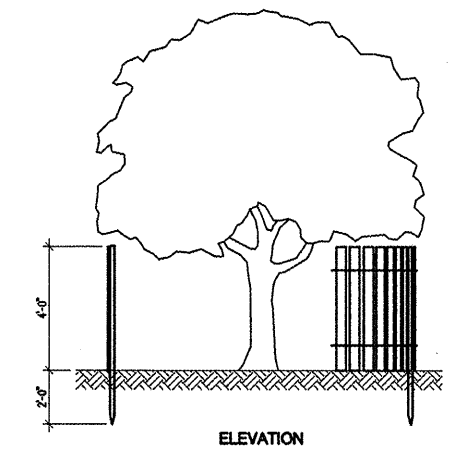


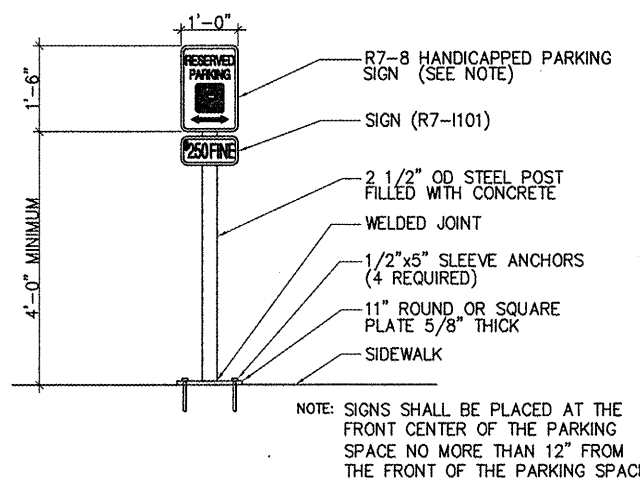
1 HANDICAP PARKING SPACE STRIPING
NOT TO SCALE 02760-B-02



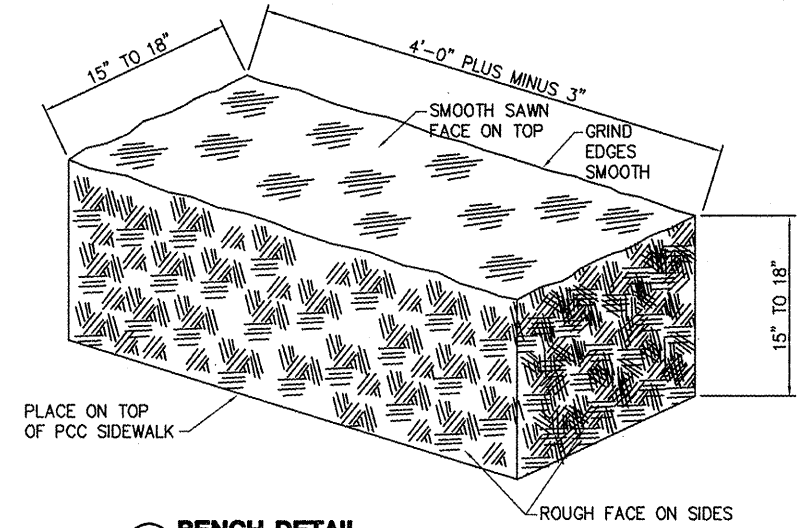
4 PERENNIAL PLANTING DETAIL
NOT TO SCALE



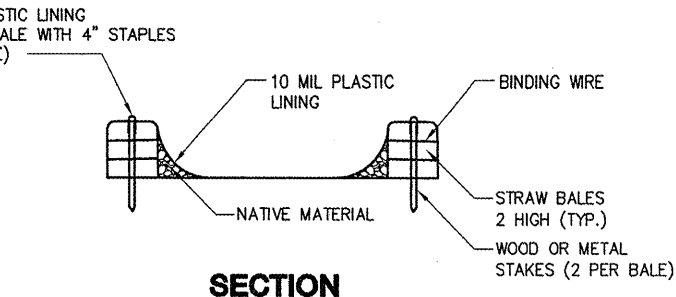
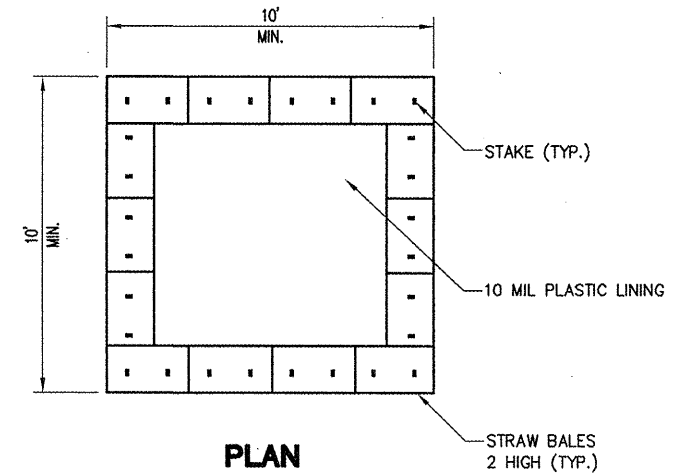
7 TEMPORARY FENCE DETAIL
NOT TO SCALE



2 HANDICAPPED PARKING SIGN
NOT TO SCALE 02890-B-01

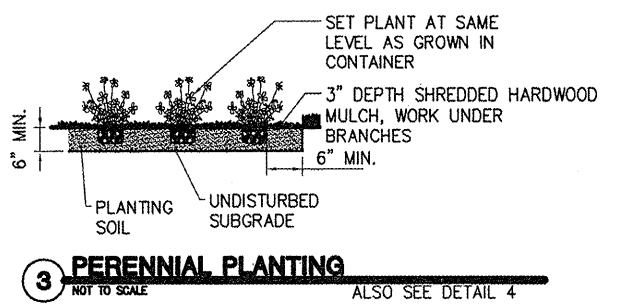


6 BENCH DETAIL
NOT TO SCALE

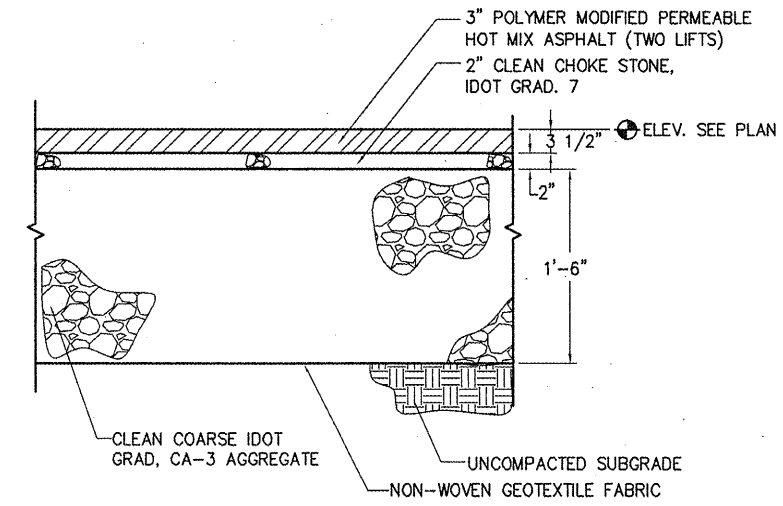


NOTES:
1. ACTUAL LAYOUT DETERMINED IN FIELD.
2. A CONCRETE WASHOUT SIGN SHALL BE INSTALLED WITHIN 30 FT OF THE TEMPORARY CONCRETE WASHOUT FACILITY.

8 CONCRETE WASHOUT DETAIL
NOT TO SCALE



3 PERENNIAL PLANTING
NOT TO SCALE ALSO SEE DETAIL 4



6 PERMEABLE PAVEMENT FOR PARKING LOT
NOT TO SCALE

SHIVEHATTERY
ARCHITECTURE+ENGINEERING
1701 River Drive Suite 200 | Moline, Illinois 61265
309.764.7650 | fax: 309.764.9616 | shive-hattery.com
Iowa | Illinois | Missouri | Illinois Firm Number: 184-000214

STATE OF ILLINOIS
DEPARTMENT OF TRANSPORTATION

DETAIL SHEET

FILE NAME =	USER NAME = \$USER\$	DESIGNED - PHM	REVISED -
\$FILEL\$		DRAWN - MAC	REVISED -
	PLOT SCALE = \$SCALE\$	CHECKED - 07-08-11	REVISED -
	PLOT DATE = \$DATE\$	DATE - 07-08-11	REVISED -

SCALE:	SHEET NO. 13 OF 17 SHEETS	STA.	TO STA.
--------	---------------------------	------	---------

F.A.U. RTE.	SECTION	COUNTY	TOTAL SHEETS	SHEET NO.
xxxx	06-00236-00-LS	ROCK ISLAND	17	13
CONTRACT NO. 85542				
FED. ROAD DIST. NO. 2 ILLINOIS FED. AID PROJECT				