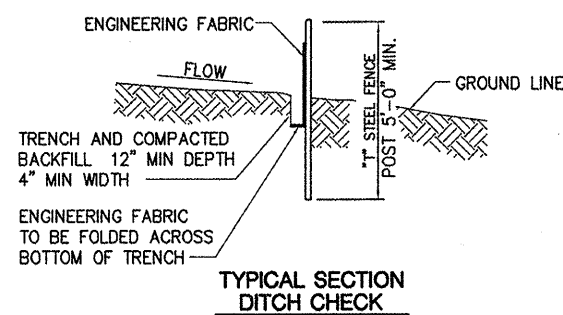
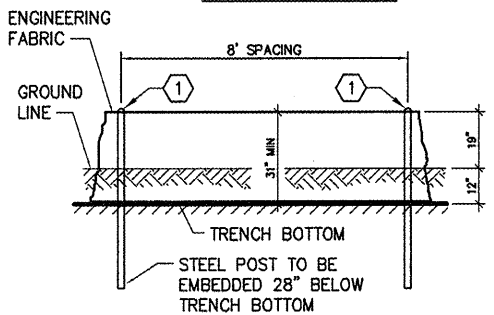


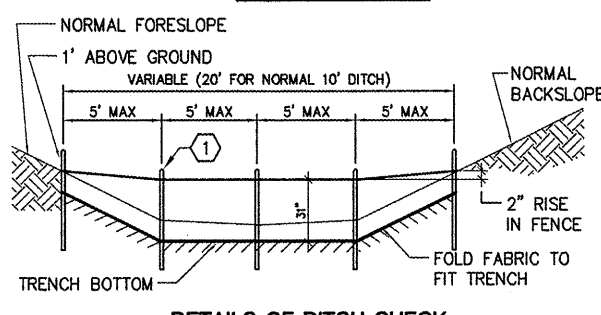
TYPICAL SECTION SILT FENCE



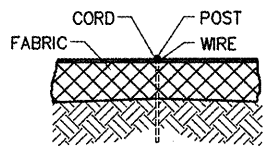
TYPICAL SECTION DITCH CHECK



DETAILS OF SILT FENCE

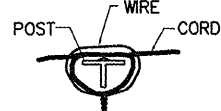


DETAILS OF DITCH CHECK



FRONT VIEW

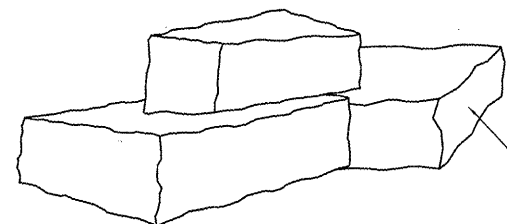
- NOTES:
- 1 SECURE TOP OF ENGINEERING FABRIC TO STEEL POST.
 - 2 ENGINEERING FABRIC TO BE PLACED TO BOTTOM OF TRENCH.
 - 3 ENGINEERING FABRIC SHALL HAVE A MINIMUM 36" WIDTH.



NOTE: TWIST CORD AND PLACE AROUND POST, SECURE WITH WIRE.

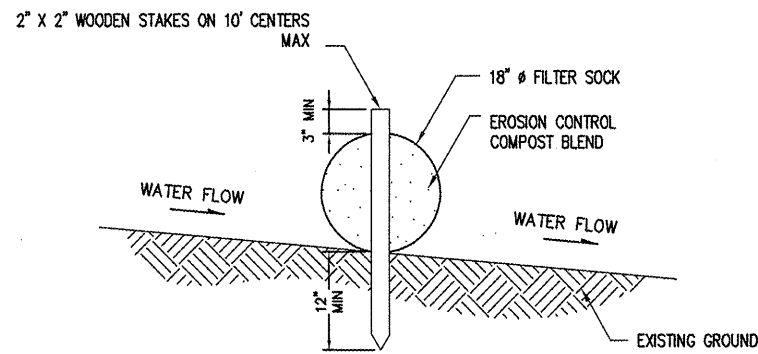
POST TOP VIEW

9 SILT FENCE DETAIL
NOT TO SCALE

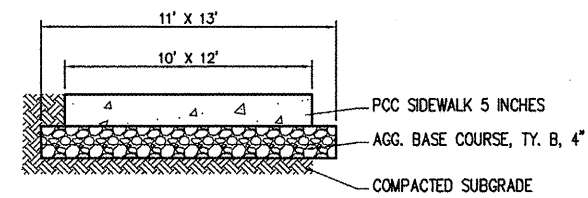


BLOCKS SHALL BE ROUGHLY 1.5' TO 2' WIDE BY 1.5' TO 2' LONG BY 8" HIGH. ARRANGE IN GROUPS OF TWO TO THREE BLOCKS WHERE INDICATED ON THE LANDSCAPE PLAN SHEET.

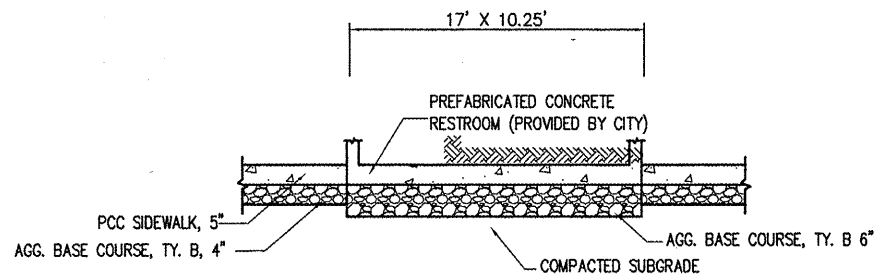
10 STONE OUTCROPPING DETAIL
NOT TO SCALE



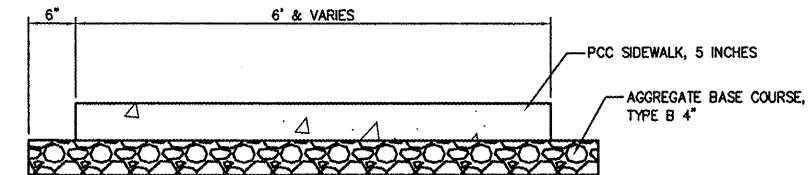
11 STRAW WATTLE DETAIL
NOT TO SCALE



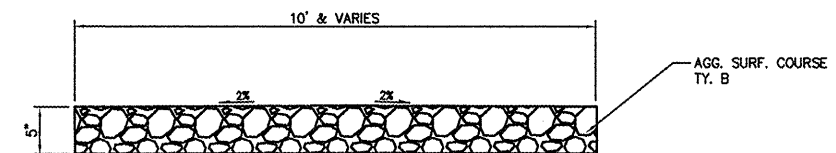
12 PCC PAD FOR PICNIC TABLE
NOT TO SCALE



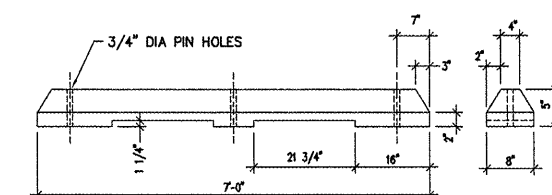
13 AGG BASE FOR PREFABRICATED CONCRETE RESTROOM
NOT TO SCALE



14 TYPICAL SECTION - SIDEWALK
NOT TO SCALE



15 TYPICAL SECTION - CRUSHED STONE PATH
NOT TO SCALE



GENERAL NOTES - PRECAST CURB

1. DETAILS INDICATED HEREON ARE TYPICAL ONLY. ALTERNATE DESIGNS MAY BE SUBMITTED TO THE ENGINEER FOR APPROVAL. ANY ALTERNATE DESIGN APPROVED FOR USE ON CONSTRUCTION SHALL CONFORM TO THE MINIMUM REQUIREMENTS AS SHOWN. REFER TO ADDITIONAL PORTIONS OF THE PROJECT PLANS FOR COMPLETE DATA AS TO INSTALLATION, LOCATION, ETC.
2. ANY PRECAST CONCRETE CURB UNIT MEASURING LONGER THAN 6'-0" WILL REQUIRE 3 ANCHOR PINS TO HOLD CURB IN POSITION.
3. ANCHOR PINS SHALL BE 5/8" DIAMETER, 1'-6" LONG. ANCHOR PINS THAT ARE NOT BEDDED IN CONCRETE SHALL BE GALVANIZED. GROUT ANCHOR PINS MINIMUM OF 2" DEEP.
4. REINFORCING STEEL USED IN PRECAST CONCRETE CURB UNITS SHALL HAVE A MINIMUM OF 2" CLEARANCE TO THE CONCRETE SURFACES.
5. MINIMUM CONCRETE STRENGTH IS 4,000 PSL. LOCATE 3'-0" FROM EDGE OF PAVEMENT TO CENTER OF CURB. CENTER CURB IN EACH STALL.

16 PARKING BLOCK
NOT TO SCALE

02840-B-01

SHIVEHATTERY
ARCHITECTURE+ENGINEERING

1701 River Drive Suite 200 | Moline, Illinois 61265
309.764.7850 | fax: 309.764.8616 | shive-hattery.com
Iowa | Illinois | Missouri | Illinois Firm Number: 184-000214

FILE NAME =	USER NAME = \$USER\$	DESIGNED - PHM	REVISED -
\$FILEL\$		DRAWN - MAC	REVISED -
	PLOT SCALE = \$SCALE\$	CHECKED - 07-08-11	REVISED -
	PLOT DATE = \$DATE\$	DATE - 07-08-11	REVISED -

STATE OF ILLINOIS
DEPARTMENT OF TRANSPORTATION

DETAILS

SCALE: SHEET NO. 14 OF 17 SHEETS STA. TO STA.

F.A.U. RTE.	SECTION	COUNTY	TOTAL SHEETS	SHEET NO.
XXXX	06-00236-00-LS	ROCK ISLAND	17	14
CONTRACT NO. 85542				
FED. ROAD DIST. NO. 2 ILLINOIS FED. AID PROJECT				