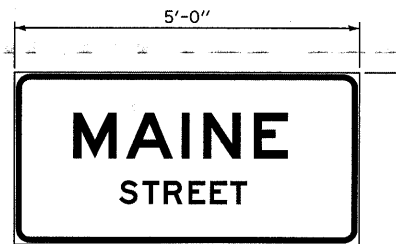


SIGN 1
MAST ARMS E AND K

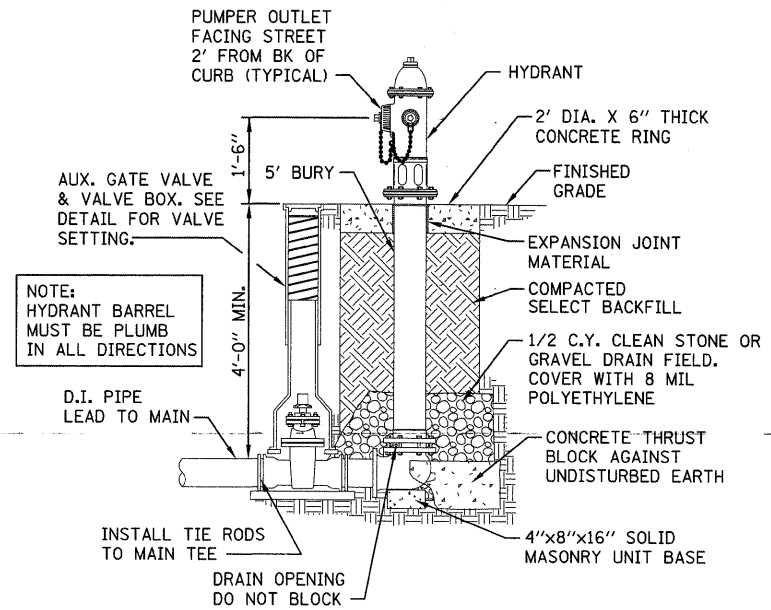


SIGN 2
MAST ARMS A AND H

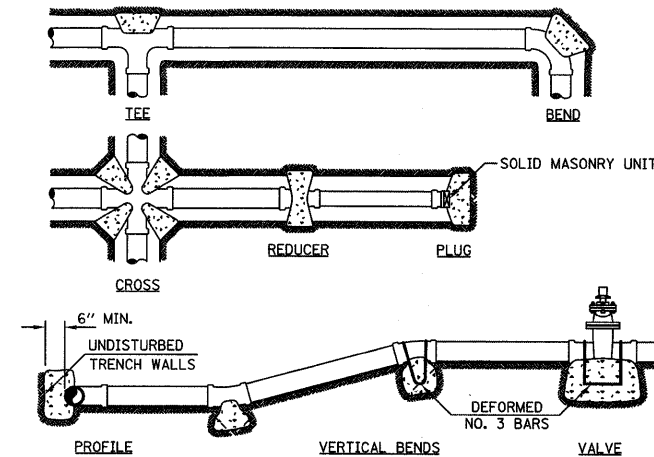
BORDER WIDTH	0.8'
CORNER RADIUS	2.4'
MOUNTING	OVERHEAD
BACKGROUND	TYPE: REFLECTIVE COLOR: GREEN
LEGEND/BORDER	TYPE: REFLECTIVE COLOR: WHITE

SIGN STYLE (e) PER STANDARD 720016

SIGN DETAILS



CITY OF QUINCY
FIRE HYDRANT INSTALLATION
NOT TO SCALE



PIPE DIA.	BENDS				REDUCER	CROSS, TEE, PLUG AND VALVE
	11 1/4" & 22 1/2"	45°	90°			
2"	0.25	0.5	1	-	0.25	
4"	0.5	1	2	0.75	1	
6"	1	2	4	1.75	2.25	
8"	2	4	7	2.75	4	
10"	3	6	11.5	3.75	6.25	
12"	4.5	9	16	4.75	9	

1. MINIMUM COMPRESSIVE STRENGTH OF CONCRETE = 3000 PSI.
2. DESIGN TEST PRESSURE = 100 PSI + 50% FOR IMPACT.
3. DESIGN SOIL BEARING CAPACITY = 2000 PSF.
4. CONCRETE FOR THRUST BLOCKS BASED ON SOIL HAVING A SAFE LOAD BEARING OF 2000 PSF. FOR SOFT SOIL, INCREASE BEARING AREA AND VOLUME OF THRUST BLOCK.

THRUST BLOCKS
NOT TO SCALE

FILE NAME =	USER NAME = seb	DESIGNED -	REVISED -
P:\08files\080297\05 Plans\Construction Plans\MD01_080297.dgn		DRAWN -	REVISED -
PLOT SCALE = 5.0000' / IN.		CHECKED -	REVISED -
PLOT DATE = 6/28/2011		DATE -	REVISED -

CITY OF QUINCY
730 MAINE STREET
QUINCY, IL 62301

MISCELLANEOUS DETAILS
HYDRANTS & SIGNS

SCALE: None SHEET NO. 2 OF 2 SHEETS STA. TO STA.

F.A.U. RTE.	SECTION	COUNTY	TOTAL SHEETS	SHEET NO.
7807	08-00307-00-TL	ADAMS	50	34
CONTRACT NO. 9354				
FED. ROAD DIST. NO. ILLINOIS FED. AID PROJECT				