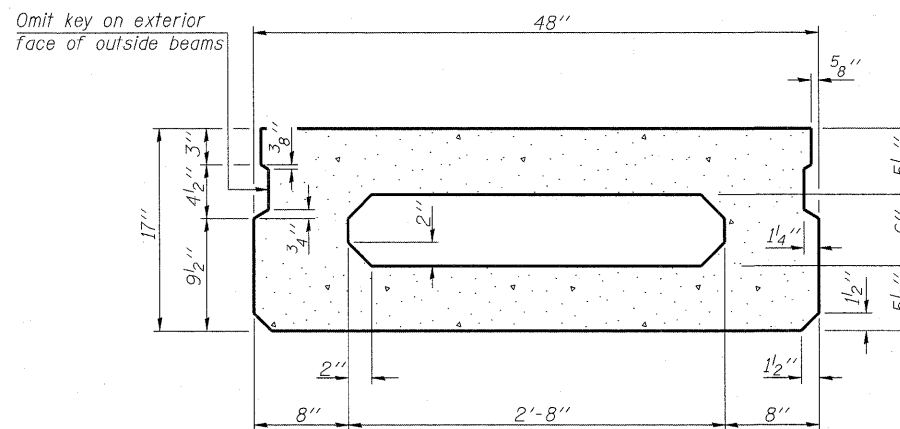
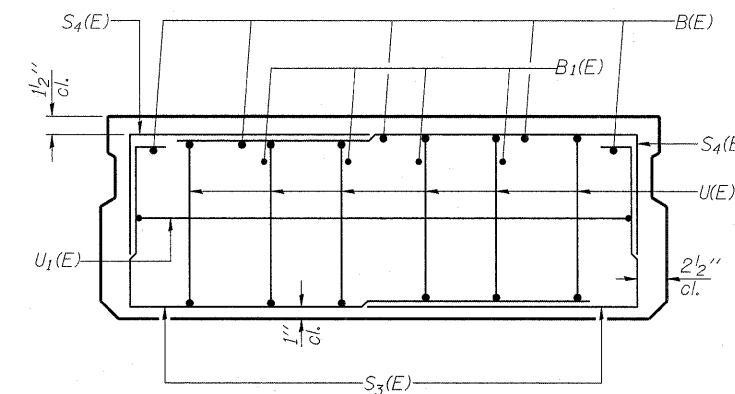


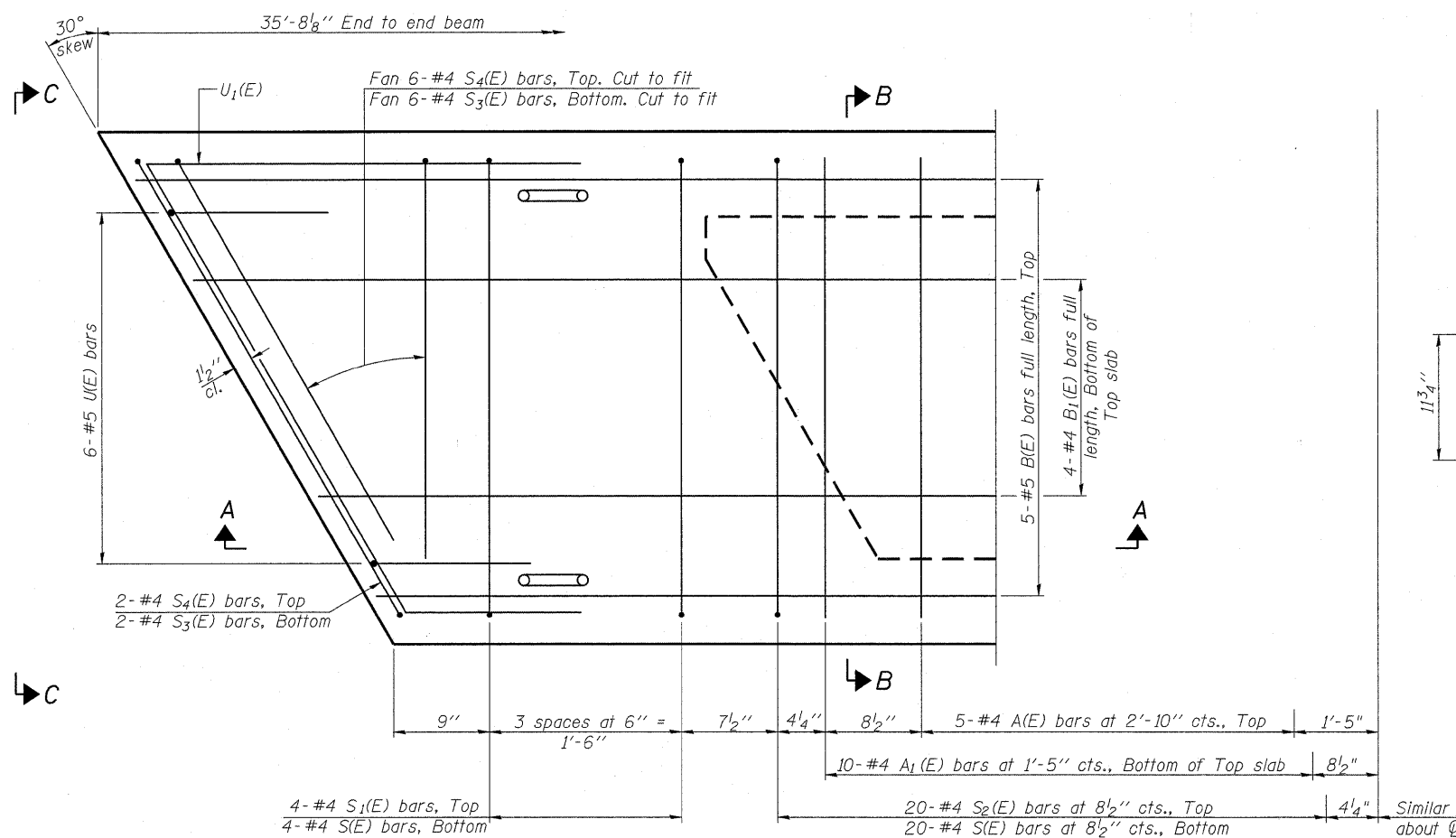
**SECTION A-A**



**SECTION B-B**  
(Showing dimensions)

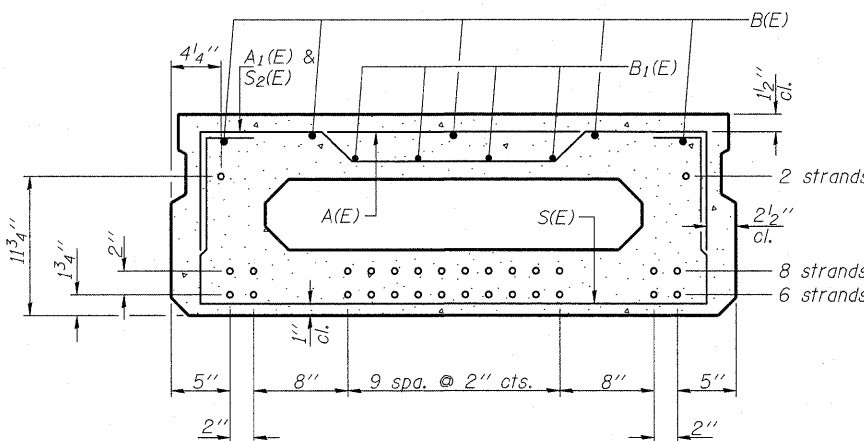


**VIEW C-C**



**PLAN VIEW**

Note: Spacing of S(E) and S2(E) bars may be adjusted up to 4" in the immediate area of the transverse tie diaphragms to miss the block outs for the transverse ties.



**SECTION B-B**

(Showing reinforcement and permissible strand locations)

Note: Place the number of strands specified in each row symmetrically about the centerline of beam in the permissible strand locations shown.

**BAR LIST**  
**ONE BEAM ONLY**  
(For information only)

Bar	No.	Size	Length	Shape
A(E)	10	#4	3'-7"	—
A1(E)	20	#4	3'-10"	—
B(E)	5	#5	35'-5"	—
B1(E)	4	#4	35'-5"	—
S(E)	48	#4	6'-9"	U
S1(E)	8	#4	5'-3"	U
S2(E)	40	#4	5'-6"	U
S3(E)	16	#4	4'-8"	U
S4(E)	16	#4	3'-11"	U
U(E)	12	#5	3'-8"	U
U1(E)	2	#4	8'-7"	U

Note: See sheet 8 of 16 for additional details and Bill of Material.

**MINIMUM BAR LAP**  
#4 bar = 2'-0"  
#5 bar = 2'-6"

FILE NAME =  
E3173-bridge sheets.dgn

DESIGNED - K. HEFFERN  
DRAWN - C. BECKER  
CHECKED - C. EPPERLY  
DATE - NOVEMBER 2010

REVISED -  
REVISED -  
REVISED -  
REVISED -

**STATE OF ILLINOIS**  
**DEPARTMENT OF TRANSPORTATION**

**17"x48" PPC DECK BEAM (END SPANS)**  
**STRUCTURE NO. 082-4158**

SCALE: N/A SHEET NO. 7 OF 16 SHEETS STA. 34+16.75 TO STA. 35+27.25

F.A. RTE.	SECTION	COUNTY	TOTAL SHEETS	SHEET NO.
	08-18101-04-BR	ST. CLAIR	16	7
PROJECT BROS-163(32)			CONTRACT NO. 97466	
ILLINOIS FED. AID PROJECT				