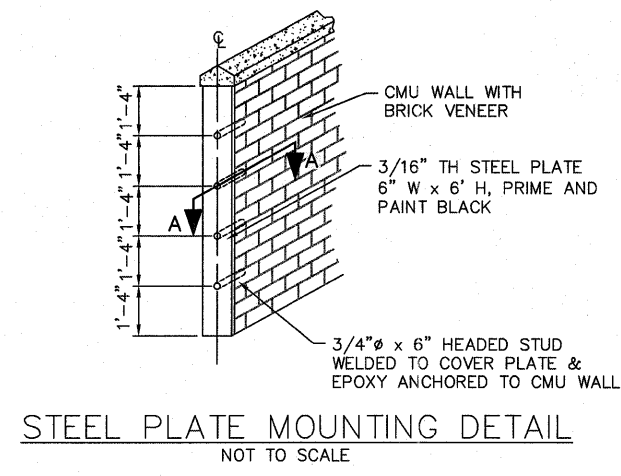
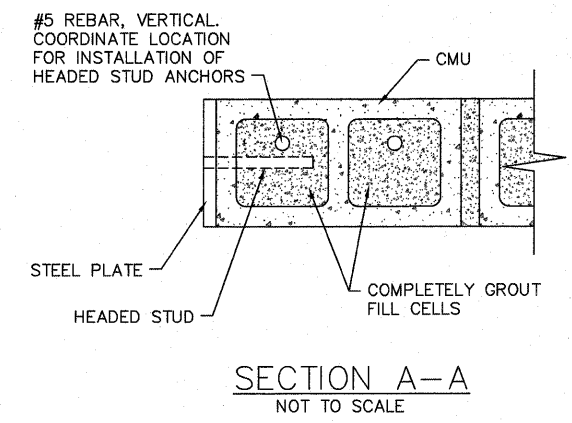


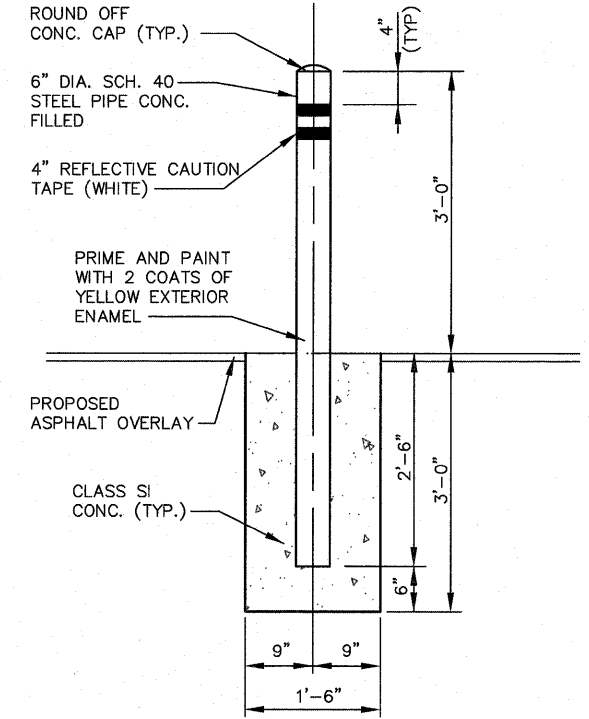
MAINTENANCE ENCLOSURE DOOR DETAIL
NOT TO SCALE



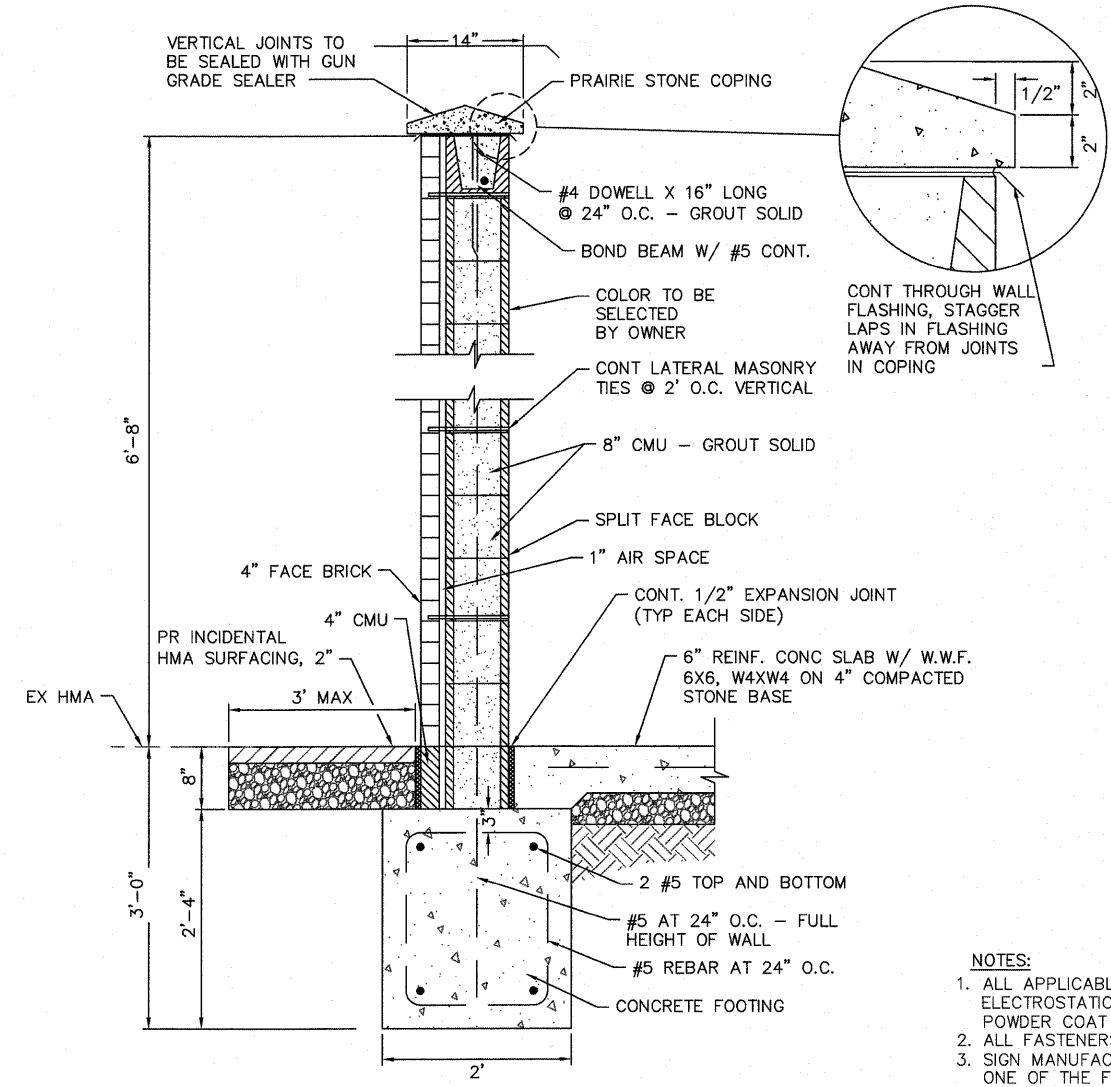
STEEL PLATE MOUNTING DETAIL
NOT TO SCALE



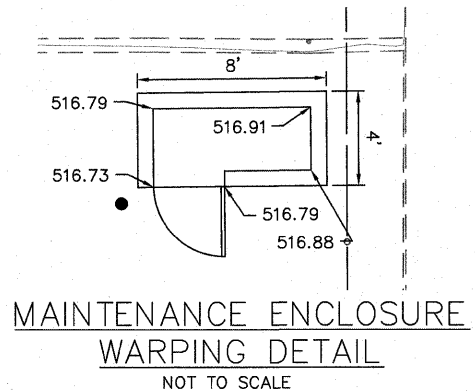
SECTION A-A
NOT TO SCALE



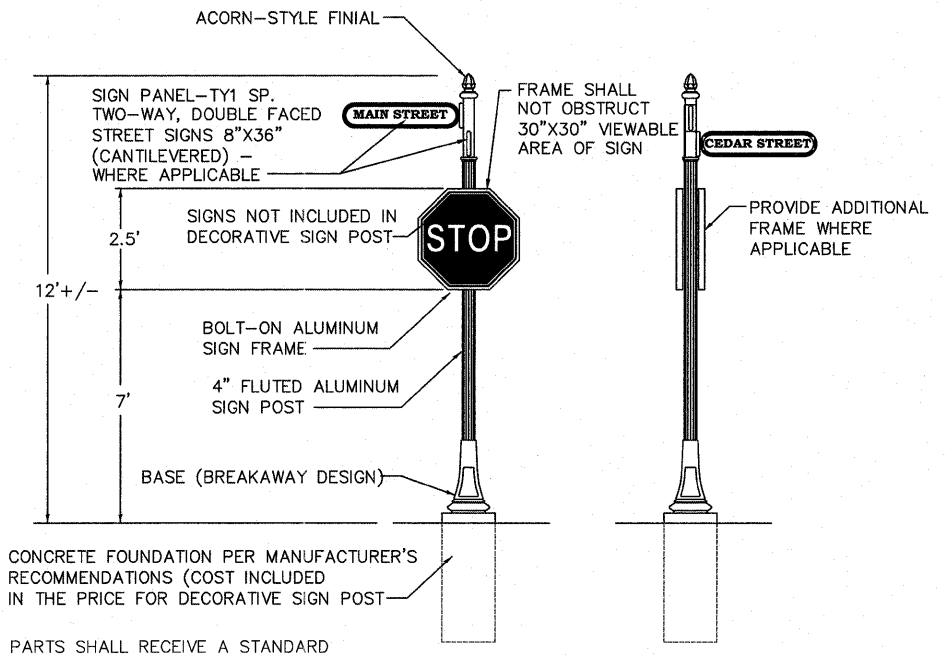
PIPE BOLLARD DETAIL
NOT TO SCALE



MAINTENANCE ENCLOSURE WALL DETAIL
NOT TO SCALE

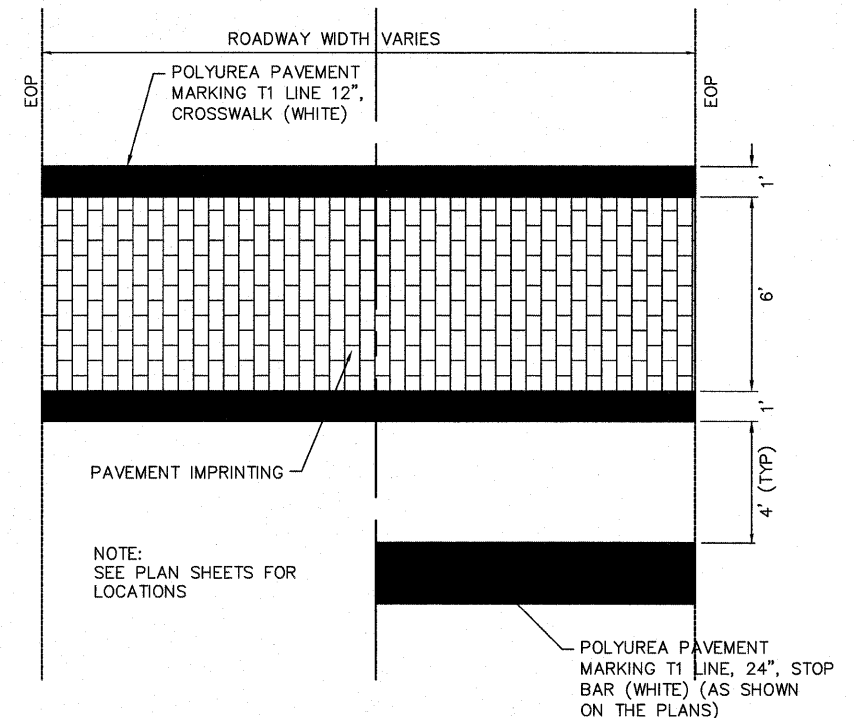


MAINTENANCE ENCLOSURE WARPING DETAIL
NOT TO SCALE



FRONT VIEW SIDE VIEW
NOT TO SCALE
DECORATIVE SIGN POST
NOT TO SCALE

- NOTES:**
1. ALL APPLICABLE PARTS SHALL RECEIVE A STANDARD ELECTROSTATICALLY APPLIED THERMOSET POLYESTER POWDER COAT SMOOTH SEMI-GLOSS BLACK FINISH.
 2. ALL FASTENERS SHALL BE STAINLESS STEEL.
 3. SIGN MANUFACTURER AND TYPE SHALL BE ONE OF THE FOLLOWING:
HOLOPHANE INDUSTRIES,
THE STREETSCAPE COMPANY, LLC,
BRANDON INDUSTRIES,
STERNBERG LIGHTING
 4. BASE AND POST SHOULD MATCH LIGHT FIXTURE STYLE TO THE SATISFACTION OF THE ENGINEER.



PAVEMENT IMPRINTING/CROSSWALK DETAIL
NOT TO SCALE

FILE NAME = H:\P\25040\DWG\PHASE 1\25040- DESIGN.DWG	USER NAME = ASHLEIGH ENGELMANN	DESIGNED - SLW	REVISED -	STATE OF ILLINOIS DEPARTMENT OF TRANSPORTATION	DETAILS	F.A.U. RTE. 9302	SECTION 06-00045-00-SW	COUNTY MONROE	TOTAL SHEETS 24	SHEET NO. 12
	PLOT SCALE = 4 1/4" = 1'	CHECKED - TLC	REVISED -			SCALE:	SHEET NO. 1 OF 6 SHEETS	STA. 22+29.00 TO STA. 25+06.39	CONTRACT NO. 97468	
PLOT DATE = 2011-05-10	DATE = 2010-06-11	REVISED -	REVISED -							