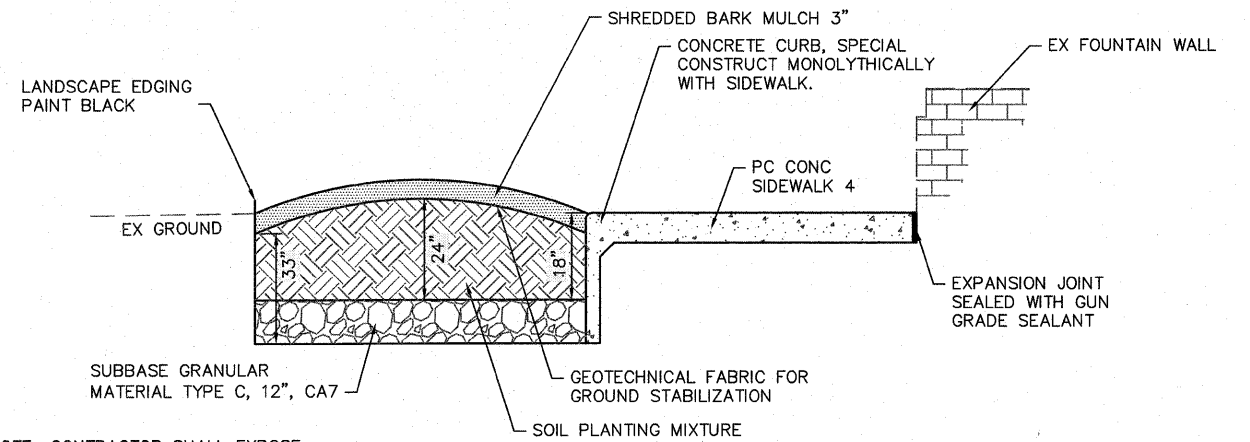
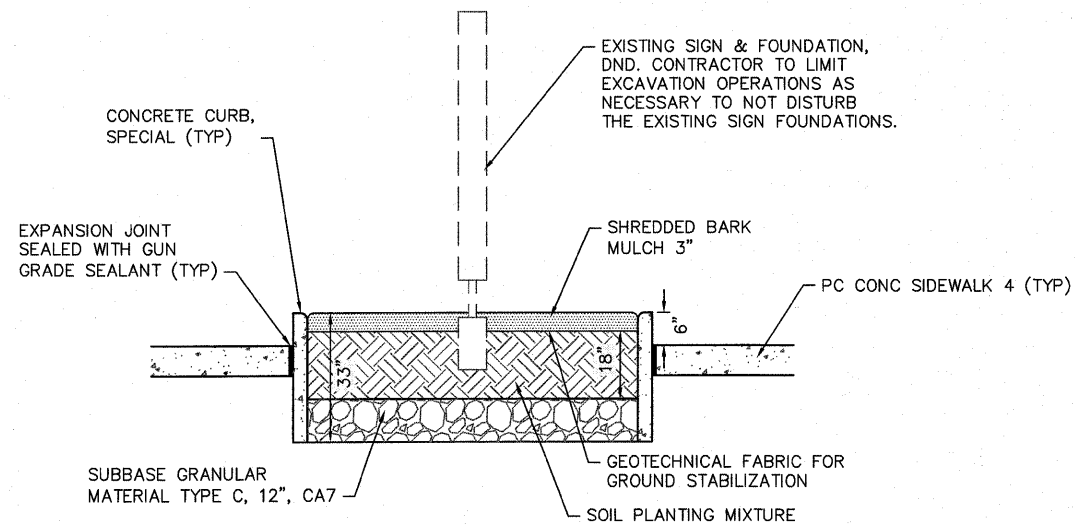


LANDSCAPING DETAIL 1  
NOT TO SCALE



NOTE: CONTRACTOR SHALL EXPOSE UTILITIES AND COORDINATE WORK TO AVOID DISRUPTION OF SERVICE TO EXISTING UTILITIES.

LANDSCAPING DETAIL 2  
NOT TO SCALE



LANDSCAPING DETAIL 3  
NOT TO SCALE

STATE OF ILLINOIS  
DEPARTMENT OF TRANSPORTATION

DETAILS

FILE NAME =  
H:\P\25040\DWG\PHASE 1\25040-  
DESIGN.DWG

USER NAME = ASHLEIGH ENGELMANN  
DESIGNED - SLW  
DRAWN - SLW  
PLOT SCALE = 4 1/8" = 1'  
PLOT DATE = 2011-06-20

DESIGNED - SLW  
DRAWN - SLW  
CHECKED - TLC  
DATE - 2010-06-11

REVISED -  
REVISED -  
REVISED -  
REVISED -

SCALE: SHEET NO. 3 OF 6 SHEETS STA. 22+29.00 TO STA. 25+06.39

F.A.U. RTE.	SECTION	COUNTY	TOTAL SHEETS	SHEET NO.
9302	06-00045-00-SW	MONROE	24	14
CONTRACT NO. 97468				
COLUMBIA ILLINOIS FED. AID PROJECT				