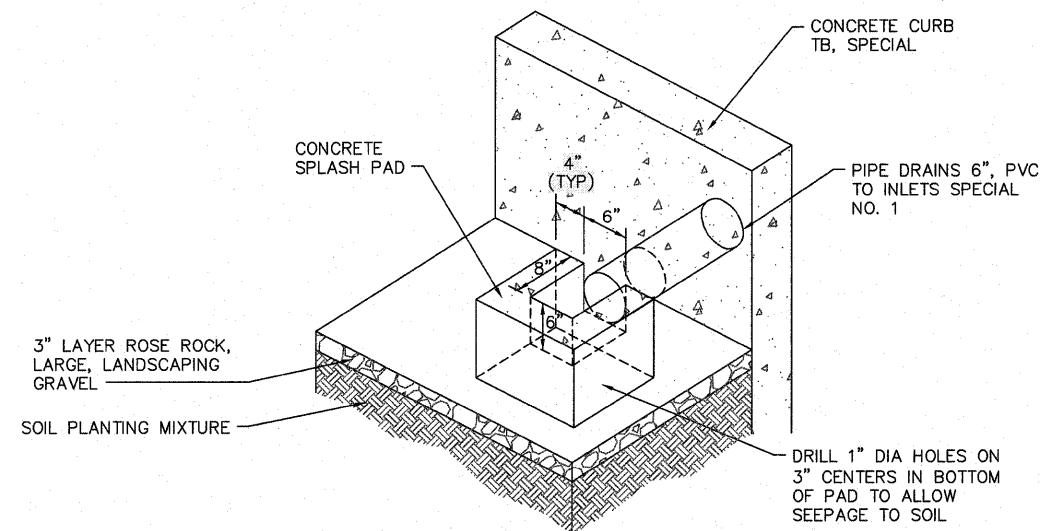


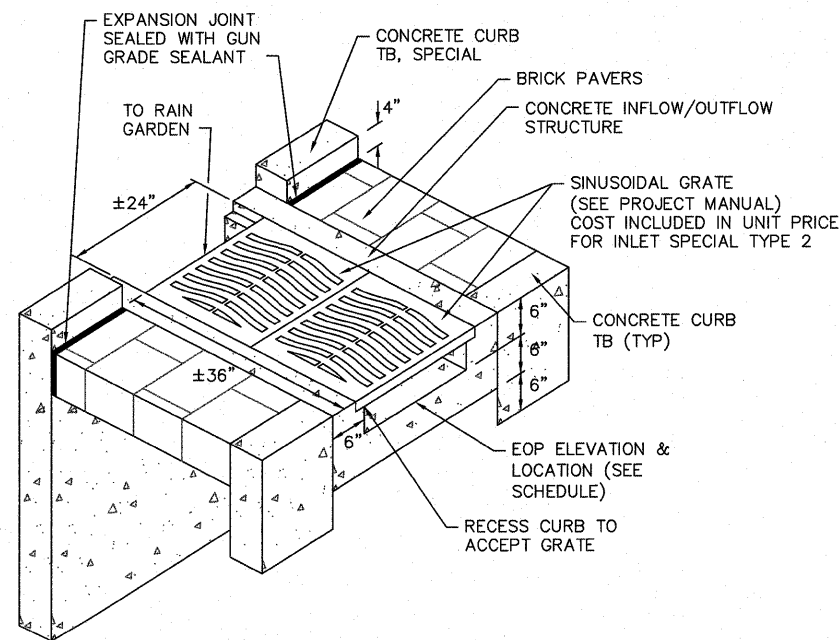
**INLETS SPECIAL NUMBER 1 DETAIL**

NOT TO SCALE  
 STA 24+25, 17.7' LT (INFLOW)  
 STA 24+67, 19.6' RT (OUTFLOW)  
 STA 24+68, 17.4' LT (OUTFLOW)



**CONCRETE SPLASH PAD DETAIL**

NOT TO SCALE



**INLETS SPECIAL NUMBER 2 DETAIL**

NOT TO SCALE  
 STA 22+40, 18.3' RT (OUTFLOW)  
 STA 22+62, 17.8' RT (INFLOW)  
 STA 23+98, 15.2' LT (OUTFLOW)  
 STA 24+84, 16.5' LT (INFLOW)  
 STA 24+89, 18.7' RT (INFLOW)

FILE NAME = H:\P\25040\DWG\PHASE 1\25040-DESIGN.DWG

USER NAME = ASHLEIGH ENGELMANN  
 DESIGNED - SLW  
 DRAWN - SLW  
 CHECKED - TLC  
 DATE - 2011-06-20

REVISED -  
 REVISED -  
 REVISED -  
 REVISED -

STATE OF ILLINOIS  
 DEPARTMENT OF TRANSPORTATION

DETAILS

SCALE: SHEET NO. 5 OF 6 SHEETS STA. 22+29.00 TO STA. 25+06.39

F.A.U. RTE.	SECTION	COUNTY	TOTAL SHEETS	SHEET NO.
9302	06-00045-00-SW	MONROE	24	16
CONTRACT NO. 97468				
COLUMBIA ILLINOIS FED. AID PROJECT				