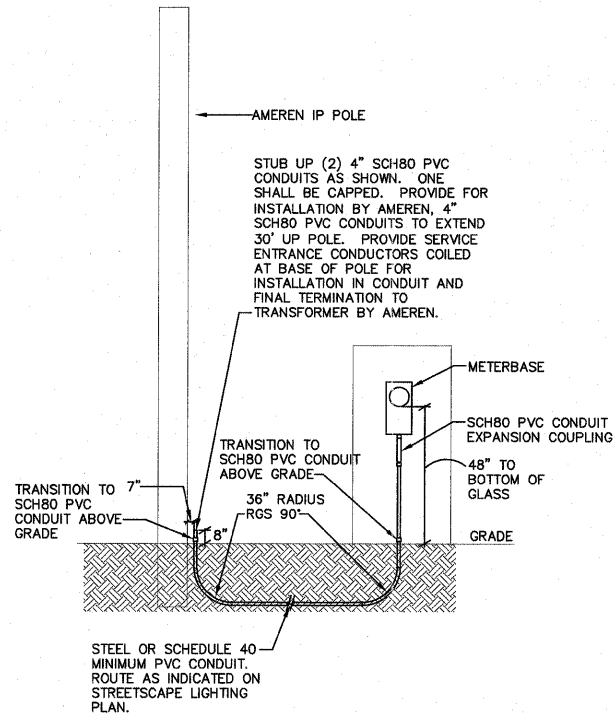


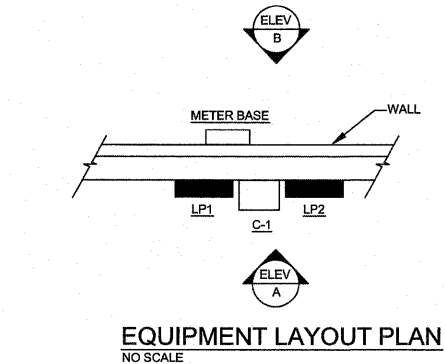
ELECTRICAL ONE-LINE DIAGRAM
NO SCALE

PANEL NO: LP1 (NEMA 3R ENCLOSURE)										22000 AIC	
VA	FUNCTION	SIZE	CKT	PH	CKT	SIZE	FUNCTION	VA			
360	PLAZA RECPTS	20A/1P	1	A	2	20A/1P	STREET POLE RECPT	1200			
360	PLAZA RECPTS	20A/1P	3	B	4	20A/1P	STREET POLE RECPT	1200			
1200	STREET POLE RECPT	20A/1P	5	A	6	20A/1P	SPARE	0			
1200	STREET POLE RECPT	20A/1P	7	B	8	20A/1P	SPARE	0			
1200	STREET POLE RECPT	20A/1P	9	A	10	20A/1P	SPARE	0			
0	SPARE	20A/1P	11	B	12	20A/1P	SPARE	0			
0	SPARE	20A/1P	13	A	14	20A/1P	SPARE	0			
0	SPARE	20A/1P	15	B	16	20A/1P	SPARE	0			
0	SPARE	20A/1P	17	A	18	20A/1P	SPARE	0			
0	SPARE	20A/1P	19	B	20	20A/1P	SPARE	0			
0	SPARE	20A/1P	21	A	22	20A/1P	SPARE	0			
0	SPARE	20A/1P	23	B	24	20A/1P	CONTROL POWER	100			
	SPACE		25	A	26		SPACE				
	SPACE		27	B	28		SPACE				
	SPACE		29	A	30		SPACE				
PHASE	A	B	TOTALS		VOLTS: 120/240V, 1#, 3W						
VOLTAMPS	9402	8012	17414								
MAINS:	100 AMP MLO		POLES: 30 POSITIONS		MOUNTING: SURFACE						

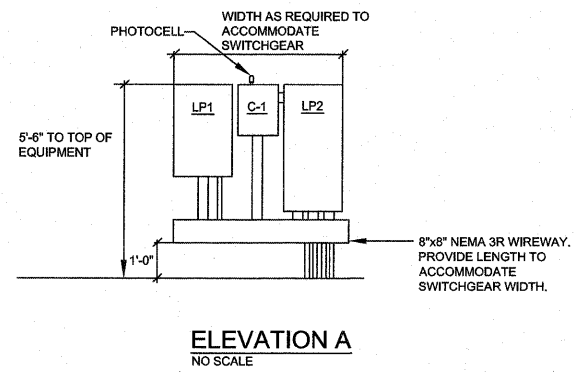
PANEL NO: LP2 (NEMA 3R ENCLOSURE)										22000 AIC	
VA	FUNCTION	SIZE	CKT	PH	CKT	SIZE	FUNCTION	VA			
443	STREETSCAPE LTG	20A/2P	1	A	2	20A/2P	STREETSCAPE LTG	443			
443	STREETSCAPE LTG	20A/2P	3	B	4	20A/2P	STREETSCAPE LTG	443			
148	STREETSCAPE LTG	20A/2P	5	A	6	20A/2P	STREETSCAPE LTG	148			
148	STREETSCAPE LTG	20A/2P	7	B	8	20A/2P	STREETSCAPE LTG	148			
0	SPARE	20A/2P	9	A	10	20A/2P	SPARE	0			
0	SPARE	20A/2P	11	B	12	20A/2P	SPARE	0			
0	SPARE	20A/2P	13	A	14	20A/2P	SPARE	0			
0	SPARE	20A/2P	15	B	16	20A/2P	SPARE	0			
0	SPARE	20A/2P	17	A	18	20A/2P	SPARE	0			
0	SPARE	20A/2P	19	B	20	20A/2P	SPARE	0			
1080	CHRISTMAS RECPT	20A/1P	21	A	22	20A/1P	CHRISTMAS RECPT	1080			
720	CHRISTMAS RECPT	20A/1P	23	B	24	20A/1P	CHRISTMAS RECPT	720			
1200	PLAZA LIGHTING	20A/1P	25	A	26	20A/1P	SPARE	0			
0	SPARE	20A/1P	27	B	28	20A/1P	SPARE	0			
0	SPARE	20A/1P	29	A	30	20A/1P	SPARE	0			
0	SPARE	20A/1P	31	B	32	20A/1P	SPARE	0			
	SPACE		33	A	34		SPACE				
	SPACE		35	B	36		SPACE				
	SPACE		37	A	38		SPACE				
	SPACE		39	B	40		SPACE				
	SPACE		41	A	42		SPACE				
PHASE	A	B	TOTALS		VOLTS: 120/240V, 1#, 3W						
VOLTAMPS	9402	8012	17414								
MAINS:	200 AMP MLO		POLES: 42 POSITIONS		MOUNTING: SURFACE						



ELECTRICAL SERVICE SPECIAL
NO SCALE

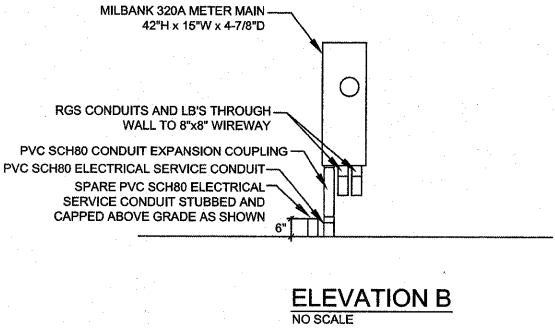


EQUIPMENT LAYOUT PLAN
NO SCALE



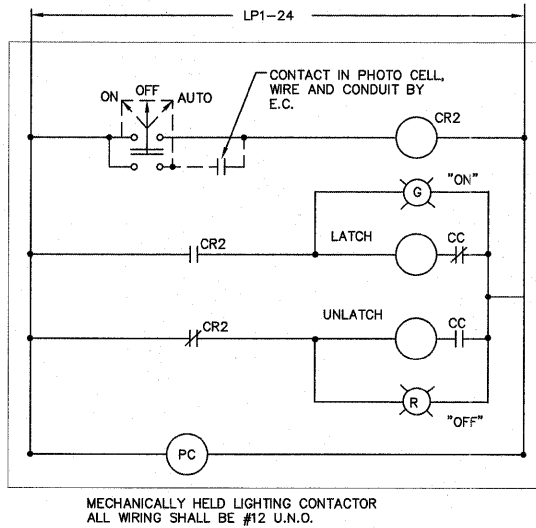
ELEVATION A
NO SCALE

NOTE: ALL METAL PRODUCTS SHALL BE MANUFACTURED OR PRODUCED AND FABRICATED IN THE UNITED STATES OF AMERICA. THE APPLICATION OF ALL COATINGS, EPOXY, GALVANIZING, PAINTING, ETC., TO METAL PRODUCTS SHALL BE APPLIED IN THE UNITED STATES OF AMERICA.

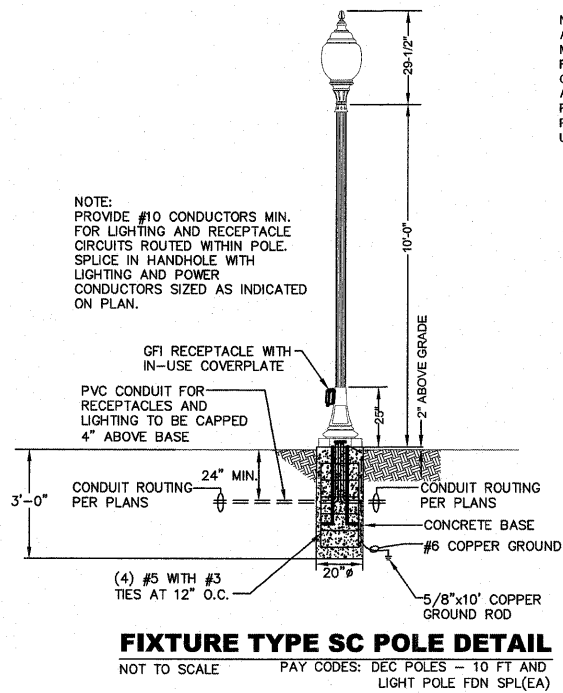


ELEVATION B
NO SCALE

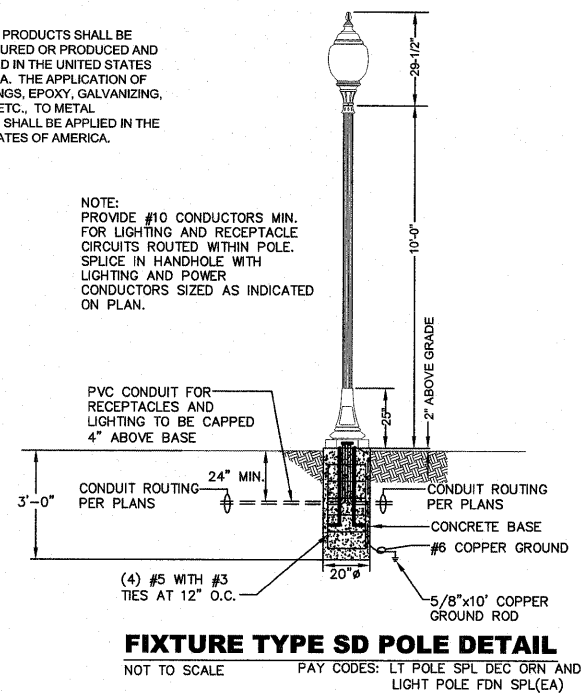
PANEL AND CONTROLS DETAIL
NO SCALE



CONTACTOR CONTROL DIAGRAM
NO SCALE



FIXTURE TYPE SC POLE DETAIL
NOT TO SCALE



FIXTURE TYPE SD POLE DETAIL
NOT TO SCALE

NOTE: ALL METAL PRODUCTS SHALL BE MANUFACTURED OR PRODUCED AND FABRICATED IN THE UNITED STATES OF AMERICA. THE APPLICATION OF ALL COATINGS, EPOXY, GALVANIZING, PAINTING, ETC., TO METAL PRODUCTS SHALL BE APPLIED IN THE UNITED STATES OF AMERICA.

NOTE: PROVIDE #10 CONDUCTORS MIN. FOR LIGHTING AND RECEPTACLE CIRCUITS ROUTED WITHIN POLE. SPLICE IN HANDHOLE WITH LIGHTING AND POWER CONDUCTORS SIZED AS INDICATED ON PLAN.

FILE NAME = M:\624-25\CAD\ELECTRICAL\ SHEETS.DWG

USER NAME = JEFF NOLTE
DESIGNED - JEN
DRAWN - JEN
CHECKED - BEC
PLOT SCALE = 4 1/4" = 1'
PLOT DATE = 2011-06-17

DESIGNED - JEN
DRAWN - JEN
CHECKED - BEC
DATE - 2011-05-13

STATE OF ILLINOIS
DEPARTMENT OF TRANSPORTATION

ELECTRICAL SCHEDULES AND DETAILS

SCALE: AS NOTED SHEET NO. 2 OF 3 SHEETS STA. _____ TO STA. _____

F.A.U. RTE.	SECTION	COUNTY	TOTAL SHEETS	SHEET NO.
9302	06-00045-00-SW	MONROE	24	19
COLUMBIA ILLINOIS FEDERAL AID PROJECT			CONTRACT NO. 97468	