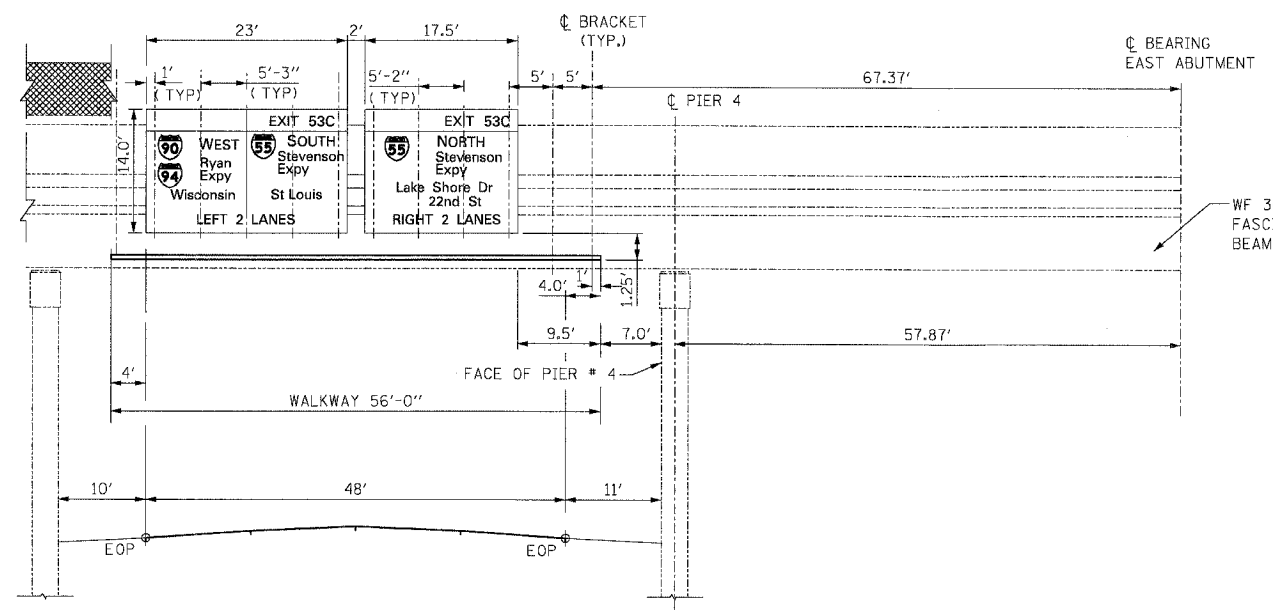
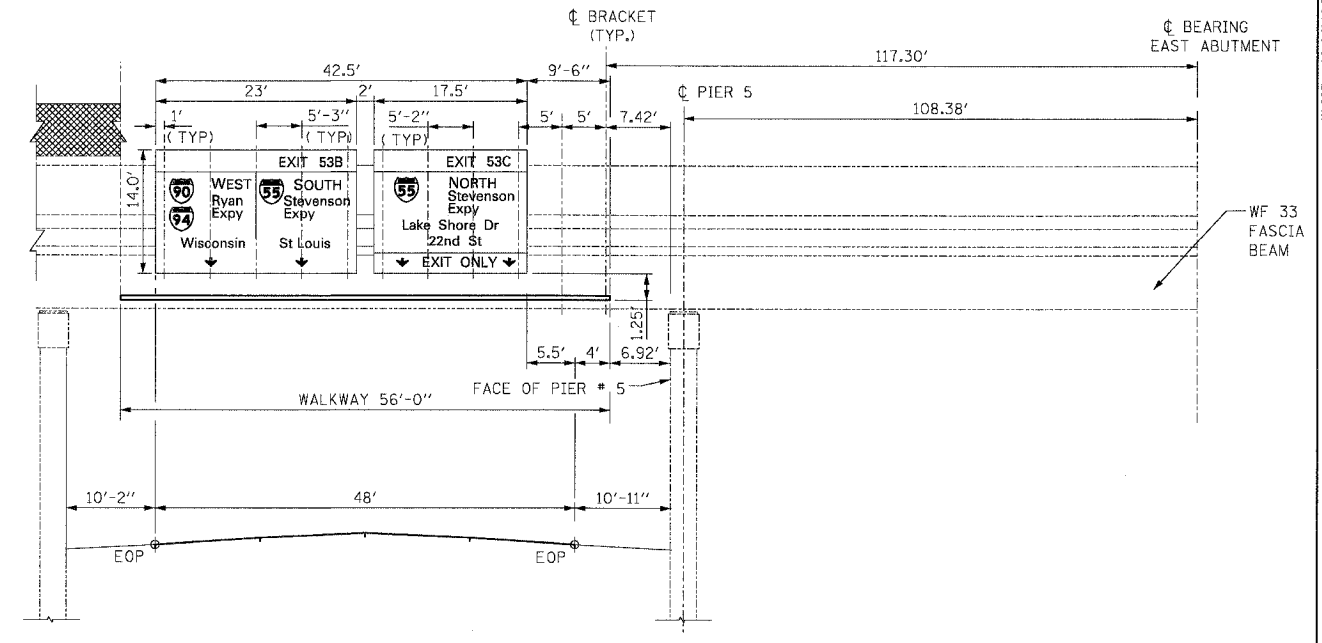


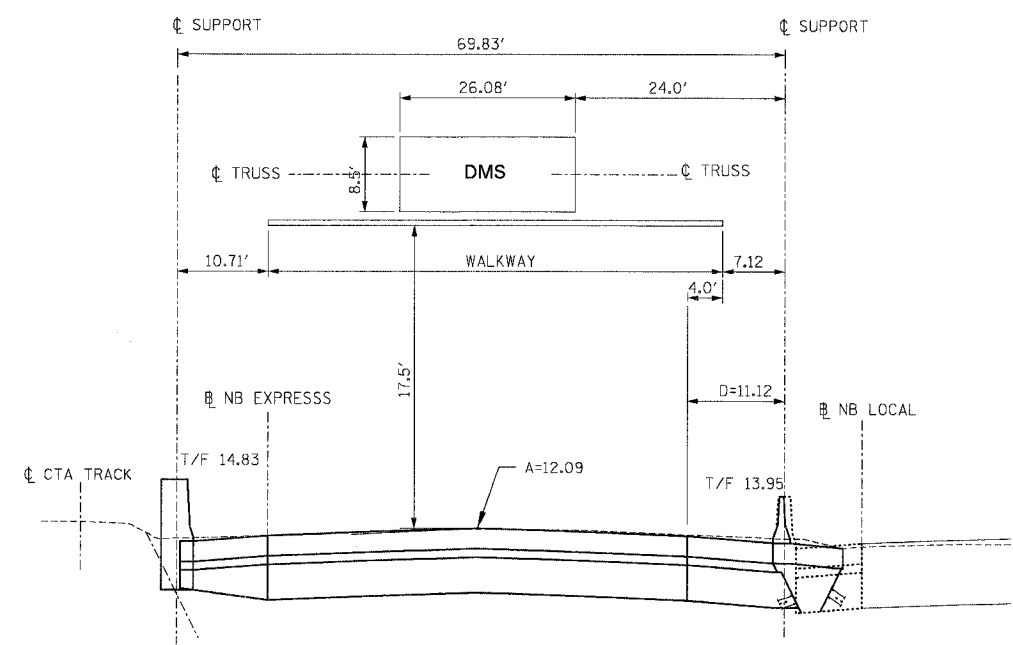
F.A.I. RTE.	SECTION	COUNTY	TOTAL SHEETS	SHEET NO.
94/90 *		COOK	556	287
STA.	TO STA.			
FED. ROAD DIST. NO. 1 ILLINOIS FED. AID PROJECT				
62300 * (1818, ETC., 2324.6-1PIR-8				



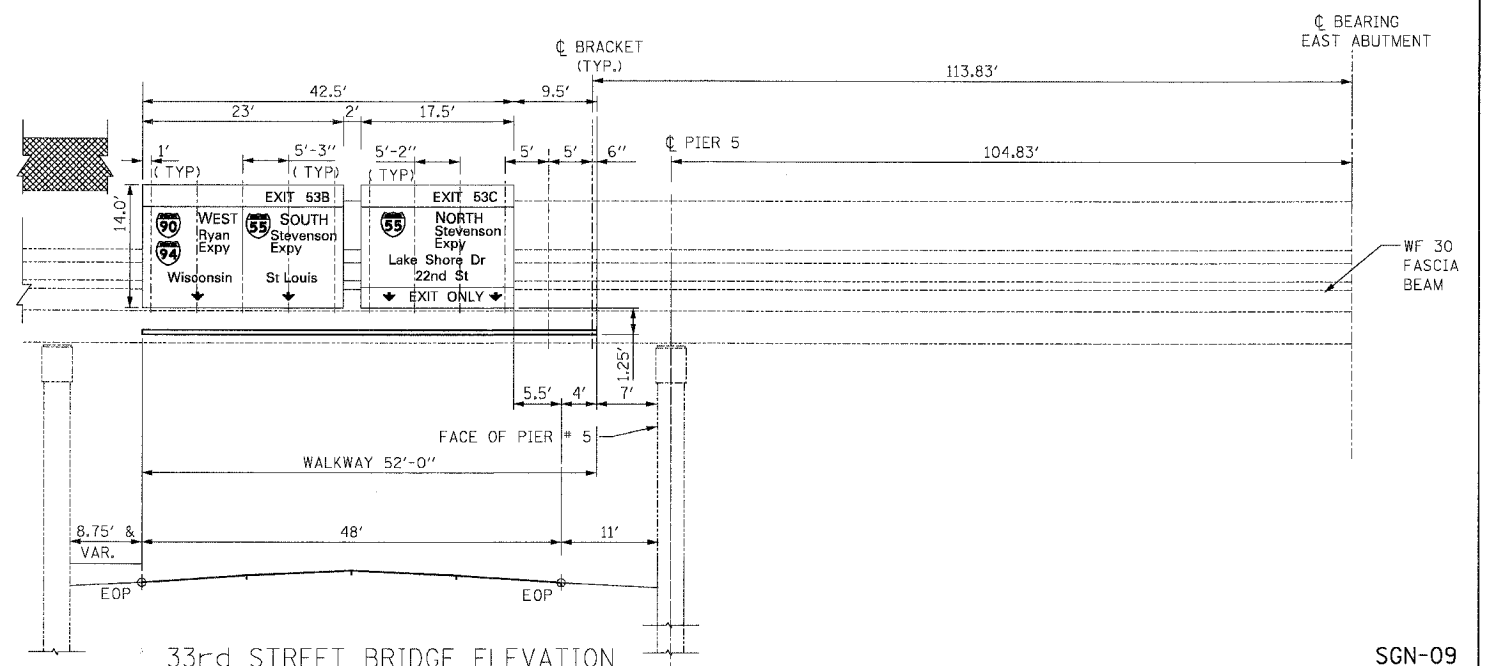
**PERSHING ROAD (39TH ST) BRIDGE ELEVATION**  
 EXPRESS LANES NORTH BOUND  
 1B016I094L055.73  
 STA. 4582+26±



**31st STREET BRIDGE ELEVATION**  
 EXPRESS LANES NORTH BOUND  
 1B016I094L054.72  
 STA. 4635+47±



1S016I094R055.41  
 STA. 4598+65 (STA. 2598+58.71)  
 I-94/90 NB LOOKING NORTH



**33rd STREET BRIDGE ELEVATION**  
 EXPRESS LANES NORTH BOUND  
 1B016I094L054.97  
 STA. 4622+31±

REVISIONS	
NAME	DATE

ILLINOIS DEPARTMENT OF TRANSPORTATION  
 F.A.I. 94/90 (DAN RYAN EXPRESSWAY)  
 31ST STREET TO 71ST STREET  
 NB EXPRESS LANE RECONSTRUCTION  
 SIGN PLACEMENT DETAILS

SCALE: NONE  
 DATE: 07/07/05  
 DRAWN BY: MD  
 CHECKED BY: MSA

**K&T** KAM ENGINEERING, INC.  
 CONSULTING ENGINEERS  
 707A Davis Road, Suite 205  
 Elgin, Illinois 60123-1369

6/27/2005 6:52:39 PM