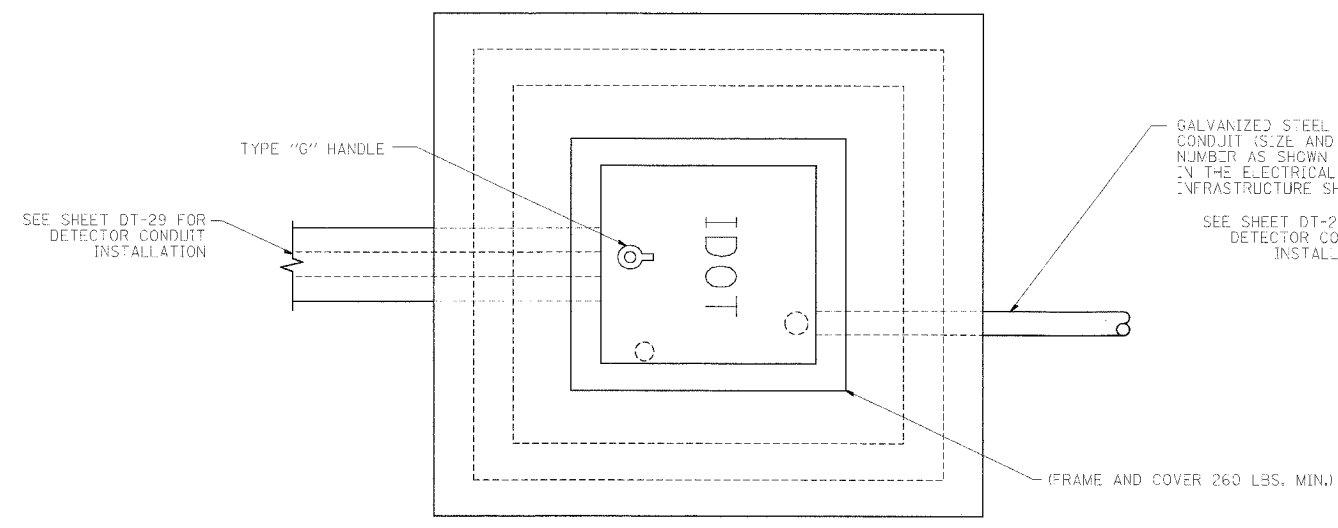
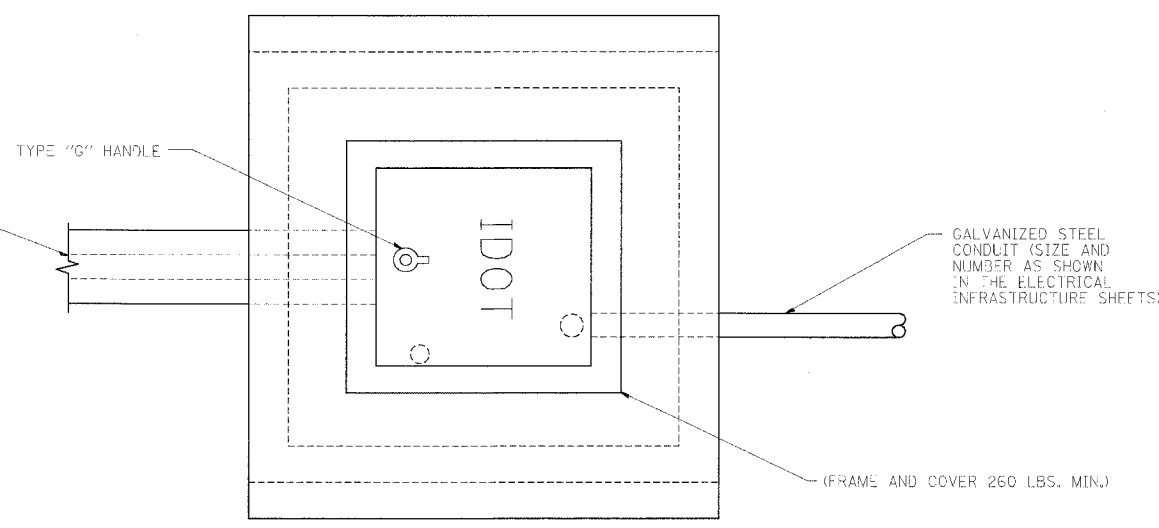


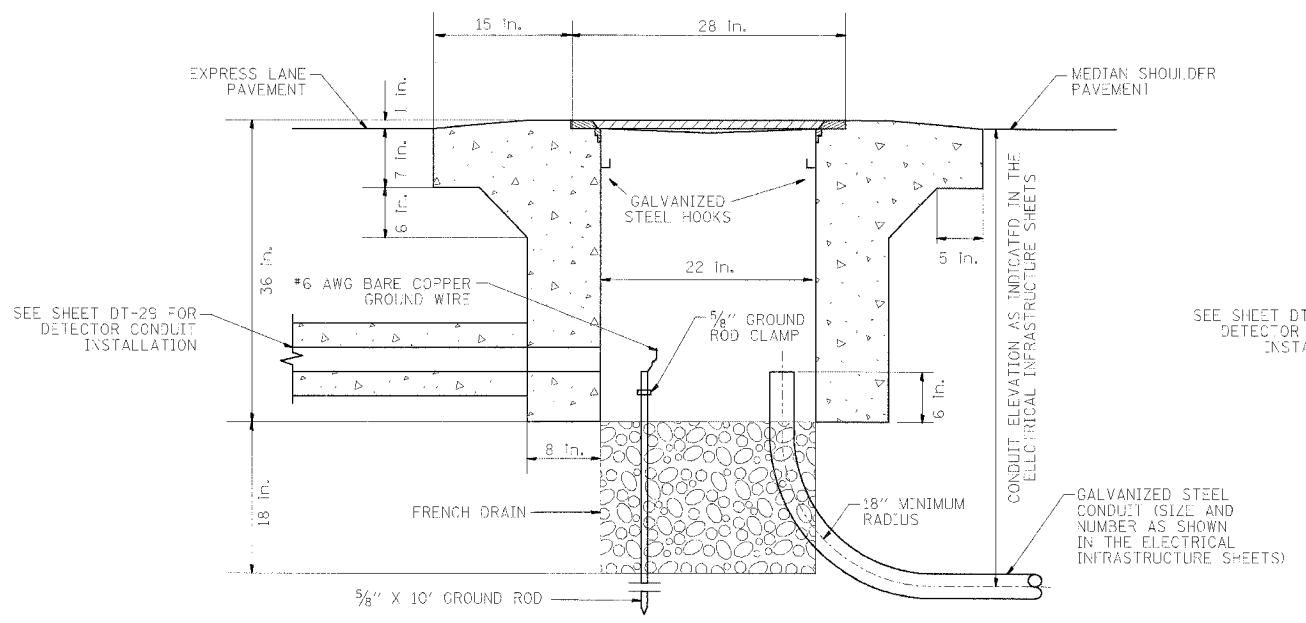
F.A.I. RTE.	SECTION	COUNTY	TOTAL SHEETS	SHEET NO.
94/90		COOK	556	346
STA.	TO STA.			
FED. ROAD DIST. NO.	ILLINOIS	FED. AID PROJECT		
62300	11818, ETC, 2324.6-1P/R-8			



PLAN

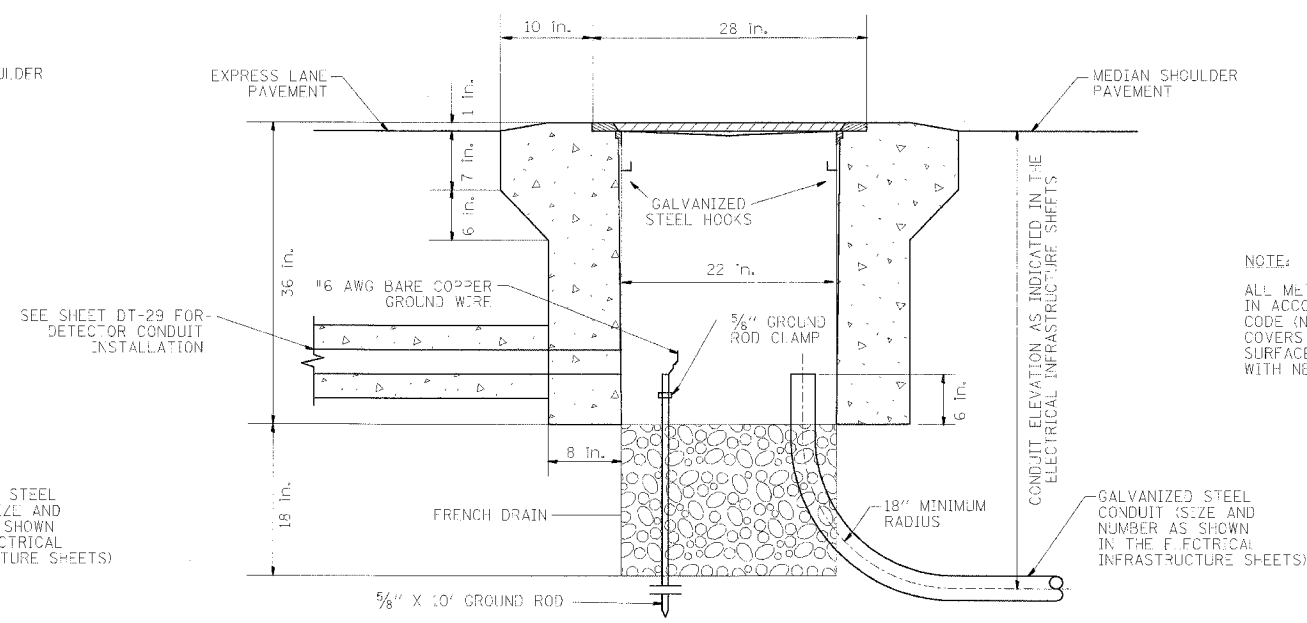


PLAN



ELEVATION

PC CONCRETE - HEAVY DUTY HANDHOLE



ELEVATION

PC CONCRETE - HEAVY DUTY HANDHOLE (SPECIAL)

NOTE:
ALL METALLIC ELEMENTS SHALL BE GROUND IN ACCORDANCE WITH THE NATIONAL ELECTRIC CODE (NEC), SECTION 250, GROUNDING. METAL COVERS AND OTHER EXPOSED CONDUCTIVE SURFACES SHALL BE BONDED IN ACCORDANCE WITH NEC ARTICLE 250.96 (A).

DT-46

Edwards AND Kelcey
ONE NORTH FRANKLIN
CHICAGO, IL 60606
PHONE: (312) 251-3000
FAX: (312) 251-3015
WEB: WWW.EKCORP.COM

REVISIONS	
NAME	DATE

ILLINOIS DEPARTMENT OF TRANSPORTATION
F.A.I. 94/90 (DAN RYAN EXPRESSWAY)
31ST STREET TO 71ST STREET
NB EXPRESS LANE RECONSTRUCTION
PC CONCRETE - HEAVY DUTY HANDHOLE DETAIL (TYPE S1)
SCALE: NTS
DATE: 7/7/05
DRAWN BY: CJH
CHECKED BY: MJL

06/24/2005 01:43 PM