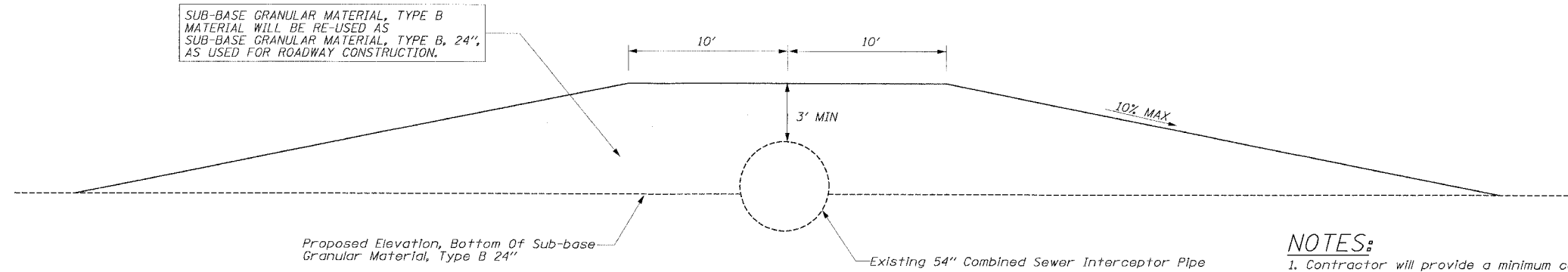


F.A.I. RTE.	SECTION	COUNTY	TOTAL SHEETS	SHEET NO.
94/90		COOK	556	348
STA. 7111+80.00		TO STA. 7114+90.00		
FED. ROAD DIST. NO.	ILLINOIS	FED. AID PROJECT		
62300	• (1818, ETC, 2324.6-1P)R-8			



54" SEWER INTERCEPTOR (STA. 1385+44 SB, 2385+64 NB)
 36" WATER MAIN (STA. 1533+28 SB, 2533+49 NB)
 CONSTRUCTION PROTECTION

NOTES:
 1. Contractor will provide a minimum cover, as shown above at all times during construction and prior to the installation of the permanent Water Main/Sewer Protection Cap. Construction traffic shall not cross the water main/sewer pipe without protection in place.
 2. CONTRACTOR IS RESPONSIBLE FOR THE INTEGRITY OF WATER MAIN/SEWER PIPE THROUGH THE DURATION OF THE PROJECT, AND WILL NOT BE PAID FOR ANY REPAIRS REQUIRED, AS DETERMINED BY THE ENGINEER, TO THE PIPE, DUE TO CONSTRUCTION ACTIVITIES.

Edwards AND Kelcey
 ONE NORTH FRANKLIN
 CHICAGO, IL 60606
 PHONE: (312) 251-3000
 FAX: (312) 251-3015
 WEB: WWW.EKCORP.COM

REVISIONS	
NAME	DATE

ILLINOIS DEPARTMENT OF TRANSPORTATION
 F.A.I. 94/90 (DAN RYAN EXPRESSWAY)
 31ST STREET TO 71ST STREET
 NB EXPRESS LANE RECONSTRUCTION
 CIVIL DETAILS
 CONSTRUCTION PROTECTION
 SCALE: NOT TO SCALE
 DATE: 7/7/05
 DRAWN BY: TAI
 CHECKED BY: DPB

CDT-1
 06/27/2005 01:26:36 PM