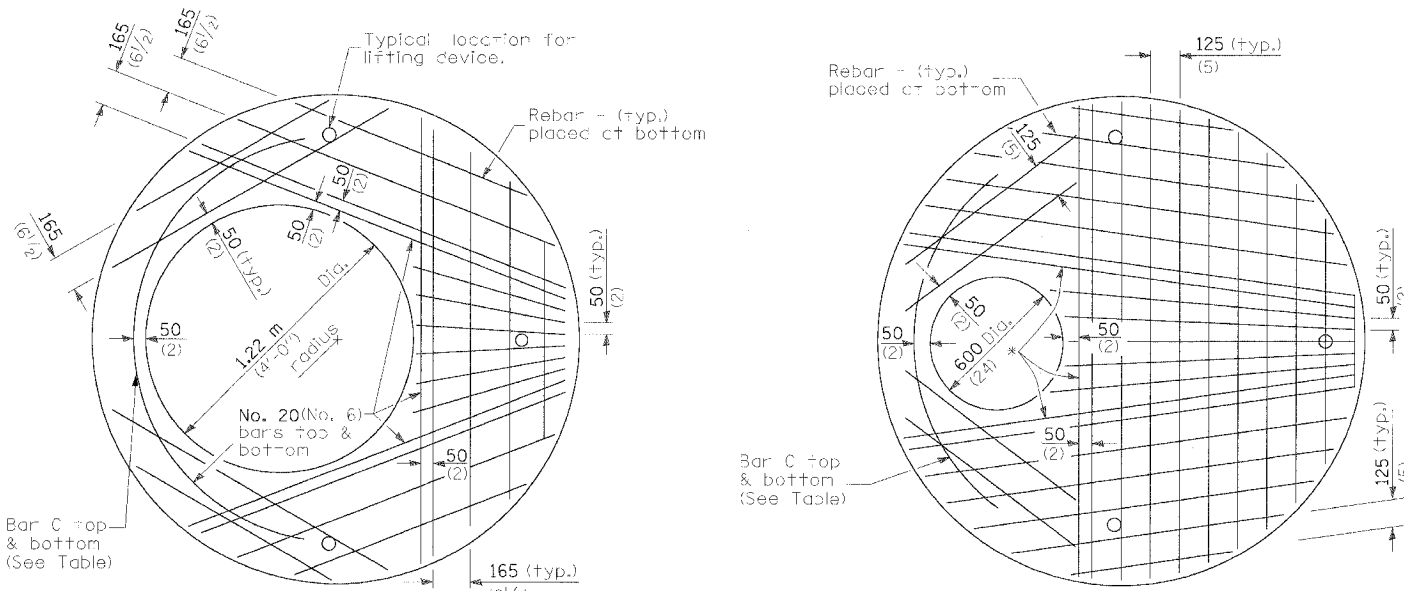


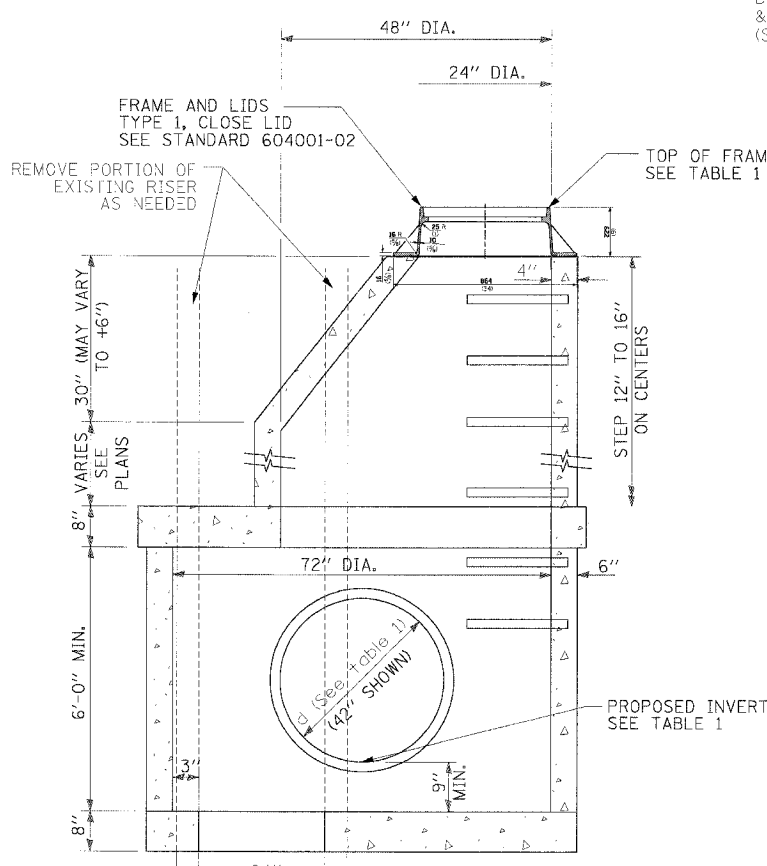
STR.	TF.	INVERT			DIAMETER (d)				
		WEST	EAST	OTHERS	WEST	EAST	OTHERS	OTHERS	
DMH 3-01	-6.11	-18.63	-17.97	-12.46(N)	-12.73(S)	36"	24"	24"	15"
DMH 5-01	-3.72	-14.39	-14.39	-10.1(N)		36"	30"	12"	
DMH 6-01	2.91	-14.39	-16.31			36"	42"		
DMH 8-01	-0.05	-13.32	-12.29			36"	27"		
DMH 9-01	1.5	-18.64	-18.64			36"	42"		

TABLE 1
SEE DRAINAGE SCHEDULE AND DU-SHEETS FOR MORE INFORMATION

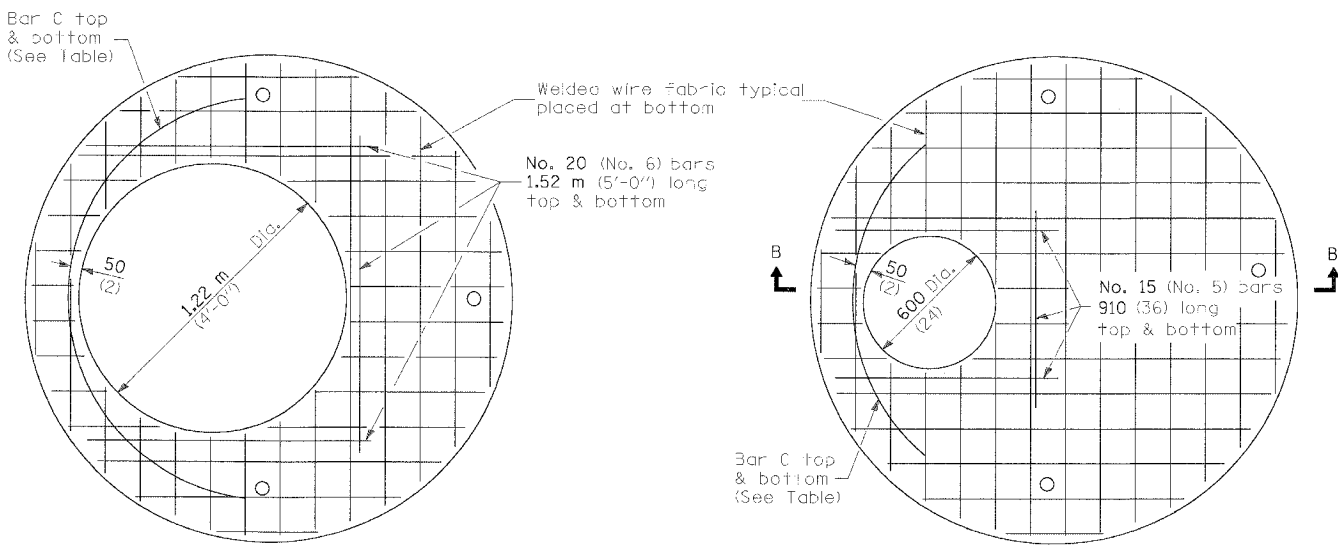


PLAN
Showing Rebar Reinforcement

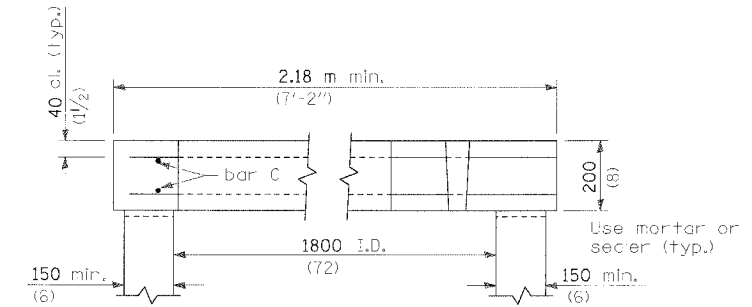
Diameter of opening	Thickness	Reinforcement "As" WWF Each direction	Bar Size	No. 15 (No. 4) Bar C	
				Length	Radius
600 (24)	200 (8)	2244 mm ² /m (0.06 sq. in./ft.)	No. 20 (No. 6)	1.83 m (6'-0")	965 (38)
0.91 m or 1.2 m (3'-0" or 4'-0")	200 (8)	1736 mm ² /m (0.82 sq. in./ft.)	No. 20 (No. 6)	2.74 m (9'-0")	965 (38)



ELEVATION



PLAN
Showing Welded Wire Fabric Reinforcement



SECTION B-B

GENERAL NOTES

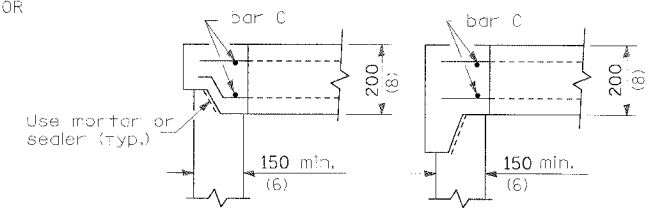
Joint configuration and dimensions of flat slab top shall match and fit the riser joint detail.

Lifting devices shall be approved by the Engineer.

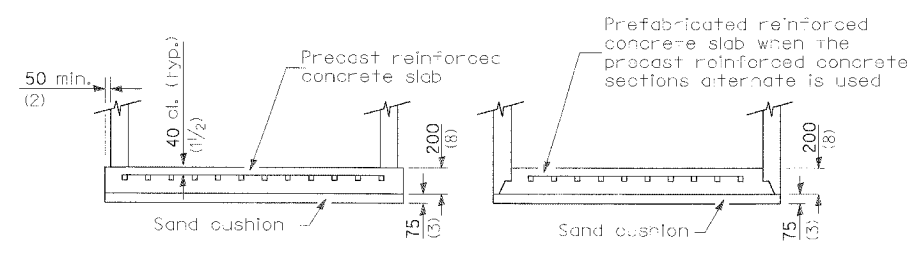
Bottom slabs shall be reinforced with a minimum of 975 mm²/m (0.46 sq. in./ft.) in both directions.

See Standard 602701 for details of cast iron steps.

All dimensions are in millimeters (inches) unless otherwise shown.



ALTERNATE JOINT CONFIGURATIONS



ALTERNATE BOTTOM SLABS

Edwards and Kelcey
ONE NORTH FRANKLIN
CHICAGO, IL 60606
PHONE: (312) 251-3000
FAX: (312) 251-3015
WEB: WWW.EKCORP.COM

REVISIONS		ILLINOIS DEPARTMENT OF TRANSPORTATION F.A.I. 94/90 (DAN RYAN EXPRESSWAY) 31ST STREET TO 71ST STREET NB EXPRESS LANE RECONSTRUCTION MAIN DRAIN DROP MANHOLE DETAILS
NAME	DATE	
		SCALE: NONE
		DATE: 7/7/05
		DRAWN BY: MJP
		CHECKED BY: PJM

P:\0300\940505\Corr\4815\CAD\DWG\40126.dwg