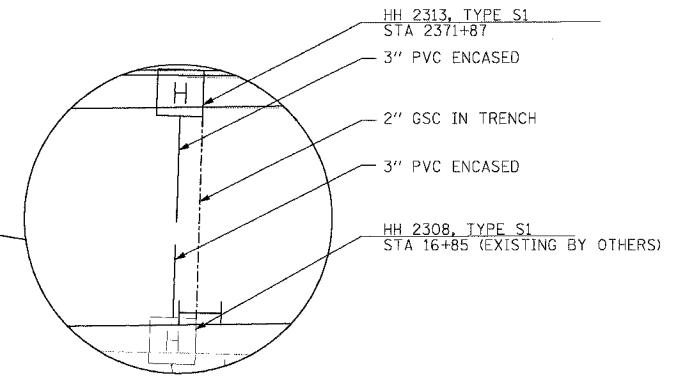
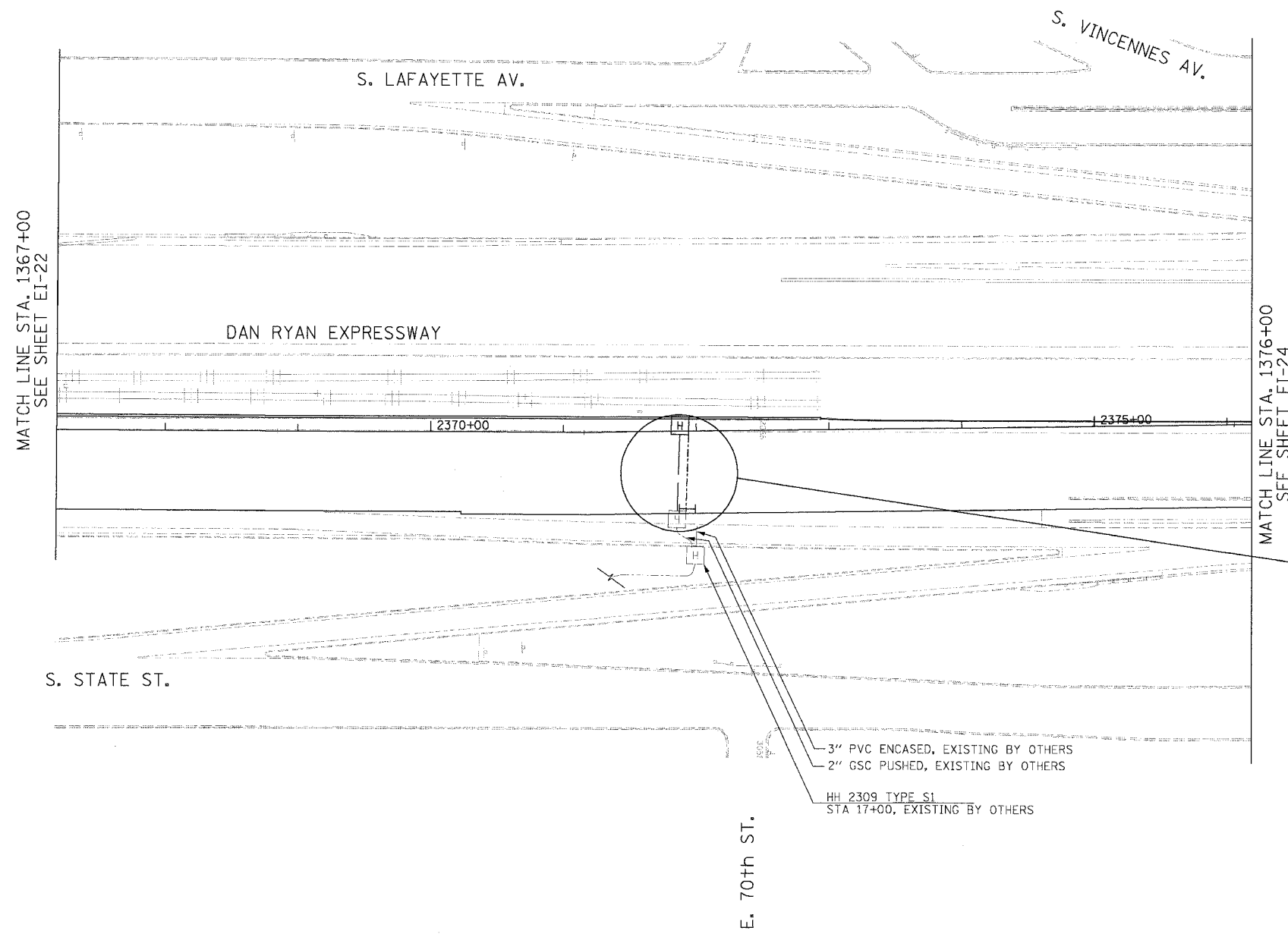
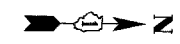
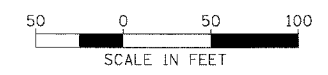


F.A.I. RTE.	SECTION	COUNTY	TOTAL SHEETS	SHEET NO.
94/90	*	COOK	556	321
STA. 1366+00		TO STA. 1376+00		
FED. ROAD DIST. NO.	ILLINOIS	FED. AID PROJECT		
62300		• (181B, ETC, 2324.6-1P)R-8		



NOTE:
 3" PVC ENCASED, EXISTING BY OTHERS
 2" GSC PUSHED, EXISTING BY OTHERS
 HH 2309 TYPE S1
 STA 17+00, EXISTING BY OTHERS

- NOTES:
1. SEE DRAWING EI-100 AND EI-101 FOR ELECTRICAL SYSTEMS AND ABBREVIATIONS.
 2. UNLESS OTHERWISE STATED, ALL NOTED CABLE TO BE FURNISHED AND INSTALLED UNDER ANOTHER CONTRACT.
 3. TRENCHED CONDUITS INSTALLED IN PARALLEL ARE TO BE INSTALLED IN COMMON TRENCH.
 4. THIS SHEET ONLY DEPICTS INSTALLATION OF DETECTION/RAMP METER ELEMENTS. REFER TO SHEETS FOR OTHER SUBSYSTEMS FOR ADDITIONAL ELEMENTS IN THE AREA SHOWN.
 5. DETECTOR LOOPS INSTALLED BY OTHERS.
 6. REFER TO HANDHOLE DETAILS. SEE DRAWING DET-29



EI-23

Edwards AND Kelcey
 ONE NORTH FRANKLIN
 CHICAGO, IL 60606
 PHONE: (312) 251-3000
 FAX: (312) 251-3015
 WEB: WWW.EKCORP.COM

REVISIONS	
NAME	DATE

ILLINOIS DEPARTMENT OF TRANSPORTATION
 F.A.I. 94/90 (DAN RYAN EXPRESSWAY)
 31ST STREET TO 71ST STREET
 NB EXPRESS LANE RECONSTRUCTION
 ELECTRICAL INFRASTRUCTURE PLAN
 NORTHBOUND STA. 1367+00 TO 1376+00

SCALE: 1"=50'
 DATE: 7/7/05

DRAWN BY: CJH
 CHECKED BY: MJL

05/24/2005 06:08:25 PM