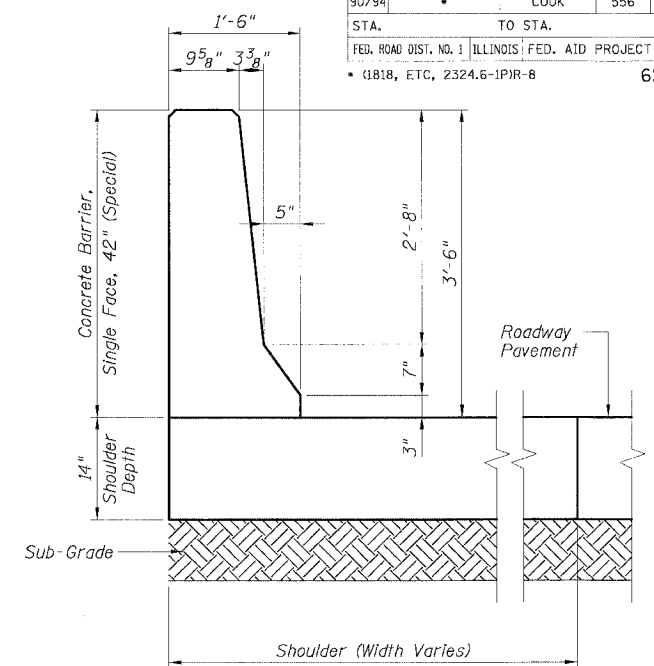
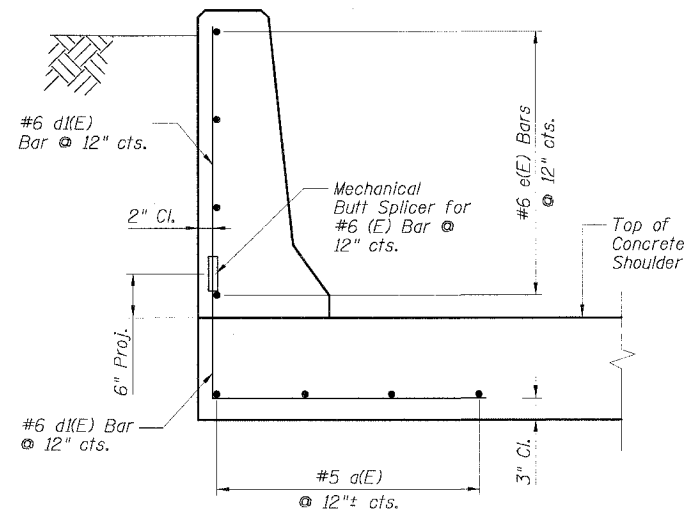
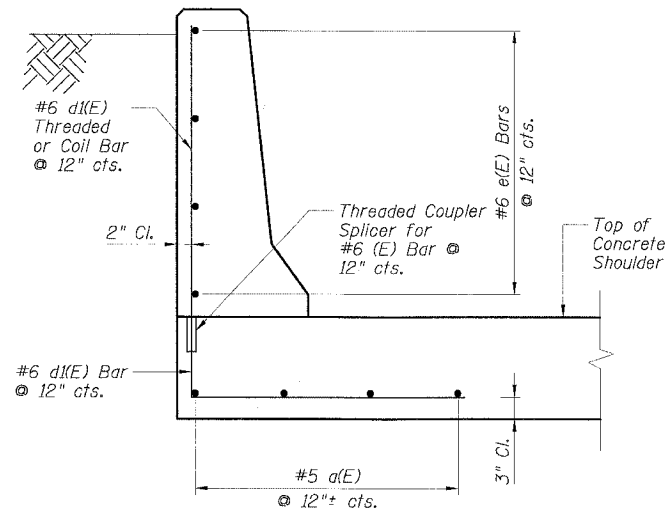
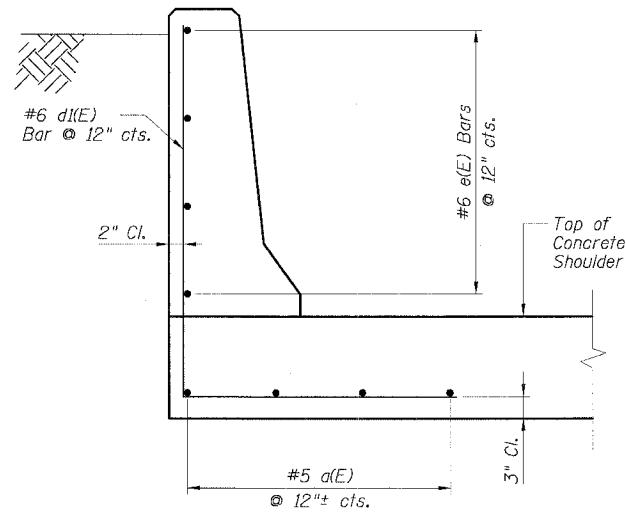
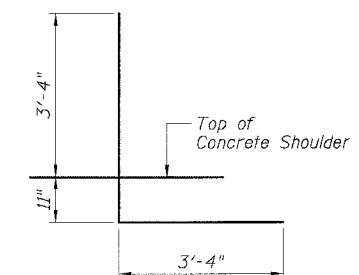
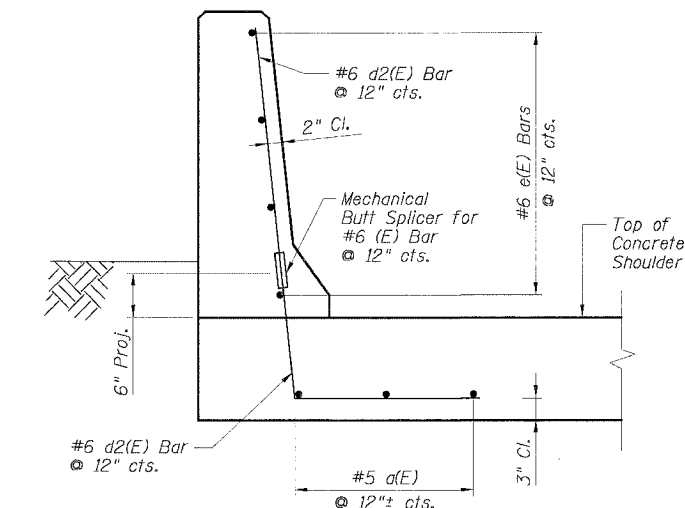
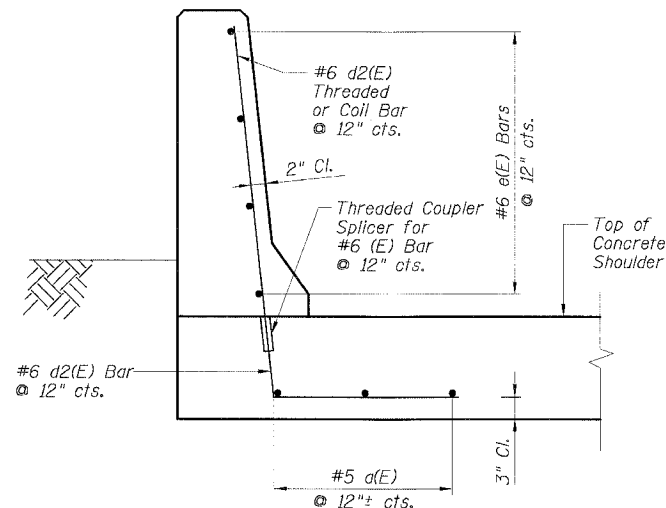
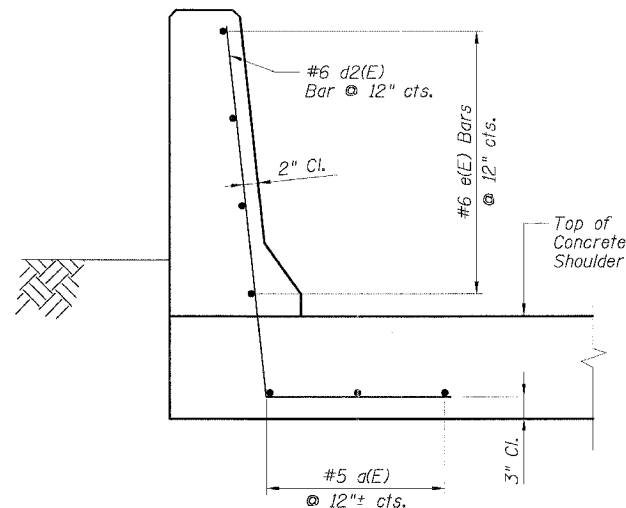


STATE OF ILLINOIS
DEPARTMENT OF TRANSPORTATION

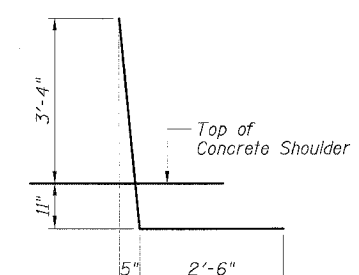
F.A.I. RTE.	SECTION	COUNTY	TOTAL SHEETS	SHEET NO.
90/94		COOK	556	365
STA.	TO STA.		ILLINOIS FED. AID PROJECT	
FED. ROAD DIST. NO. 1			• (1818, ETC., 2324.6-IPR-8)	
			62300	



DIMENSIONS



BAR d1(E)



BAR d2(E)

CONCRETE BARRIER,
SINGLE FACE, 42" (SPECIAL)
ALTERNATE I

CONCRETE BARRIER,
SINGLE FACE, 42" (SPECIAL)
ALTERNATE II

CONCRETE BARRIER,
SINGLE FACE, 42" (SPECIAL)
ALTERNATE III

NOTES:

- The cost of furnishing and placing reinforcing in concrete shoulders and barriers shall be included in the cost per foot for "Concrete Barrier, Single Face, 42" (Special).

NOTES:

- The cost of furnishing and placing reinforcing and threaded coupler splicer in concrete shoulders and barriers shall be included in the cost per foot for "Concrete Barrier, Single Face, 42" (Special).
- Threaded coupler splicers shall be capable of developing a minimum of 125% of the yield strength of a #6 bar.

NOTES:

- The cost of furnishing and placing reinforcing in concrete shoulders and barriers shall be included in the cost per foot for "Concrete Barrier, Single Face, 42" (Special).
- Mechanical butt splicers shall be capable of developing a minimum of 125% of the yield strength of a #6 bar.

REVISIONS	
NAME	DATE

ILLINOIS DEPARTMENT OF TRANSPORTATION
F.A.I. 90/94 (DAN RYAN EXPRESSWAY)

CONCRETE BARRIER
SINGLE FACE, 42" (SPECIAL)
ALTERNATES

SCALE: None
DATE: JULY 7, 2005

DRAWN BY:
CHECKED BY:

CTE | AECOM
393 East Rocker Drive, Suite 600, Chicago, Illinois 60638-5078
T 312.234.8300 F 312.234.1109 www.cteaecom.com

F:\P4\465\Study\EX-Dwg\02-Dwg\02-Darwin\BARRIER\1-17-05