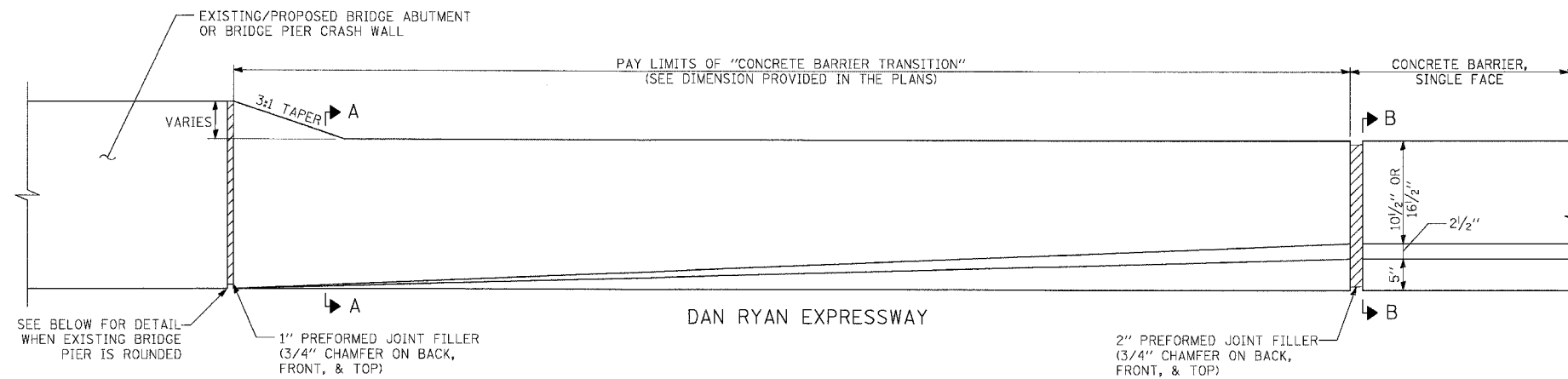
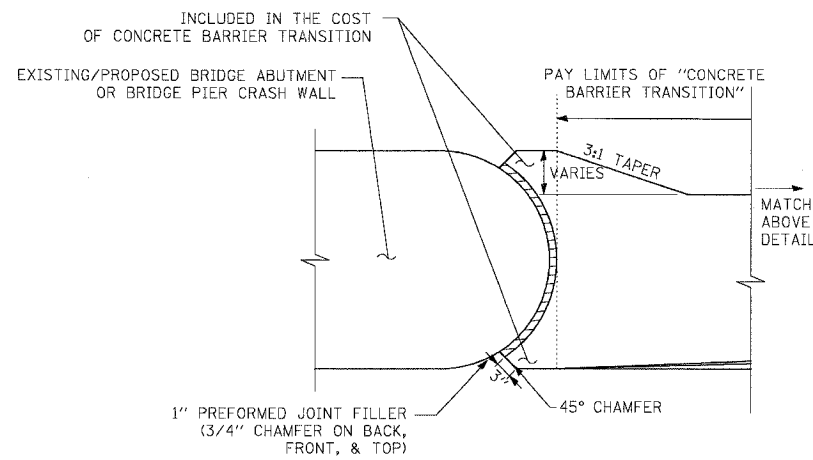


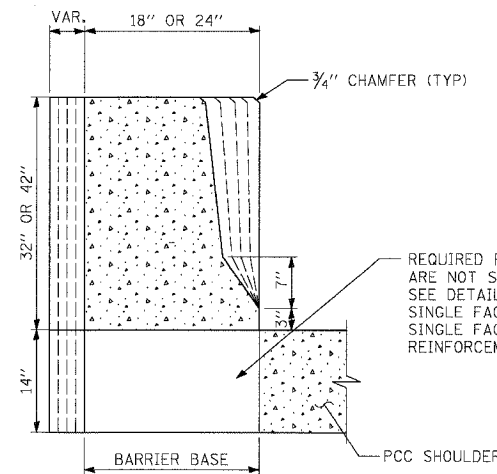
|                     |                            |                  |                    |     |
|---------------------|----------------------------|------------------|--------------------|-----|
| F.A.I. RTE.         | SECTION                    | COUNTY           | TOTAL SHEET SHEETS | NO. |
| 94/90               |                            | COOK             | 556                | 366 |
| STA.                | TO STA.                    |                  |                    |     |
| FED. ROAD DIST. NO. | ILLINOIS                   | FED. AID PROJECT |                    |     |
| 62300               | • (1818, ETC, 2324.6-1)R-8 |                  |                    |     |



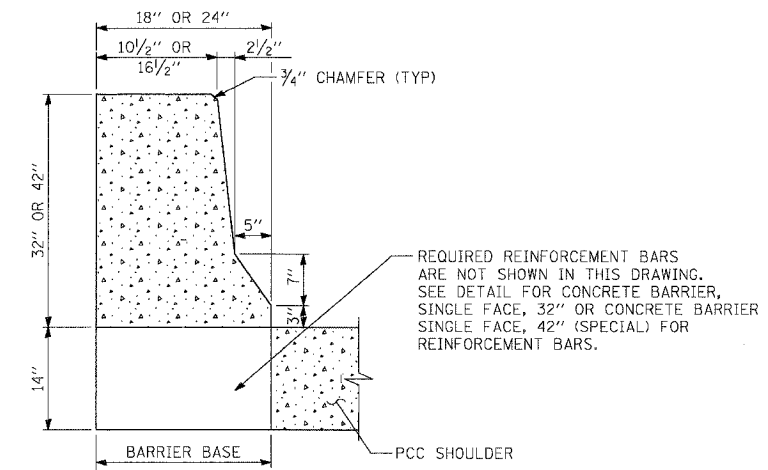
DETAIL OF "CONCRETE BARRIER TRANSITION"  
FOR SINGLE FACE BARRIER WALL



DETAIL OF "CONCRETE BARRIER TRANSITION"  
AT EXISTING ROUNDED PIER



SECTION A-A  
CONCRETE BARRIER TRANSITION



SECTION B-B  
CONCRETE BARRIER, SINGLE FACE  
& CONCRETE BARRIER BASE

NOTE:  
ALL TRANSITIONS PAID FOR AS  
CONCRETE BARRIER TRANSITION

**Edwards  
AND Kelcey**  
ONE NORTH FRANKLIN  
CHICAGO, IL 60606  
PHONE: (312) 251-3000  
FAX: (312) 251-3015  
WEB: WWW.EDCORP.COM

| REVISIONS |      |
|-----------|------|
| NAME      | DATE |
|           |      |
|           |      |
|           |      |
|           |      |
|           |      |
|           |      |
|           |      |
|           |      |
|           |      |
|           |      |

ILLINOIS DEPARTMENT OF TRANSPORTATION  
F.A.I. 94/90 (DAN RYAN EXPRESSWAY)  
31ST STREET TO 71ST STREET  
NB EXPRESS LANE RECONSTRUCTION  
CONCRETE BARRIER TRANSITION  
(SHEET 1 OF 3)  
SCALE: NONE  
DATE: 7/7/05  
DRAWN BY: TAI  
CHECKED BY: PJM

CDT-19

06/24/2005 01:34:17 PM