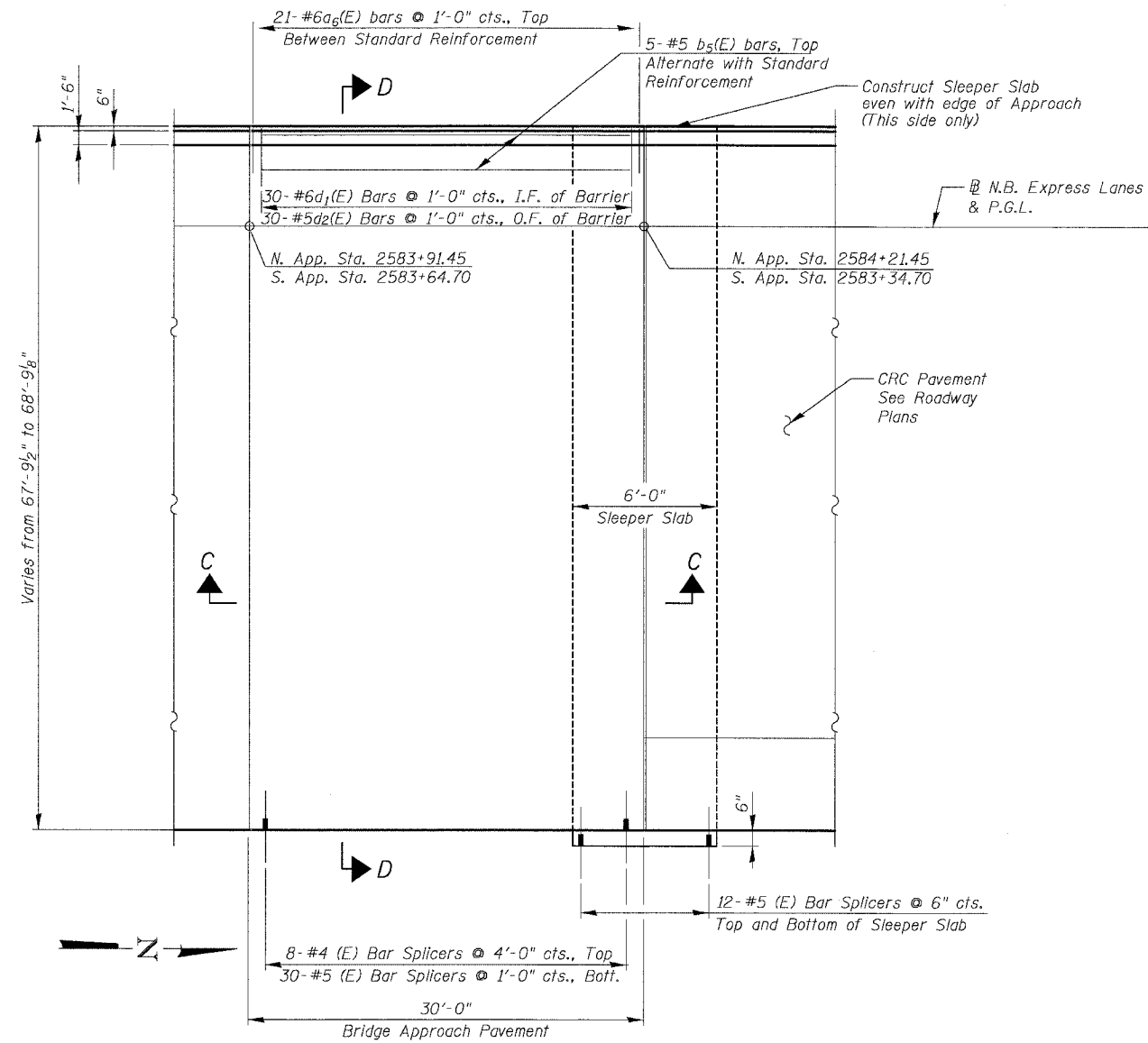
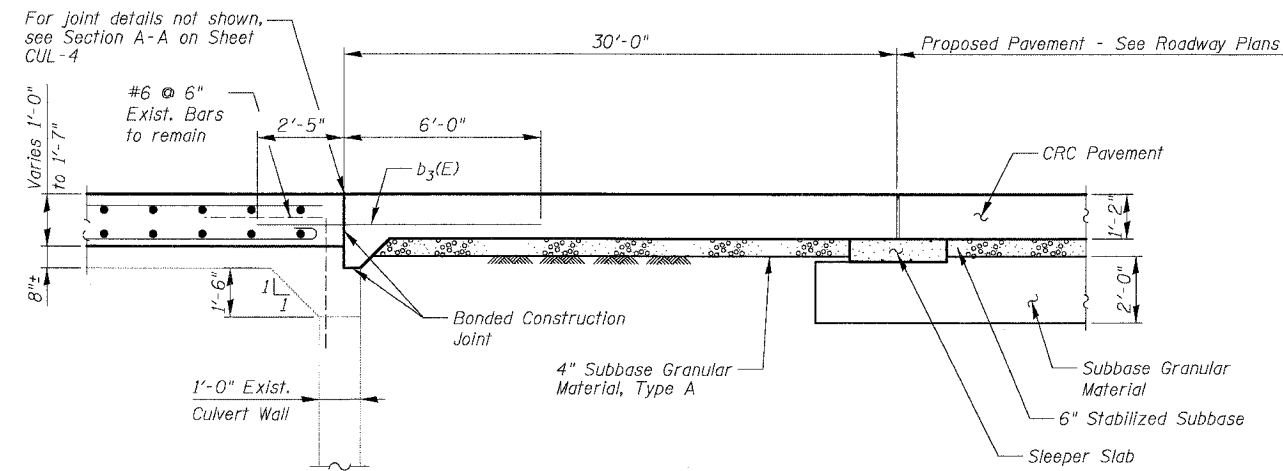


F.A.I.	SECTION	COUNTY	TOTAL SHEETS	SHEET NO.
94/90	*	COOK	556	438
STA.	TO STA.			
FED. ROAD DIST. NO.	ILLINOIS FED. AID PROJECT			
62300	*11818, ETC, 2324.6-1P1R-8			



PARTIAL PLAN
North Approach Shown
South Approach Similar

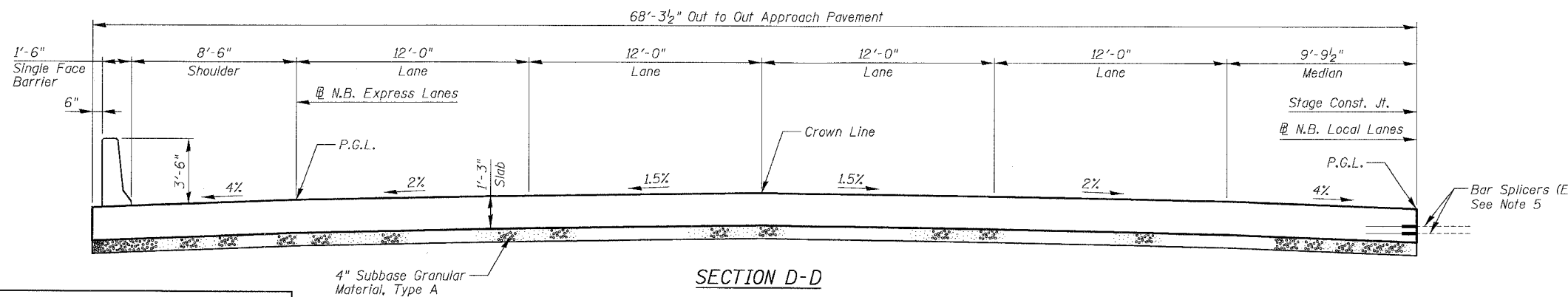


SECTION C-C

NOTES:

1. See IDOT Standard 420401 for typical approach pavement reinforcing and details
2. Reinforcement Bars designated (E) shall be epoxy coated.
3. See Sheet CUL-7 for CTA Barrier Details.
4. See Sheet CUL-7 for Bill of Materials.
5. Contractor shall provide bar splicers as shown here and on Sheet CUL-4. Install Stage I portion and provide Stage II to the Engineer. Plug threaded coupler with plastic nipple or H.S. Bolt for protection. Cost included with "Bar Splicers".

I.F. = Inside Face
O.F. = Outside Face



SECTION D-D

BOWMAN, BARRETT & ASSOCIATES INC.
CONSULTING ENGINEERS
Chicago, Illinois
312.228.0100
www.bbda-inc.com

REVISIONS	DATE

SHEET CUL-6 OF CUL-14
ILLINOIS DEPARTMENT OF TRANSPORTATION
F.A.I. 94/90 (DAN RYAN EXPRESSWAY)
31ST STREET TO 71ST STREET
NB EXPRESS LANE RECONSTRUCTION
MWRD CULVERT, N. OF 39TH ST.,
COOK COUNTY, S.N. 016-2625
APPROACH SLAB DETAILS 1
SCALE: N.T.S. DRAWN BY: MTR
DATE: 07/07/05 CHECKED BY: BLU

9/24/2005 9:20:07 AM