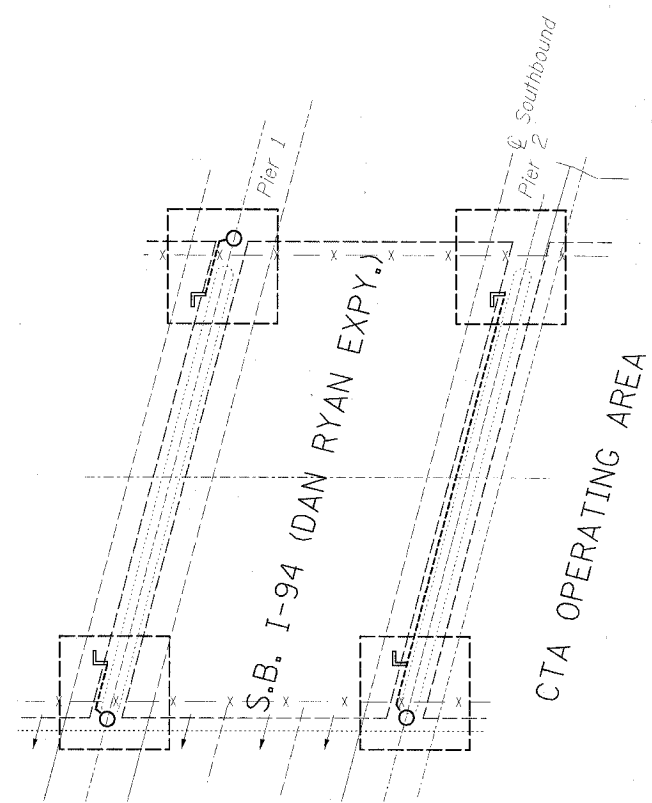
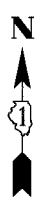
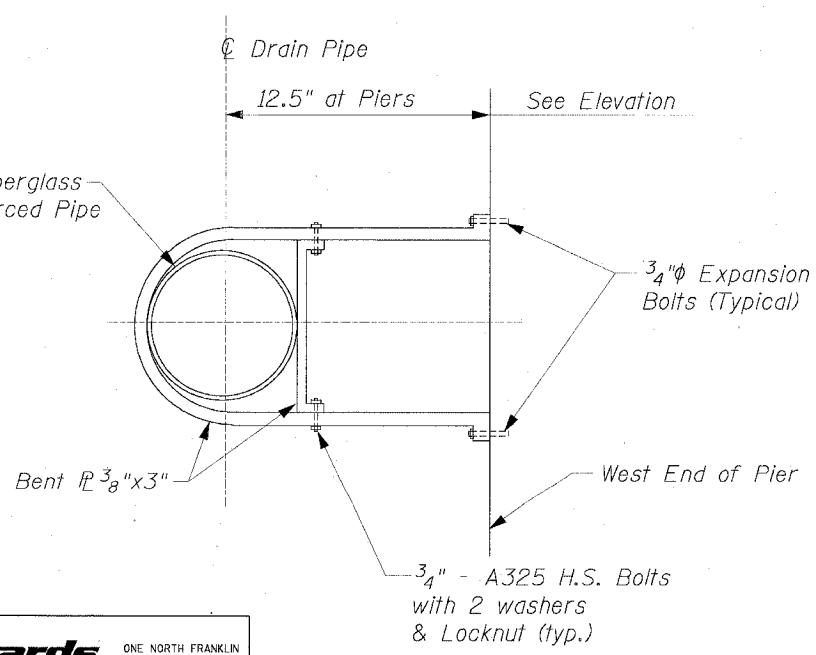


F.A.I. RTE.	SECTION	COUNTY	TOTAL SHEETS	SHEET NO.
94/90		COOK	598	226A
STA.	TO STA.			
FED. ROAD DIST. NO.	ILLINOIS	FED. AID PROJECT		
62302		1818, ETC, 2324,6-1PJR-9		



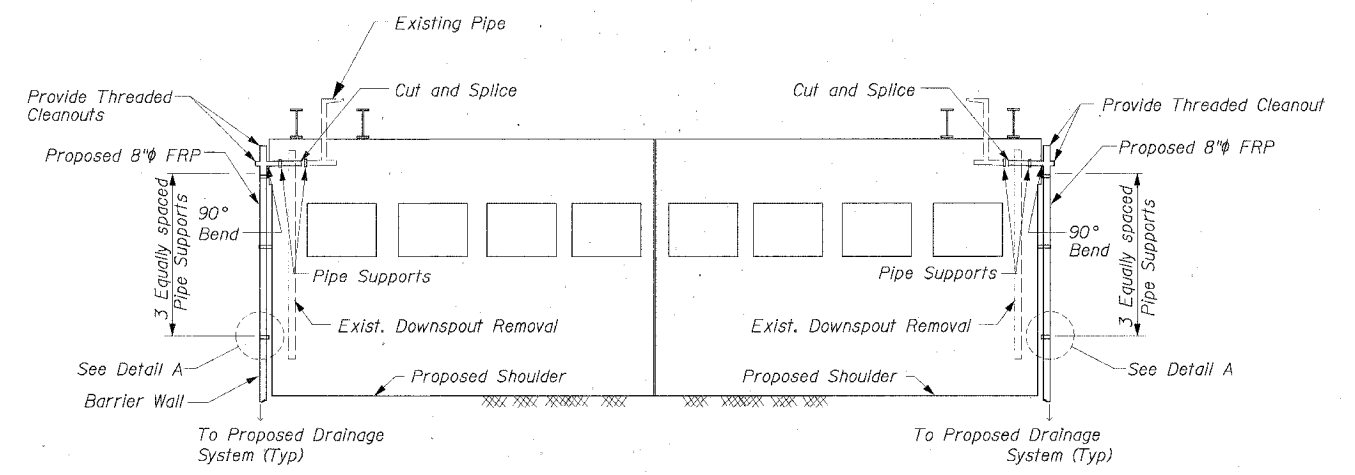
PLAN



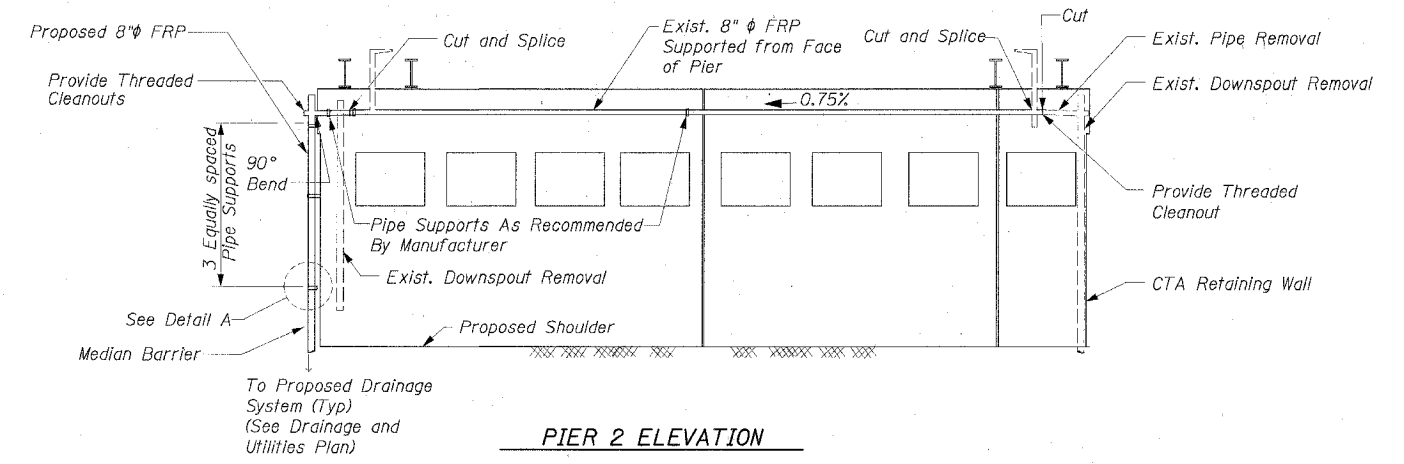
DETAIL A

NOTES:

1. This work paid for as 'Drainage System' Lump Sum.
2. All cast iron parts shall be gray iron conforming to the requirements of AASHTO M 105, Class 30.
3. Cost for Connection of Drainage Downspouts @ Piers to the proposed drainage structure is included with 'Drainage System'.
4. Cost for Supporting 8" ϕ FRP to be included with "Drainage System".



PIER 1 ELEVATION



PIER 2 ELEVATION

Edwards AND Kelcey
 ONE NORTH FRANKLIN
 CHICAGO, IL 60606
 PHONE: (312) 251-3000
 FAX: (312) 251-3015
 WEB: WWW.EKCORP.COM

REVISIONS	
NAME	DATE

ILLINOIS DEPARTMENT OF TRANSPORTATION
 F.A.I. 94/90 (DAN RYAN EXPRESSWAY)
 31ST STREET TO 71ST STREET
 SB EXPRESS LANE RECONSTRUCTION
 47TH ST. BRIDGE DOWNSPOUT RELOCATIONS

SCALE: N.T.S. DRAWN BY: LPN
 DATE: 7/7/05 CHECKED BY: PJM

06/28/05 11:05:08 AM