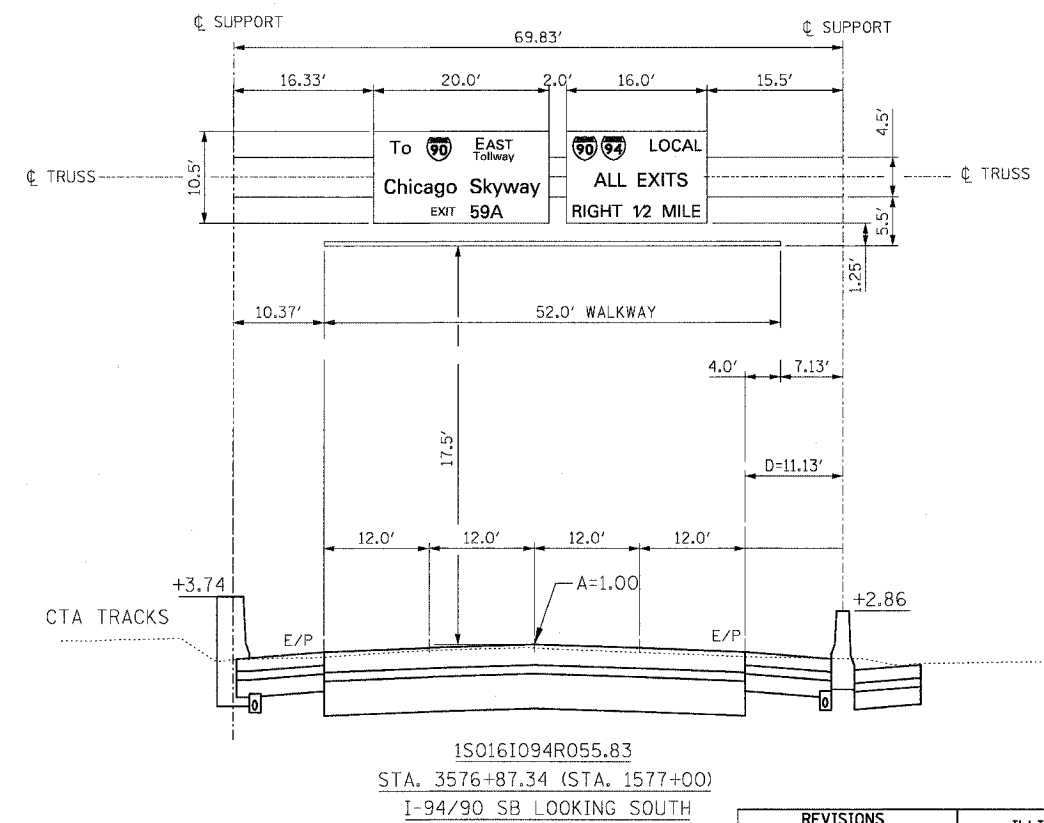
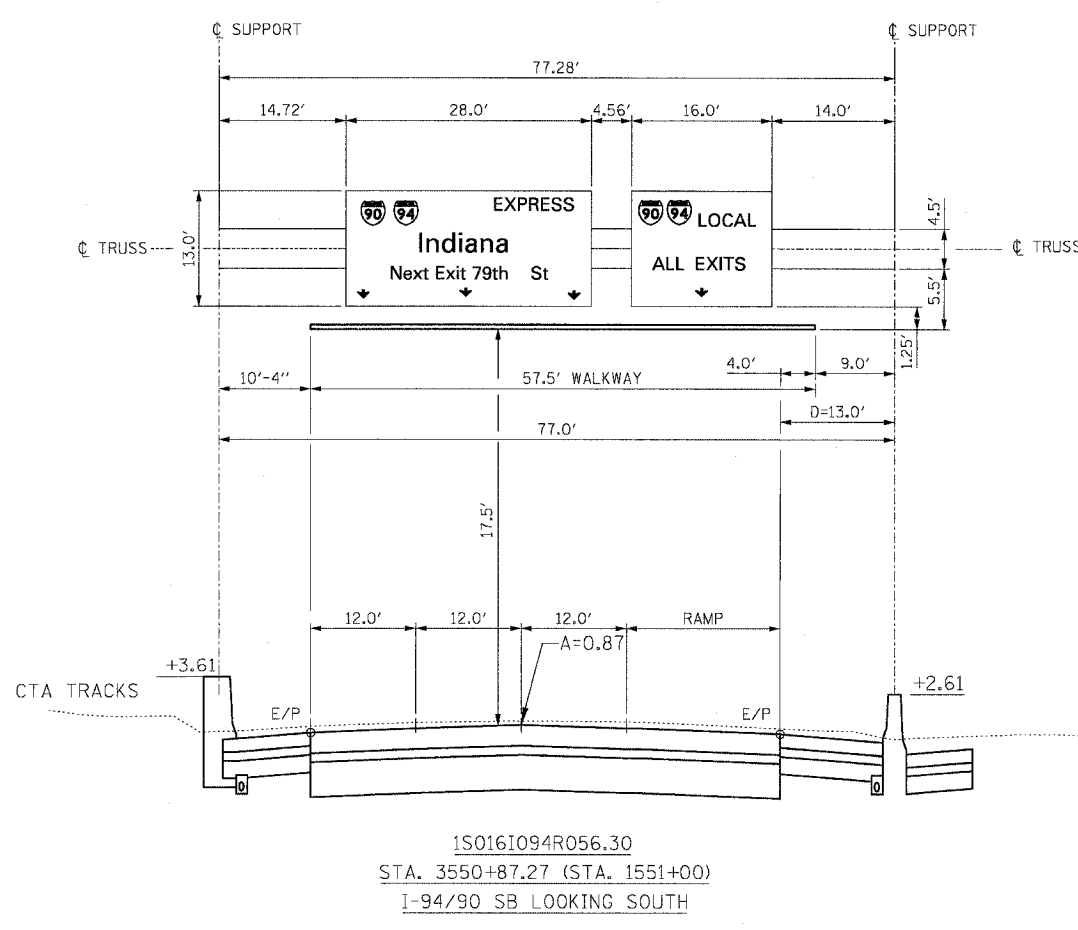
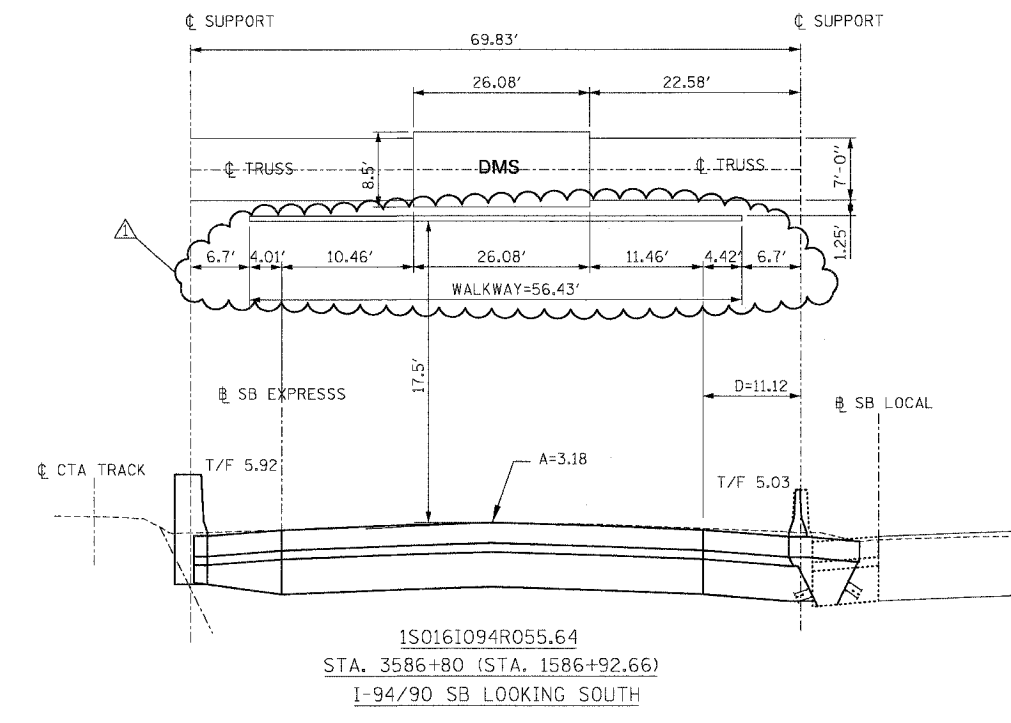
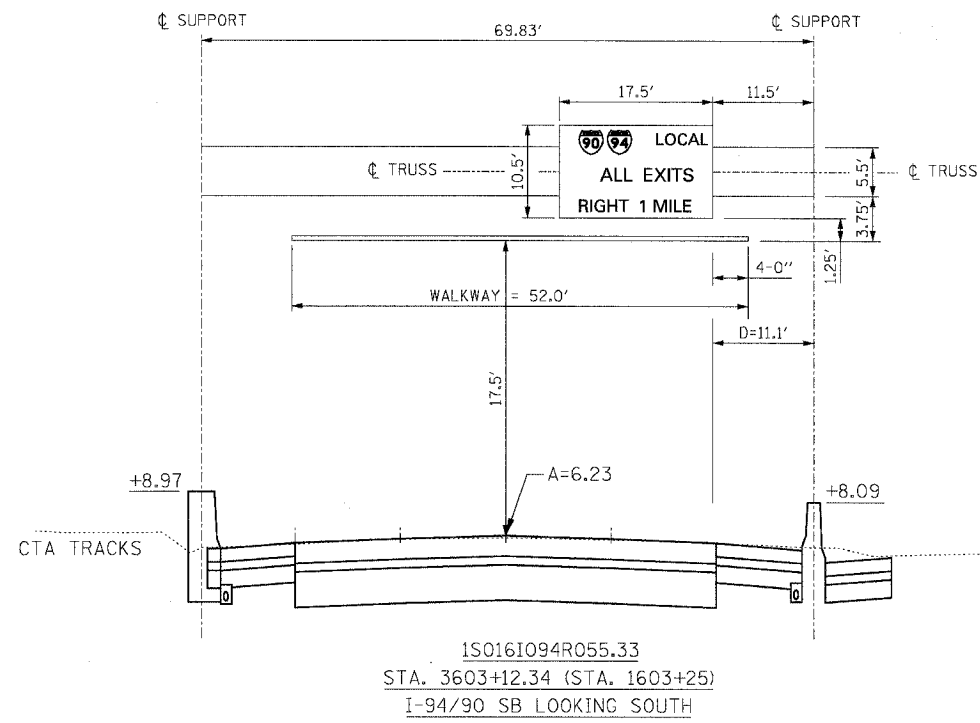


F.A.I.	SECTION	COUNTY	TOTAL SHEETS	SHEET NO.
94/90	*	COOK	598	303
TO STA.				
FED. ROAD DIST. NO. 1 ILLINOIS FED. AID PROJECT				
62302 * (1818, ETC, 2324.6-1) PR-9				



REVISIONS	
NAME	DATE
ADDENDUM 1	8/12/05

**K&E** KAM ENGINEERING, INC.  
CONSULTING ENGINEERS  
707A Davis Road, Suite 205  
Evanston, Illinois 60223-1369

ILLINOIS DEPARTMENT OF TRANSPORTATION  
F.A.I. 94/90 (DAN RYAN EXPRESSWAY)  
31ST STREET TO 71ST STREET  
SB EXPRESS LANE RECONSTRUCTION  
SIGN PLACEMENT DETAILS  
SCALE: NONE DRAWN BY: MD  
DATE: 07/07/05 CHECKED BY: MSA

8/10/2005 11:39:25 AM