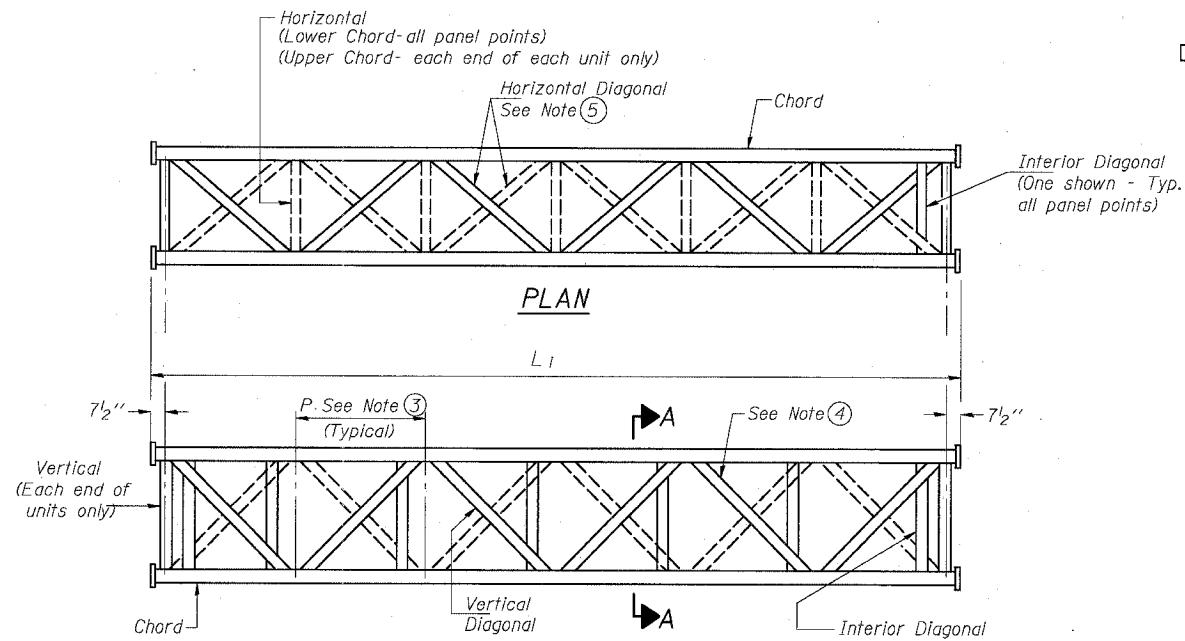


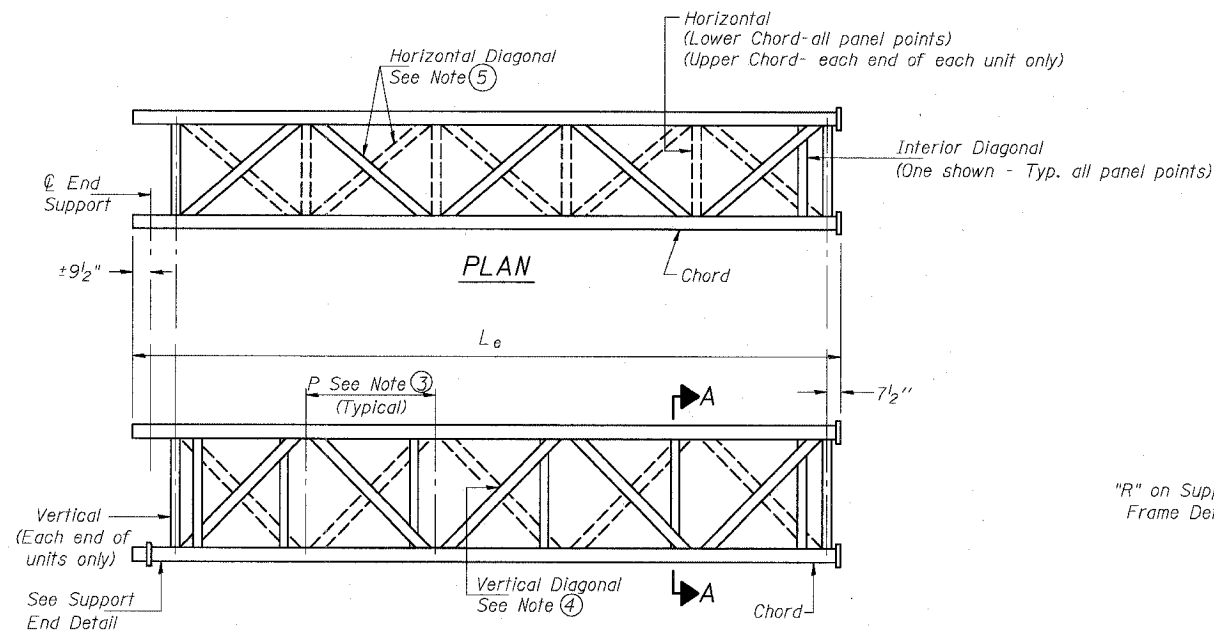
STATE OF ILLINOIS  
DEPARTMENT OF TRANSPORTATION

ROUTE NO.	SECTION	COUNTY	TOTAL SHEETS	SHEET NO.
94/90	*	COOK	598	308
FED. ROAD DIST. NO. 1		ILLINOIS	FED. AID PROJECT-	

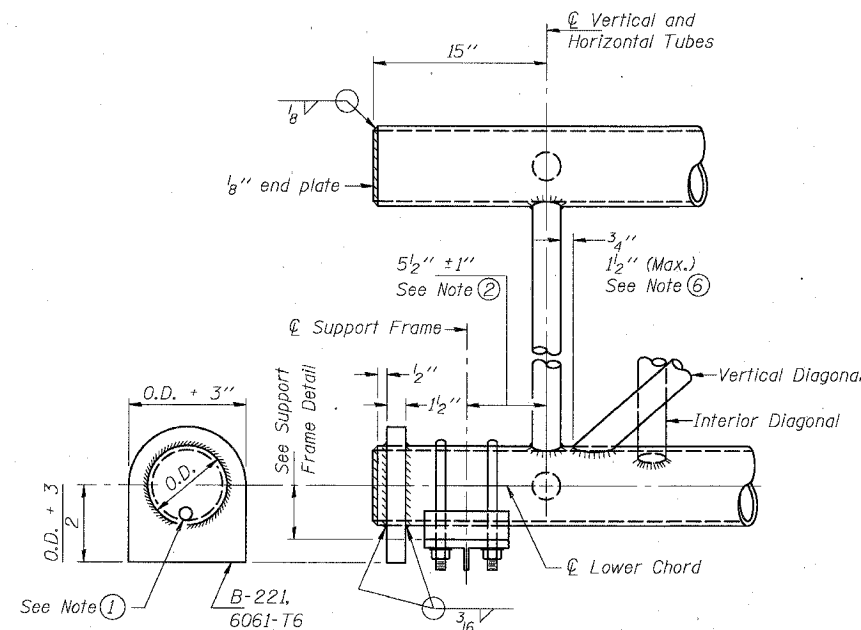
62302 \* (1818, ETC, 2324.6-1PIR-9



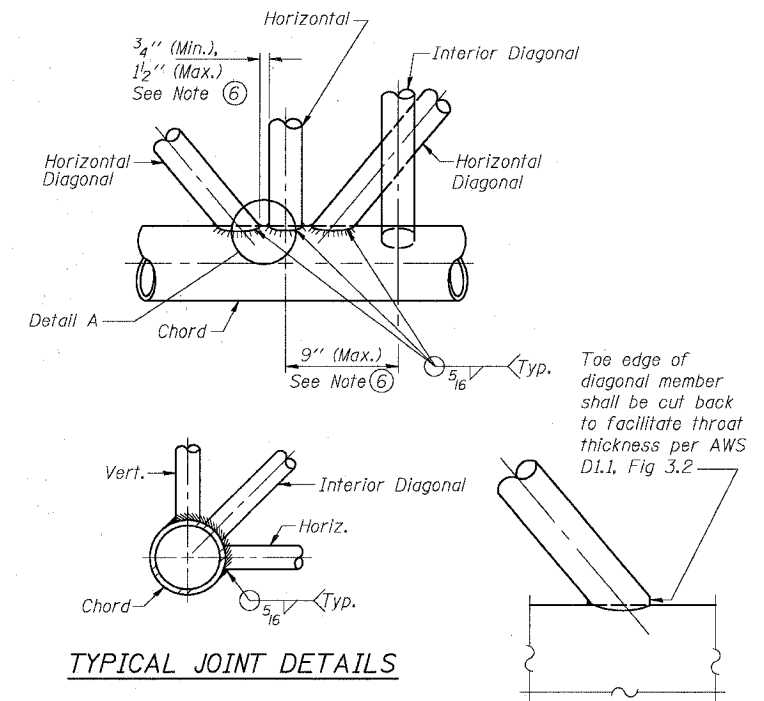
**ELEVATION  
TYPICAL INTERIOR UNIT**  
Even number of panels/interior unit required.



**ELEVATION  
TYPICAL EXTERIOR UNIT**  
Even or odd number of panels/exterior units allowed.



**SUPPORT END DETAIL FOR EXTERIOR UNIT**

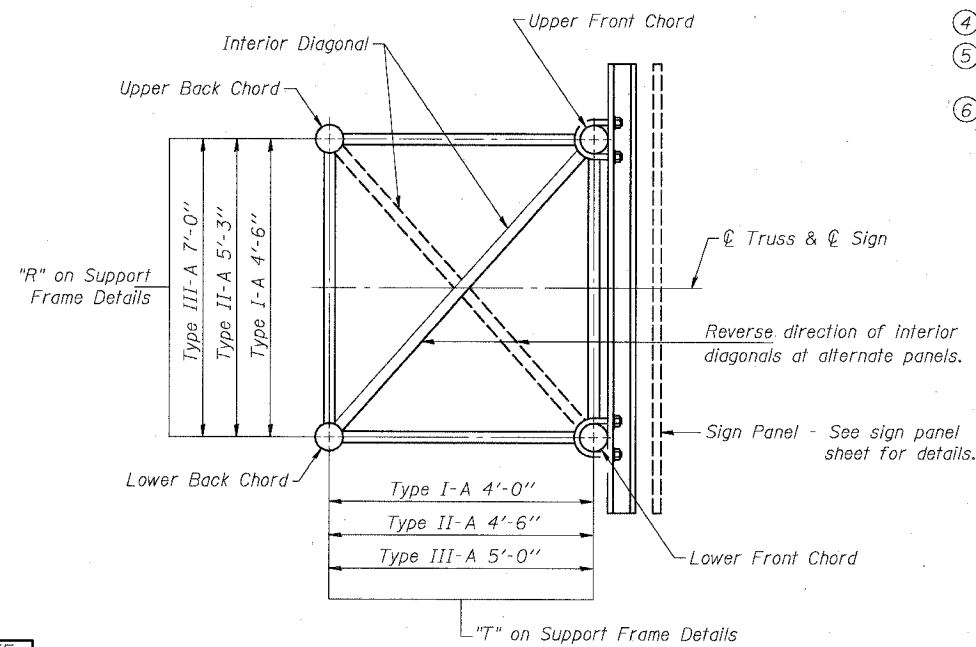


**TYPICAL JOINT DETAILS**

**DETAIL A**

**NOTES**

- Contractor may alternatively use standard aluminum drive-fit cap to close end. 1/2" diameter drain hole in end plate/drive-fit cap. (Typ. at ends of all chords)
- 5 1/2" end dimension may vary by +/- 1" to provide uniform panel spacing (P).
- Panel spacing (P) shall be uniform for entire truss and between 4'-0" and 5'-0" for Type I-A or 4'-0" and 5'-6" for Types II-A and III-A.
- Vertical Diagonals in front and back face shall alternate.
- Hidden lines show wind bracing alternates direction between planes of top and bottom chords.
- All diagonals shall be detailed for minimum offset from the panel point based on the following: Offset shall be such as to provide a 3/4" minimum to 1 1/2" maximum clearance between any diagonal and any horizontal or vertical member, and to provide clearance for U-bolt connections of signs or walkway brackets.



**SECTION A-A**

DESIGNED	MSA
CHECKED	AS
DRAWN	MD
CHECKED	MSA

EXAMINED	20
PASSED	ENGINEER OF STRUCTURAL SERVICES
	ENGINEER OF BRIDGES AND STRUCTURES

NUMBER	REVISION	DATE

OS-A-2 11/1/2002

SGN-11

OVERHEAD SIGN STRUCTURES  
ALUMINUM TRUSS DETAILS  
FOR TRUSS TYPES I-A, II-A and III-A  
ILLINOIS DEPARTMENT OF TRANSPORTATION  
F.A.I. 94/90 (DAN RYAN EXPRESSWAY)  
31ST STREET TO 71ST STREET  
SB EXPRESS LANE RECONSTRUCTION  
OVERHEAD SIGN STRUCTURES