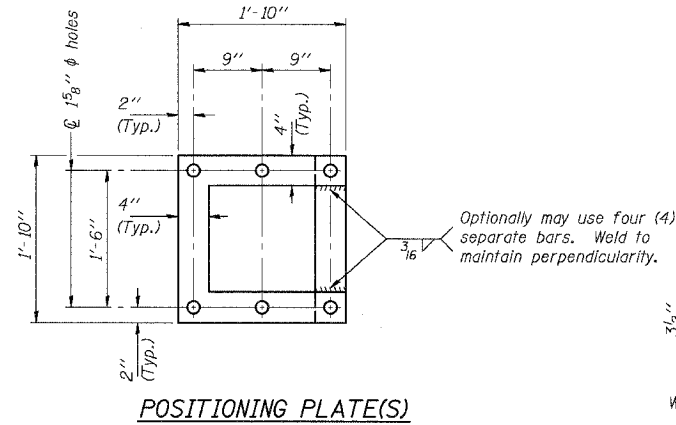
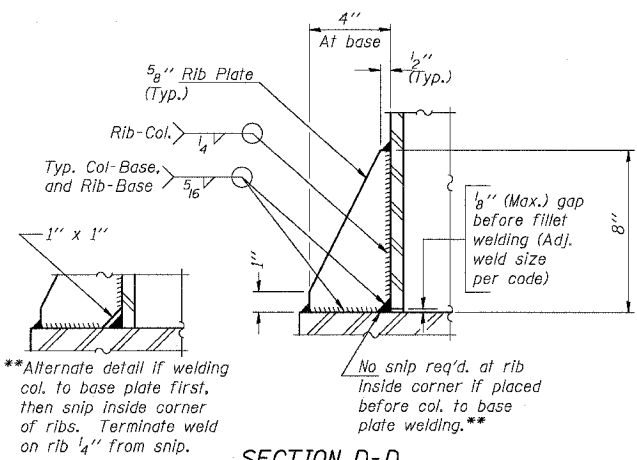
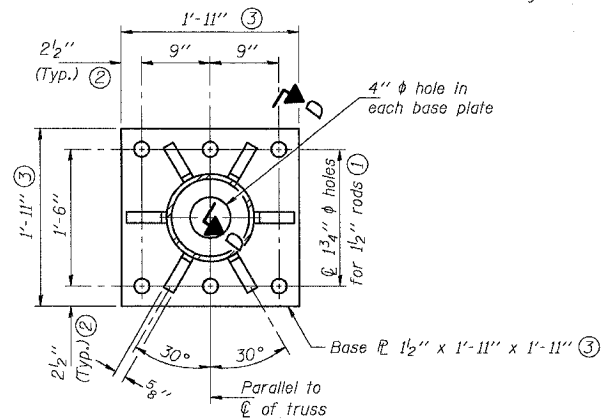
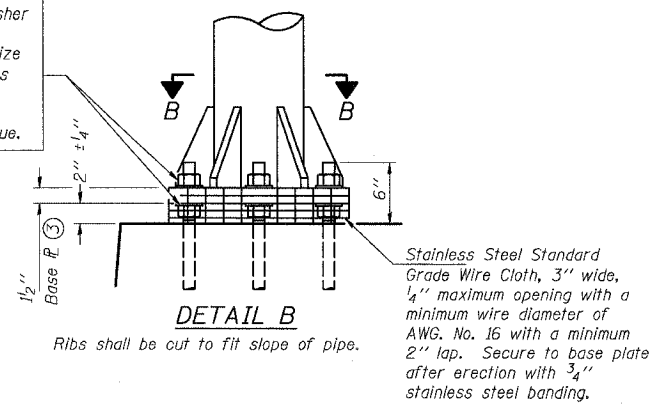


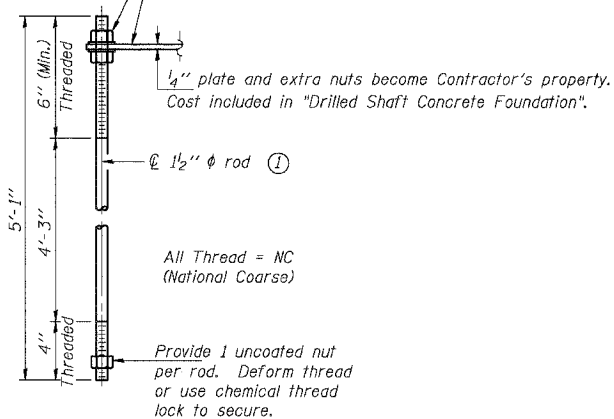
STATE OF ILLINOIS
DEPARTMENT OF TRANSPORTATION

ROUTE NO.	DISTRICT	COUNTY	TOTAL SHEETS	SHEET NO.
94/90		COOK	598	316
FED. ROAD DIST. NO. 1	ILLINOIS	FED. AID PROJECT-		
62302 *1818, ETC, 2324.6-1PR-9				

Hexagon locknut and washer (top), leveling nut and washer (bottom). Galvanize per AASHTO M232. Nuts shall each be tightened against base plate with 200 lb.-ft. minimum torque.



At each location, provide 1/4" thick positioning plate(s) and six (6) additional nuts to be used with leveling nuts to maintain anchor bolts position during concrete placement.



ANCHOR ROD DETAIL

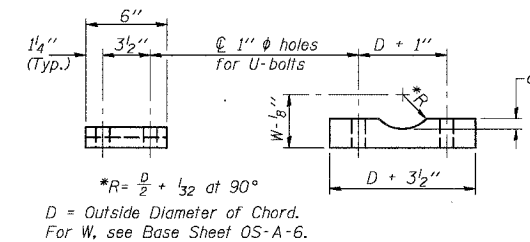
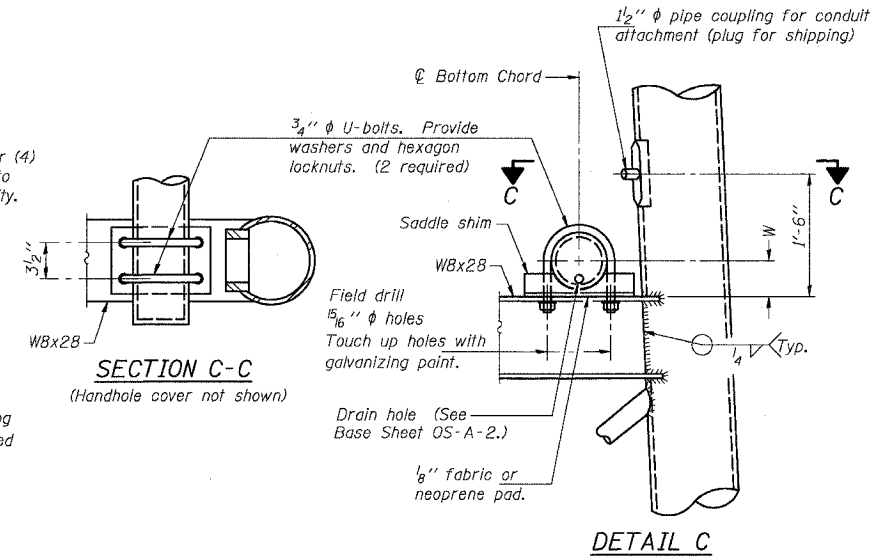
Anchor rods shall conform to AASHTO M314 Grade 36 or 55 and meet Charpy V-Notch (CVN) energy of 15 lb.-ft. at 40° F. Galvanize upper 12" per AASHTO M232. No welding shall be permitted on rods.

TYPE III-A TRUSS

12" ϕ PIPE SUPPORT FRAME DETAILS

Notes: For Type III-A Truss spans greater than 150 ft. and up to 160 ft.:

- ① 1 3/4" ϕ rod, 2" ϕ holes
- ② 2 3/4" edge distance
- ③ Base ϕ 1 5/8" x 1'-11 1/2" x 1'-11 1/2"



Truss Chord Nominal Dia.	a
7"	1"
8 1/2"	1 1/4"
9"	1 3/8"

SADDLE SHIM DETAIL

ASTM B26 Alloy 356-F
or
ASTM B209 Alloy 6061-T651
(4 required per sign truss)

NUMBER	REVISION	DATE

DESIGNED	SL
CHECKED	AS
DRAWN	MD
CHECKED	SL

EXAMINED	20
PASSED	

ENGINEER OF STRUCTURAL SERVICES
ENGINEER OF BRIDGES AND STRUCTURES

OS4-A-8aA 11/1/2002

ADDENDUM 1 8/12/05

SGN-19

OVERHEAD SIGN STRUCTURES
SUPPORT FRAME for TYPE III-A ALUMINUM TRUSS

ILLINOIS DEPARTMENT OF TRANSPORTATION
F.A.I. 94/90 (DAN RYAN EXPRESSWAY)
31ST STREET TO 71ST STREET
SB EXPRESS LANE RECONSTRUCTION

OVERHEAD SIGN STRUCTURES